



Features

- Formerly a JENSEN DEVICES product
- High insulation resistance
- Quick response, long service life
- Available DC breakdown range: 2.4 kV to 7.2 kV
- Wide operating temperature range
- RoHS compliant*

Applications


- Street lighting
- Medical devices (low/medium risk)**
- Air conditioning
- Power supplies
- Projectors
- Welders

SA2 Series High Voltage Gas Discharge Tube

Description

Bourns® SA2 Series two-electrode High Voltage Gas Discharge Tube devices are designed for high isolation applications. The series offers high insulation resistance over a wide temperature range and is offered with DC breakdowns from 2.4 kV to 7.2 kV. Other customized voltages between 2 kV and 7.2 kV are available upon request.

Agency Recognition

| Agency | Category | Agency File No. |
|--|----------|-----------------|
|  UL | UL 1449 | E313168 |

Additional Information

Click these links for more information:



Electrical Characteristics

| Part No. | Device Specifications | | | | | | | | | Life Ratings | | |
|------------------|--------------------------------|------|------|----------------|-------------------|------------|---------------------------------|-----------------------|---------------------|---------------------------|---|------------------------------|
| | DC Breakdown Voltage @ 500 V/s | | | | Impulse Breakdown | Ramp | Insulation Resistance @ 250 Vdc | Arc Voltage @ 5A min. | Capacitance @ 1 MHz | Nominal Impulse Discharge | | Nom. DC Breakdown After Life |
| | Min. | Typ. | Max. | Tol. | Max. | Typ. | Min. | Typ. | Max. | 1 Operation | 10 Operations | |
| SA2-2400-Dxx-STD | 2040 | 2400 | 2880 | -15 % to +20 % | 3800 V | @1 kV/μs | 10 G Ohm | 20 V | 1 pF | 10 kA, 8/20 μs | 5 kA, 8/20 μs, ±5 operations in each polarity | >2.0 kV |
| SA2-2400-Cxx-STD | 1920 | 2400 | 2880 | -20 % to +20 % | | >1.9 kV | | | | | | |
| SA2-3000-Dxx-STD | 2550 | 3000 | 3600 | -15 % to +20 % | 4500 V | @7.5 kV/μs | | | | | | >2.4 kV |
| SA2-3000-Cxx-STD | 2400 | 3000 | 3600 | -20 % to +20 % | | >2.3 kV | | | | | | |
| SA2-3600-Dxx-STD | 3060 | 3600 | 4320 | -15 % to +20 % | 5400 V | @7.5 kV/μs | | | | | | >3.0 kV |
| SA2-3600-Cxx-STD | 2880 | 3600 | 4320 | -20 % to +20 % | | >2.8 kV | | | | | | |
| SA2-4000-Dxx-STD | 3400 | 4000 | 4800 | -15 % to +20 % | 6000 V | @7.5 kV/μs | | | | | | >3.3 kV |
| SA2-4000-Cxx-STD | 3200 | 4000 | 4800 | -20 % to +20 % | | >3.1 kV | | | | | | |
| SA2-5500-Dxx-STD | 4675 | 5500 | 6600 | -15 % to +20 % | 8000 V | @7.5 kV/μs | | | | | | >4.4 kV |
| SA2-5500-Cxx-STD | 4400 | 5500 | 6600 | -20 % to +20 % | | >4.2 kV | | | | | | |
| SA2-5900-Dxx-STD | 5015 | 5900 | 7080 | -15 % to +20 % | 8000 V | @7.5 kV/μs | | | | | | >4.9 kV |
| SA2-5900-Cxx-STD | 4720 | 5900 | 7080 | -20 % to +20 % | | >4.6 kV | | | | | | |
| SA2-6000-Dxx-STD | 5100 | 6000 | 7200 | -15 % to +20 % | 8000 V | @7.5 kV/μs | | | | | | >5.0 kV |
| SA2-6000-Cxx-STD | 4800 | 6000 | 7200 | -20 % to +20 % | | >4.7 kV | | | | | | |
| SA2-6200-Dxx-STD | 5270 | 6200 | 7440 | -15 % to +20 % | 8000 V | @7.5 kV/μs | | | | | | >5.2 kV |
| SA2-6200-Cxx-STD | 4960 | 6200 | 7440 | -20 % to +20 % | | >4.9 kV | | | | | | |
| SA2-6300-Dxx-STD | 5355 | 6300 | 7560 | -15 % to +20 % | 9200 V | @7.5 kV/μs | | | | | | >5.3 kV |
| SA2-6300-Cxx-STD | 5040 | 6300 | 7560 | -20 % to +20 % | | >5.0 kV | | | | | | |
| SA2-7200-Dxx-STD | 6120 | 7200 | 8640 | -15 % to +20 % | 10000 V | @1 kV/μs | | | | | | >6.3 kV |
| SA2-7200-Cxx-STD | 5760 | 7200 | 8640 | -20 % to +20 % | | >6.0 kV | | | | | | |

Note: Model SA2-7200 specification is based on the customer providing sufficient encapsulation/working environment for the component to avoid outside surface breakdown (e.g., non-contaminated equivalent surface in RH 40 % reaches breakdown at 10-12 kV).

* RoHS Directive 2015/863, Mar 31, 2015 and Annex.

** Bourns® products have not been designed for and are not intended for use in "lifesaving," "life-critical" or "life-sustaining" applications nor any other applications where failure or malfunction of the Bourns® product may result in personal injury or death. See Legal Disclaimer Notice <http://www.bourns.com/docs/legal/disclaimer.pdf>.

Specifications are subject to change without notice.

Users should verify actual device performance in their specific applications.

The products described herein and this document are subject to specific legal disclaimers as set forth on the last page of this document, and at www.bourns.com/docs/legal/disclaimer.pdf.

SA2 Series High Voltage Gas Discharge Tube



Product Characteristics

| | |
|-----------------------------------|-------------------|
| Operating Temperature Range | -40 °C to +125 °C |
| Storage Temperature Range | -65 °C to +125 °C |
| Device Plating..... | Matte-Sn |
| Moisture Sensitivity Level..... | 1 |
| ESD Classification (HBM)..... | 6 |

Environmental Characteristics

| Section | Category | Test | Condition |
|-------------------------|-----------------|------------------------------|--|
| IEC 60068-2-13 test M | Operational | Low Air Pressure | Temp. +55 °C, Time 0.5 Sec., Pressure 600 hPa |
| IEC 60068-2-1, test Ab | Non-Operational | Cold | -40 °C, 96 Hours |
| IEC 60068-2-2, test Bb | | Dry Heat | +100 °C, 96 Hours |
| IEC 60068-2-30, test Ca | | Damp Heat, Steady State | +40 °C, 93 % RH, 21 Days |
| IEC 60068-2-14, test Na | | Rapid Change in Temperature | Upper Temp. +100 °C, Lower Temp. -40 °C, 5 Cycles |
| IEC 60068-2-6, test Fc | | Vibration | 10-55 Hz, 30 Min. per Axis, Double Amplitude 0.70 Min. |
| IEC 60068-2-27, test Ea | | Shock Test | 30 g, 11 ms, Half Sine Pulse |
| IEC 60068-2-20, test Ta | | Solderability | Method 1, +235 °C, 2 Sec., Aging |
| IEC 60068-2-20, test Tb | | Resistance to Soldering Heat | Method 1A, +260 °C, 5 Sec. |
| IEC 60068-2-21 | | Robustness of Terminations | Ua1 (Tensile), Ua2 (Thrust), Ub (Bending) and Uc (Torsion) |

How to Order

SA 2 - nnnn - x x x - STD

Series Designator _____

No. of Electrodes _____
2 = 2 Electrodes

Breakdown Voltage _____
 2400 = 2400 V 5900 = 5900 V
 3000 = 3000 V 6000 = 6000 V
 3600 = 3600 V 6200 = 6200 V
 4000 = 4000 V 6300 = 6300 V
 5500 = 5500 V 7200 = 7200 V

Tolerance _____
 C = -20 % to +20 %
 D = -15 % to +20 %

Lead Shape _____
 B = Bent Leads*
 C = No Leads*
 K = Bent Leads with Kinks*
 K1 = Bent Leads with Kinks*
 L = Straight Leads**

Packaging _____
 B = Bulk
 T = Tape & Reel

Standard or Modified Product Indicator _____
 STD = Standard

Typical Part Marking

..... SA2-xxxx

* Available in bulk packaging only.

** Bulk packaging available for straight lead devices ≤3600 V. Devices >3600 V available in tape and reel only.

Specifications are subject to change without notice. Users should verify actual device performance in their specific applications. The products described herein and this document are subject to specific legal disclaimers as set forth on the last page of this document, and at www.bourns.com/docs/legal/disclaimer.pdf.

SA2 Series High Voltage Gas Discharge Tube

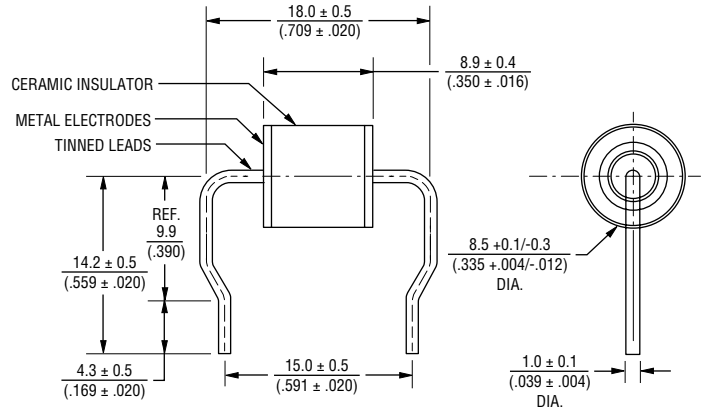
BOURNS®

Product Dimensions

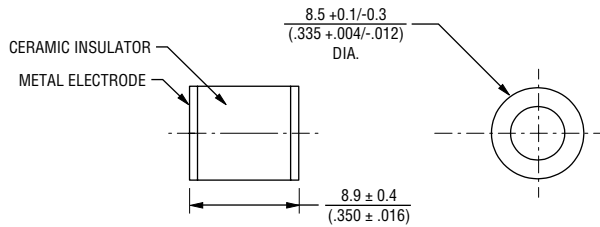
SA2-xxxx-xLx



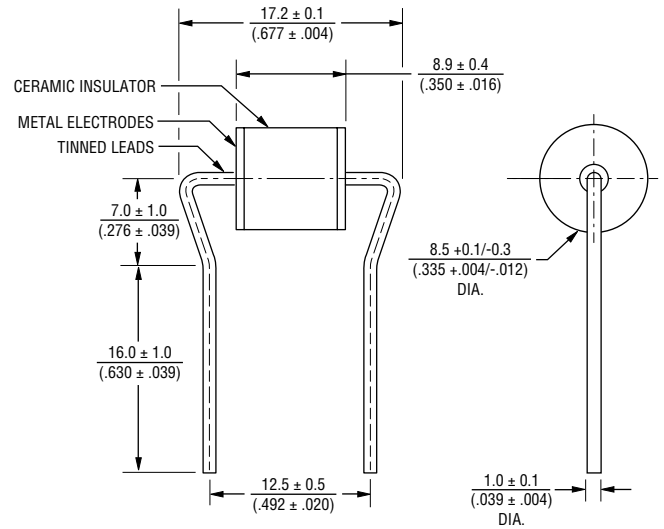
SA2-xxxx-xKx



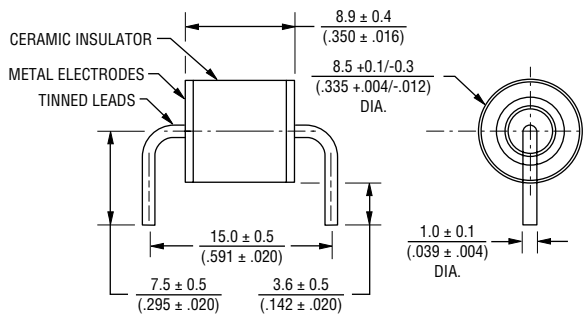
SA2-xxxx-xCx



SA2-xxxx-xK1x



SA2-xxxx-xBx



DIMENSIONS: $\frac{\text{MM}}{\text{(INCHES)}}$

Specifications are subject to change without notice.

Users should verify actual device performance in their specific applications.

The products described herein and this document are subject to specific legal disclaimers as set forth on the last page of this document, and at www.bourns.com/docs/legal/disclaimer.pdf.

SA2 Series High Voltage Gas Discharge Tube

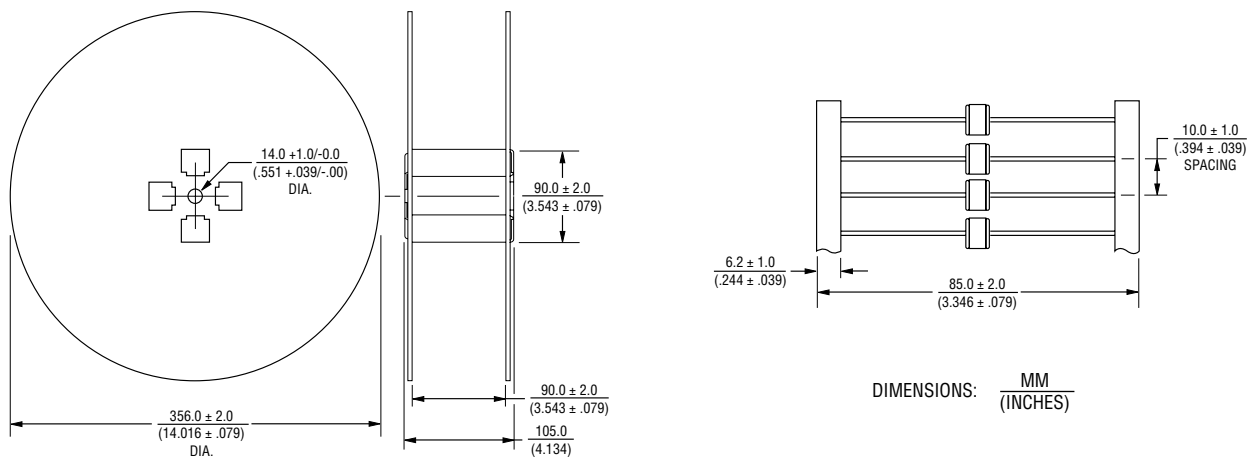
BOURNS®

Packaging Specifications

Model SA2-xxxx-xxB ships standard bulk pack, 1,000 pcs./bag*.
The optional tape and reel packaging contains 1,000 pcs./reel for Model SA2-xxxx-xLT.

* Straight leads versions >3600 V available in bulk or tape and reel packaging; all other models available in bulk packaging only.

SA2-xxxx-xLT



BOURNS®

Asia-Pacific: Tel: +886-2 2562-4117 • Email: asiacus@bourns.com

EMEA: Tel: +36 88 885 877 • Email: eurocus@bourns.com

The Americas: Tel: +1-951 781-5500 • Email: americus@bourns.com

www.bourns.com

REV. C 05/21

Specifications are subject to change without notice.

Users should verify actual device performance in their specific applications.

The products described herein and this document are subject to specific legal disclaimers as set forth on the last page of this document, and at www.bourns.com/docs/legal/disclaimer.pdf.