

Proximity Magnetic Sensors Rectangular Housing S Series

CARLO GAVAZZI



- Rectangular plastic housing
- NO, NC, CO, Bistable or Bistable CO output functions
- Side operated

Product Description

The standard proximity magnetic sensor series is characterized by a plastic rectangular housing; the sensor switching is side type. Several operating distances

may be obtained thanks to the wide range of magnetic units available. Two holes provided in the body allow an easy and fast mounting.

Ordering Key

S B 2 S 5

Type _____
 Output function _____
 Reed contact type _____
 Special version _____

Type Selection

Housing dimensions	Connection	Output function	Reference
79 X 21.2 X 11.5	PVC cable L= 0.5m	NO	SA 2
79 X 21.2 X 11.5	PVC cable L= 0.5m	NO	SA 8
79 X 21.2 X 11.5	PVC cable L= 0.5m	NC	SC 2
79 X 21.2 X 11.5	PVC cable L= 0.5m	NC	SC 8
79 X 21.2 X 11.5	PVC cable L= 0.5m	CO	SS 2
79 X 21.2 X 11.5	PVC cable L= 0.5m	Bistable	SB 2
79 X 21.2 X 11.5	PVC cable L= 0.24m	Bistable	SB 2 S5
79 X 21.2 X 11.5	PVC cable L= 0.5m	Bistable CO	SBS 2

Dimensions are specified in millimeters (mm)

Output Specifications

Output SA2, SA8 SC2, SC8 SS2 SB2, SB2S5 SBS2	NO NC Change-over Bistable Bistable Change-over
Contact ratings Max Switching Voltage SA2, SC2, SB2, SB2S5 SA8, SC8 SS2, SBS2	250 VAC 1500 VAC 230 VAC
Max Switching Current SA2, SC2, SB2, SB2S5 SA8, SC8 SS2, SBS2	3 A 3 A 1 A
Max Switching Power SA2, SC2, SB2, SB2S5 SA8, SC8 SS2, SBS2	100 VA 120 VA 60 VA

General Specifications

Operating distance	See Operating Distance table
Suitable magnetic unit	See Operating Distance table
Operating temperature	-25 to +75 °C
Degree of protection	IP 67
Housing Dimensions Material	79 x 21.2 x 11.5 mm Plastic
CE-marking	Yes

Operating Distance

Magnetic units	CL2	CL3	CL4	CL10	CL11	CL18	CL20S1	CL20S3	CL23	CL31
SA2, SA8, SS2	10	16	32	-	-	-	-	-	-	-
SC2, SC8	9/2*	15/3*	28/10*	-	-	-	-	-	-	-
SB2, SB2S5	8**	15**	30**	15***	30***	14***	30***	29***	18***	28***
SBS2	7**	-	-	5***	28***	12***	25***	24***	-	-

Distances are specified in millimeters (mm)

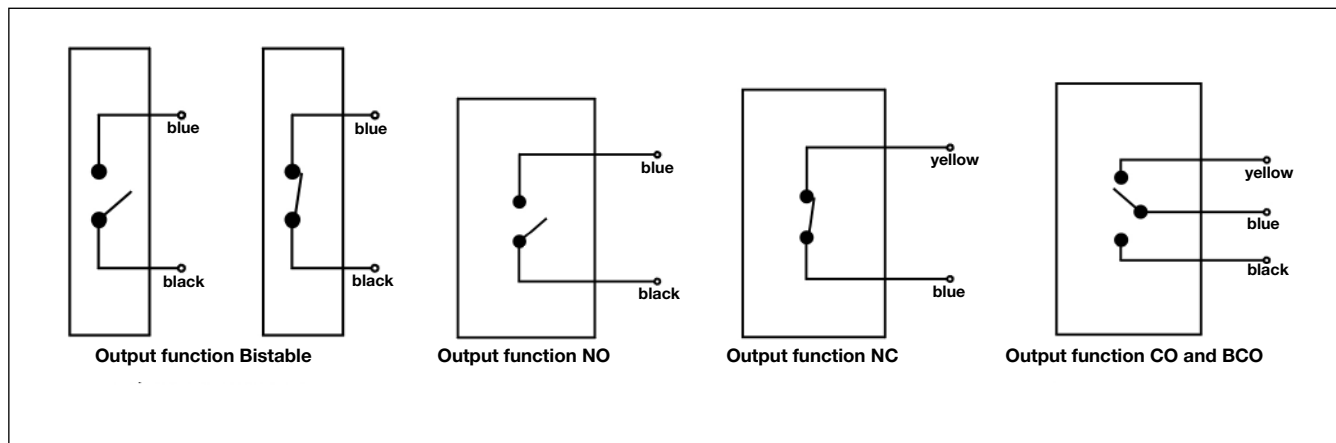
xx/xx: operating distance (for all Output functions); xx/xx*: reswitching contact distance.

Outside the above mentioned range, the sensor maintains the initial state.

** the magnetic unit must be installed perpendicular to the switch longitudinal axis.

*** the magnetic unit must be installed perpendicular to the switch upper surface.

Wiring Diagrams



Dimensions

