

MAXTENA[®]

WIRELESS INNOVATIONS COMPANY

SATFleet

Built by Maxtena and Powered by Maxtena's advanced antenna technology. The SATFleet combines two high performance antennas covering Iridium and GPS. It provides superior Voice and Data capabilities. Our fleet/telematics solution provides high, reliable performance in a rugged, low profile form factor.

Rev 1.2 | Issue Date: June 20th 2014





SATFleet

LOW PROFILE IRIDIUM/GPS FLEET ANTENNA

IRIDIUM VOICE/DATA, AND GPS

Maxtena's SATFleet Iridium/GPS fleet solution consists of two separate high performance antennas in one compact and secure housing: one helix Iridium enabling Voice and Data and one high gain active GPS antenna.

The SATFleet measures 2.4" (61mm) in width by 4.6" (116mm) in length with a peak height of 2" (50mm). By leveraging techniques in antenna miniaturization perfected in our other products, the SATFleet provides maximum performance in one of the most compact, easy to install form factors.

The Maxtena solution is designed for reliable Iridium network SBD application and provides superior call/voice quality. The low profile SATFleet is a screw mount antenna with a rugged IP67 rated housing and is ideal for the most demanding environmental challenges. The antenna provides outstanding performance for any telematics and fleet management application.

ABOUT MAXTENA

Maxtena Incorporated is the recognized global leader in developing and producing innovative antenna solutions. We are engaged in designing, manufacturing and marketing a comprehensive range of embedded, external and custom antenna solutions for GNSS (GPS, GLONASS, COMPASS, Galileo), M2M, MSS and LTE applications.

For more information: www.maxtena.com



APPLICATIONS:

Fleet Management/Circuit Switch Data/
Asset Tracking/Law Enforcement &
Public Safety/Heavy Machinery/Oil &
Gas

FEATURES:

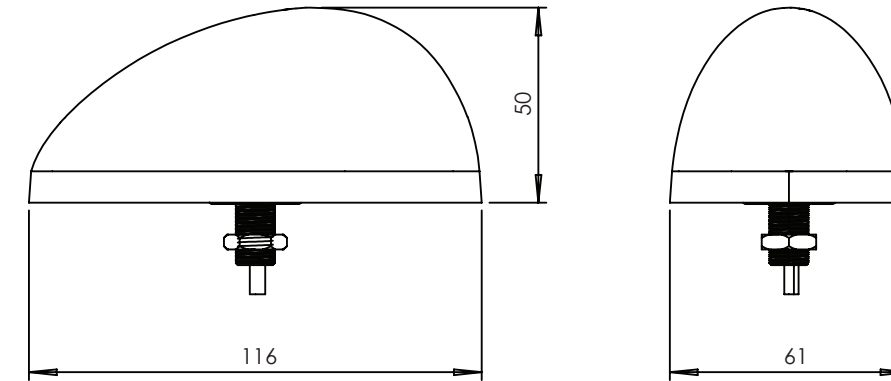
- Superior Iridium Voice/Data performance
- Iridium ground plane independent
- High performance helix Iridium antenna
- Active GPS antenna

ADVANTAGES:

- Iridium Certified
- Rugged IP-67 housing
- Low profile with screw mount
- Superb low elevation performance
- Low weight

Maxtena only uses ISO certified manufacturing partners.

MECHANICAL SPECIFICATIONS



Dimensions are in mm

PASSIVE IRIDIUM ANTENNA

Electrical Specifications

Parameter	Specification
Frequency	1621 MHz
Polarization	RHCP
Beamwidth	120 deg
Gain	1.5 dBic (typical) @ broadside
Axial ratio	1.5 dB (typical)
Impedance	50 Ohm

ACTIVE GPS ANTENNA

Electrical Specifications

Parameter	Specification
Frequency	1575.42 MHz
Polarization	RHCP
Antenna element peak gain	5.5 dBic
DC voltage	2.5 to 5 V
DC current	7 mA @ 2.5 V / 11 mA @ 3.5 V
Bandwidth (-1dB)	20 MHz
LNA network gain	34 dB @ 2.5 V / 34 dB @ 3.5 V
Axial ratio	1.5 dB (typical) / 2.5 dB (max)
VSWR	2 (max)
Impedance	50 Ohm

*Total gain requires a 70x70 mm ground plane

Waiver:

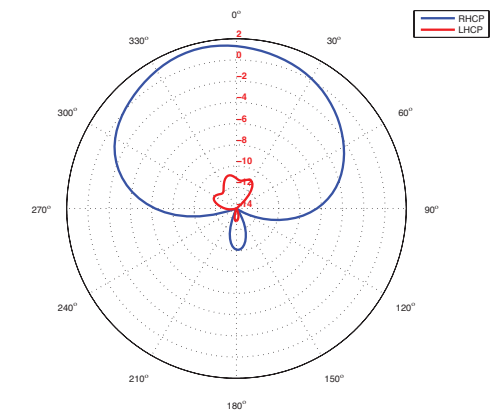
Fact and figures herein are for information only and do not represent any warranty of any kind. Specifications are subject to change without notice (01/2014).

ADDITIONAL SPECIFICATIONS

Cable type	RG 174 standard - customization on demand
Cable length	508 mm standard - customization on demand
Connector	SMA Plug (M) standard - customization on demand
Operating temp.	from -40°C to 85°C
Protection class	IP67 and UV Stable
Weight	117 grams
Dimensions (w x h x d)	61 x 50 x 116 mm
Mounting hole diameter	10.5 mm ± 0.2 mm
Max torque	4 Nm

REALIZED GAIN PLOT

Measured at 1621 MHz



REALIZED GAIN PLOT

Measured at 1575.42 MHz

