

PART NAME

SHADOW CABINET

PART No.

SB-2140 TO SB-2143

MATERIAL:

BOTTOM & BODY _____ 18 GA. STEEL
 FRONT & REAR PANELS _____ 16 GA. STEEL

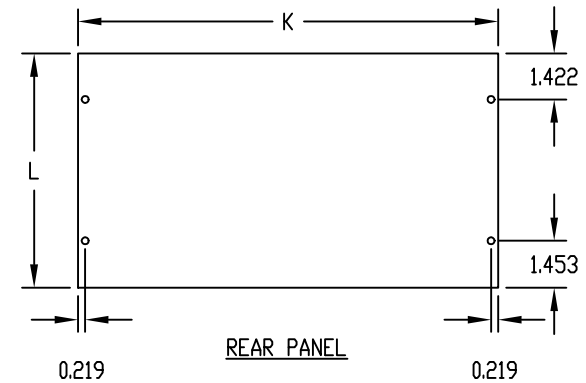
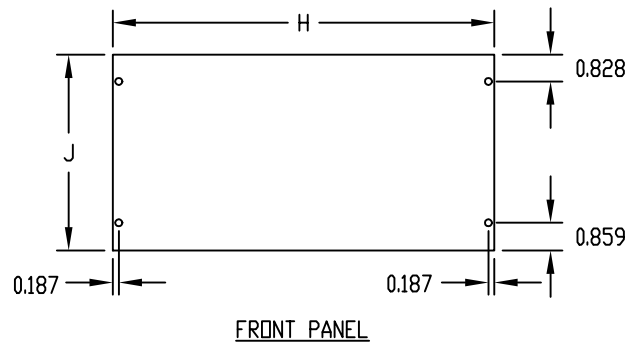
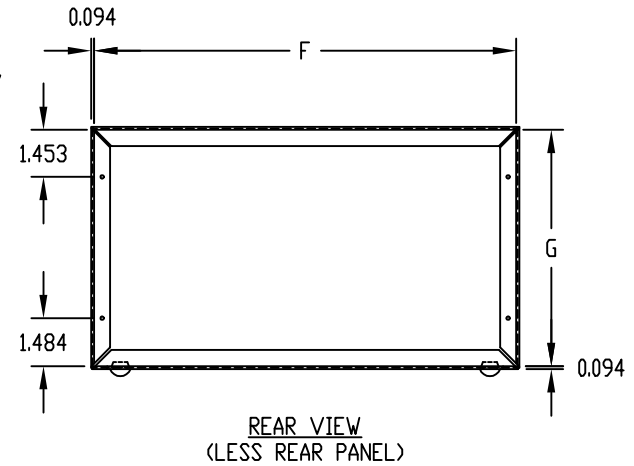
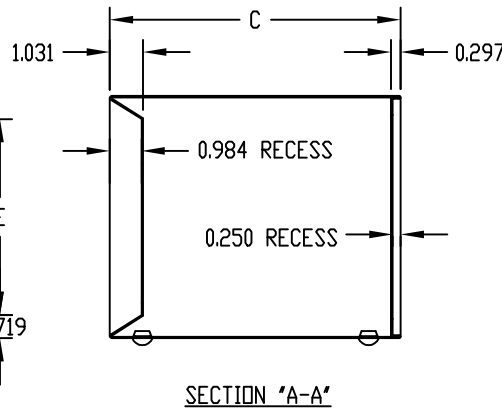
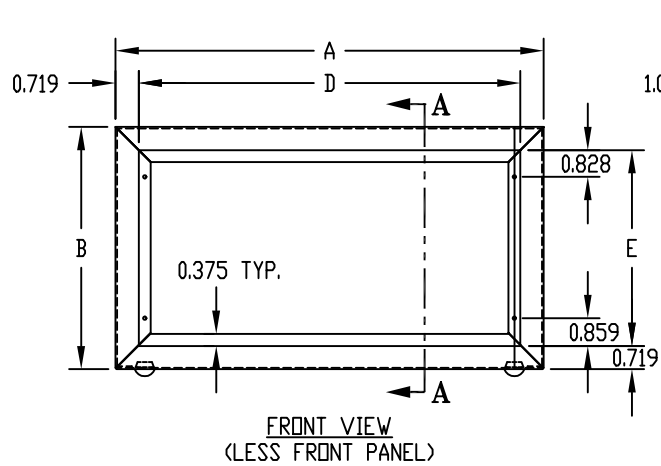
BOTTOM IS REMOVEABLE, ATTACHED WITH SIX (6) #6 x 1/4 LG. SHEET METAL SCREWS. (SUPPLIED)

PANELS ARE ATTACHED WITH EIGHT (8) #6 x 1/4 LG. SHEET METAL SCREWS. (SUPPLIED)

FINISH:

METALLIC GRAY

FOUR (4) RUBBER FEET. (SUPPLIED)



PART No.	OVERALL		PANEL SPACE				PANELS				CHASSIS	
	A	B	C	FRONT		REAR		FRONT		REAR		PART No.
				D	E	F	G	H	J	K	L	
SB-2140	14.250	8.000	10.000	12.812	6.562	14.062	7.812	12.812	6.562	14.000	7.750	AC-424
SB-2141	13.250	7.500	9.000	11.812	6.062	13.062	7.312	11.812	6.062	13.000	7.250	AC-407
SB-2142	17.000	9.500	11.000	15.562	8.062	16.812	9.312	15.562	8.062	16.750	9.250	AC-411
SB-2143	15.500	6.000	9.000	14.062	4.562	15.312	5.812	14.062	4.562	15.250	5.750	AC-409