



Mallory Sonalert Products, Inc.

Part #:

SBS12GMFL

Sales Outline Drawing

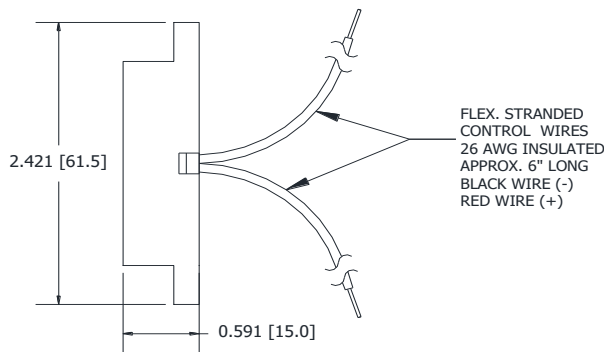
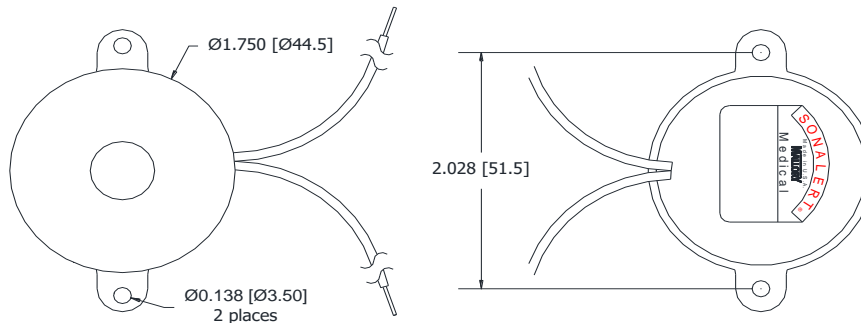
Revision:

C

Specifications:	cUL Recognized to IEC60601-1-8 AMD2:2020 General Melody - Medium Priority Only
Sound Level Category:	Extra Loud
Mode of Operation:	Medium Priority Alarm - 3 beeps repeating every 7.5 sec
Voltage Rating:	9 to 12 VDC
Frequency:	150 to 4000 Hz
Loudness @ 10cm:	95 to 105 dB(A) Typ.
Average Current Draw:	<300mA Typ.
Ipk Current*:	400mA
Housing Material:	ABS 777D Plastic Resin, Black
Storage Temperature:	-40° to +85° C
Operating Temperature:	-30° to +65° C
Weight Typical:	1.1 oz (32g)
Options:	Please contact factory.

Dimensions: Inches (mm) **cUL Recognized** **ROHS Compliant**

PATENT NUMBER: 7880593



*Ipk = Instantaneous Peak

tolerances: ±0.01 [±0.3]
±0.005 [±0.1]