



Mallory Sonalert Products, Inc.

Part #:

SBS12M0FL

Sales Outline Drawing

Revision:

J

Specifications:	cUL Recognized as capable of meeting Medical Spec IEC60601-1-8 AMD2:2020
Sound Level Category:	Extra Loud
Mode of Operation:	Continuous
Voltage Rating:	9 to 12 VDC
Frequency:	150 to 4000 Hz
Loudness @ 10cm:	95 to 105 dB(A) Typ.
Average Current Draw:	<300mA Typ.
Ipk Current*:	400mA
Housing Material:	ABS 777D Plastic Resin, Black
Storage Temperature:	-40° to +85° C
Operating Temperature:	-30° to +65° C
Weight Typical:	1.1 oz (32g)
Options:	Please contact factory.

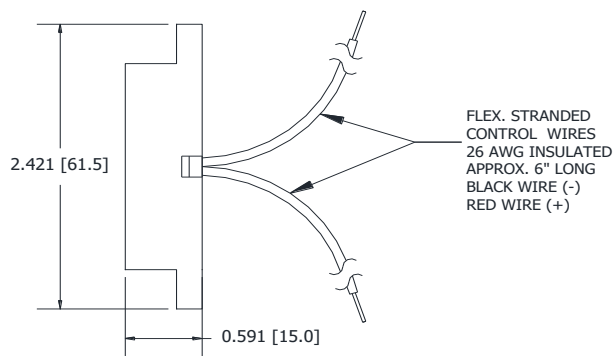
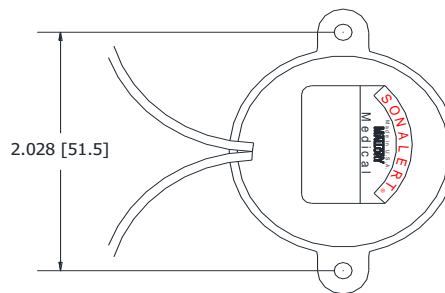
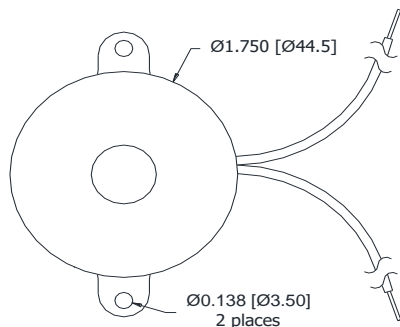
Dimensions: Inches (mm) **cUL Recognized** **ROHS Compliant**

PATENT NUMBER: 7880593

Before Code Date: 1546

Not cUL Recognized

After Code Date: 1547 cUL Recognized



*Ipk = Instantaneous Peak

tolerances: ± 0.01 [± 0.3]
 ± 0.005 [± 0.1]