



**Mallory Sonalert Products, Inc.**

Part #: **SBT12TLMCTPC**

**Sales Outline Drawing**

Revision: **F**

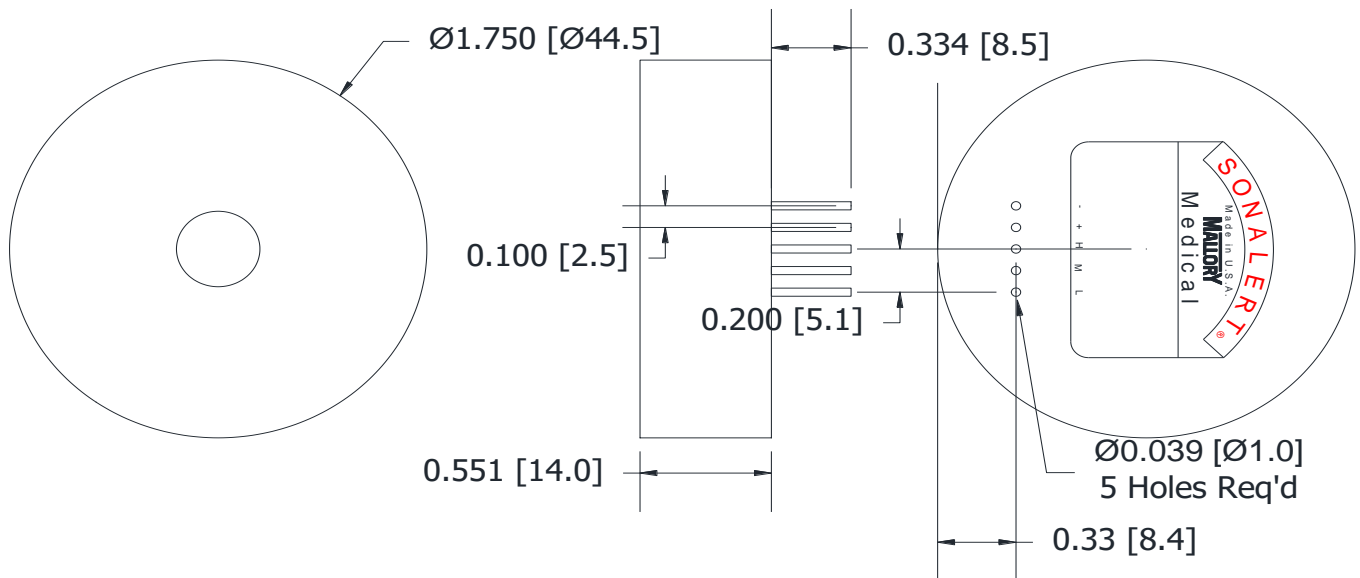
**Specifications:**

**cUL Recognized to IEC60601-1-8 AMD1  
Temp/Energy Delivery Melody**

| Sound Level Category:         | Silence   | Loud  | Loud   | Loud  |
|-------------------------------|---|---|--|---|
| Mode of Operation:            | Silence - NO SOUND - See Note 1                 | Low Priority Alarm - 2 beeps repeating every 20 sec | Medium Priority Alarm: 3 beeps repeating every 7.5 sec | Continuous  |
| Loudness @ 10cm:              | Silence   | 85 to 95 dB(A) Typ.                                 | 85 to 95 dB(A) Typ.                                    | 85 to 95 dB(A) Typ.                                 |
| Frequency:                    | Silence   | 150 to 4000 Hz                                      | 150 to 4000 Hz   | 2500 ± 300 Hz                                       |
| Connection:                   | Connect "+" to "+" & "-" to "-" of Power Supply | Connect "+" to "+" & "-" & L to "-" of Power Supply | Connect "+" to "+" & "-" & M to "-" of Power Supply    | Connect "+" to "+" & "-" & H to "-" of Power Supply |
| Voltage Rating:               | 9 to 12 VDC                                     |   |  |   |
| Average Current Draw:         | <15mA Typ.                                      | <15mA Typ.  | <15mA Typ.   | <25mA Typ.  |
| Ipk Current*:                 | 75mA  |   |  |   |
| Housing Material:             | ABS 777D Plastic Resin, Black                   |   |  |   |
| Storage Temperature:          | -40° to +85° C                                  |   |  |   |
| Operating Temperature:        | -30° to +65° C                                  |   |  |   |
| Weight Typical:               | 0.6 oz (17g)                                    |   |  |   |
| Options:                      | Please contact factory.                         |   |  |   |
| Condition by wave solder (°C) | 260 ± 5 within 5 sec                            |   |  |   |
| Condition by hand solder (°C) | 350 ± 20 within 5 sec                           |   |  |   |

**Dimensions:** Inches [mm] **cUL Recognized** **ROHS Compliant**

PATENT NUMBER: 7880593



Note 1: Not intended to be energized when alarm not in use.

\*Ipk = Instantaneous Peak

tolerances:  $\pm 0.01$  [ $\pm 0.3$ ]  
 $\pm 0.005$  [ $\pm 0.1$ ]