



Mallory Sonalert Products, Inc.

Part #: **SBT5TLMMP**

Sales Outline Drawing

Revision: **F**

Specifications:

**cUL Recognized to IEC60601-1-8 AMD1
Temp/Energy Delivery Melody**

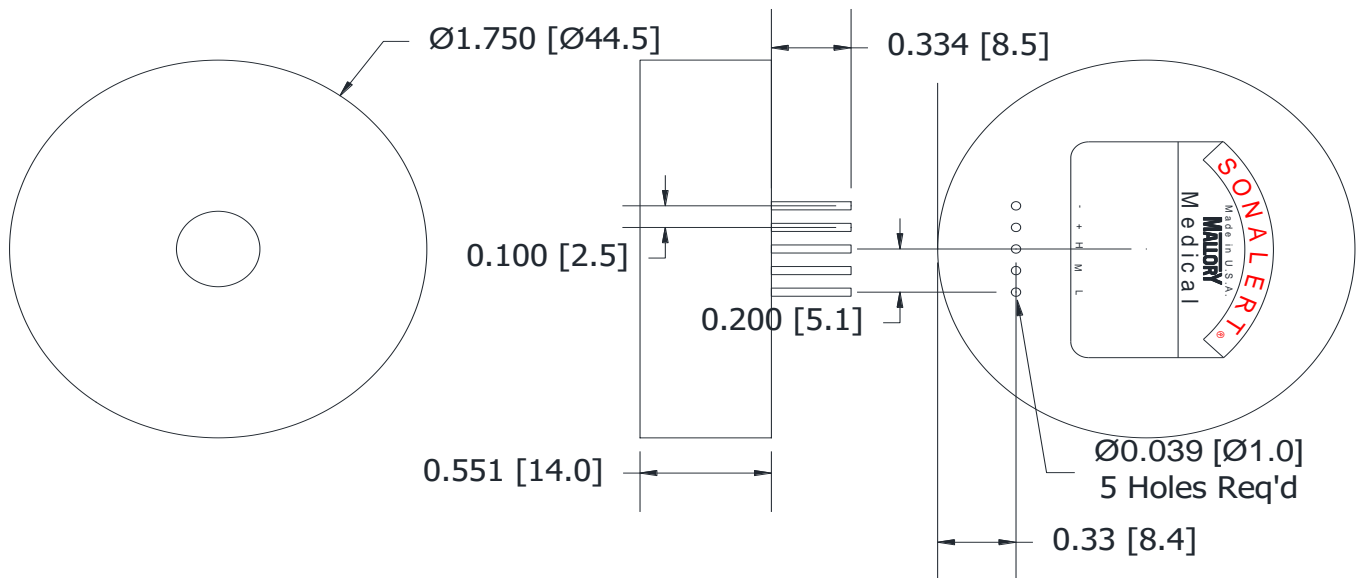
Sound Level Category:	Silence	Loud	Loud	Loud
Mode of Operation:	Silence - NO SOUND - See Note 1	Low Priority Alarm - 2 beeps repeating every 20 sec	Medium Priority Alarm: 3 beeps repeating every 7.5 sec	Medium Pulse @ 5PPS
Loudness @ 10cm:	Silence	85 to 95 dB(A) Typ.	85 to 95 dB(A) Typ.	85 to 95 dB(A) Typ.
Frequency:	Silence	150 to 4000 Hz	150 to 4000 Hz	2500 ± 300 Hz
Connection:	Connect "+" to "+" & "-" to "-" of Power Supply	Connect "+" to "+" & "-" & L to "-" of Power Supply	Connect "+" to "+" & "-" & M to "-" of Power Supply	Connect "+" to "+" & "-" & H to "-" of Power Supply
Voltage Rating:	3.3 to 5 VDC			
Average Current Draw:	<15mA Typ.	<15mA Typ.	<15mA Typ.	<30mA Typ.
Ipk Current*:	300mA			
Housing Material:	ABS 777D Plastic Resin, Black			
Storage Temperature:	-40° to +85° C			
Operating Temperature:	-30° to +65° C			
Weight Typical:	0.6 oz (17g)			
Options:	Please contact factory.			
Condition by wave solder (°C)	260 ± 5 within 5 sec			
Condition by hand solder (°C)	350 ± 20 within 5 sec			

Dimensions: Inches [mm]

cUL Recognized

ROHS Compliant

PATENT NUMBER: 7880593



Note 1: Not intended to be energized when alarm not in use.

*Ipk = Instantaneous Peak

tolerances: ± 0.01 [± 0.3]
 ± 0.005 [± 0.1]