



Mallory Sonalert Products, Inc.

Part #: **SBT5VMHMPPC**

Sales Outline Drawing

Revision: **E**

Specifications:

cUL Recognized to IEC60601-1-8 AMD1

Ventilation Melody

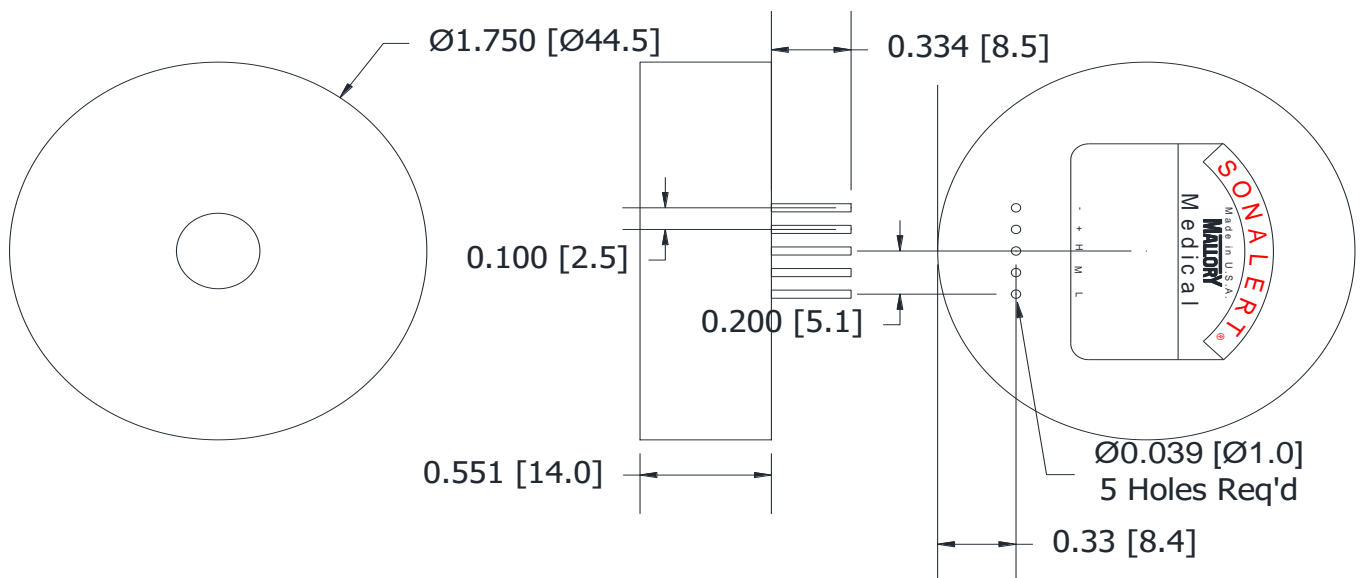
| Sound Level Category: | Silence | Loud | Loud | Loud |
|-------------------------------|---|---|--|--|
| Mode of Operation: | Silence - NO SOUND - See Note 1 | Medium Pulse @ 5PPS | Medium Priority Alarm: 3 beeps repeating every 7.5 sec | High Priority Alarm - 10 beeps repeating every 2.5 sec |
| Loudness @ 10cm: | Silence | 85 to 95 dB(A) Typ. | 85 to 95 dB(A) Typ. | 85 to 95 dB(A) Typ. |
| Frequency: | Silence | 2500 ± 300 Hz | 150 to 4000 Hz | 150 to 4000 Hz |
| Connection: | Connect "+" to "+" & "-" to "-" of Power Supply | Connect "+" to "+" & "-" & L to "-" of Power Supply | Connect "+" to "+" & "-" & M to "-" of Power Supply | Connect "+" to "+" & "-" & H to "-" of Power Supply |
| Voltage Rating: | 3.3 to 5 VDC | | | |
| Average Current Draw: | <15mA Typ. | <30mA Typ. | <15mA Typ. | <20mA Typ. |
| Ipk Current*: | 300mA | | | |
| Housing Material: | ABS 777D Plastic Resin, Black | | | |
| Storage Temperature: | -40° to +85° C | | | |
| Operating Temperature: | -30° to +65° C | | | |
| Weight Typical: | 0.6 oz (17g) | | | |
| Options: | Please contact factory. | | | |
| Condition by wave solder (°C) | 260 ± 5 within 5 sec | | | |
| Condition by hand solder (°C) | 350 ± 20 within 5 sec | | | |

Dimensions: Inches [mm]

cUL Recognized

ROHS Compliant

PATENT NUMBER: 7880593



Note 1: Not intended to be energized when alarm not in use.

*Ipk = Instantaneous Peak

tolerances: ± 0.01 [± 0.3]
 ± 0.005 [± 0.1]