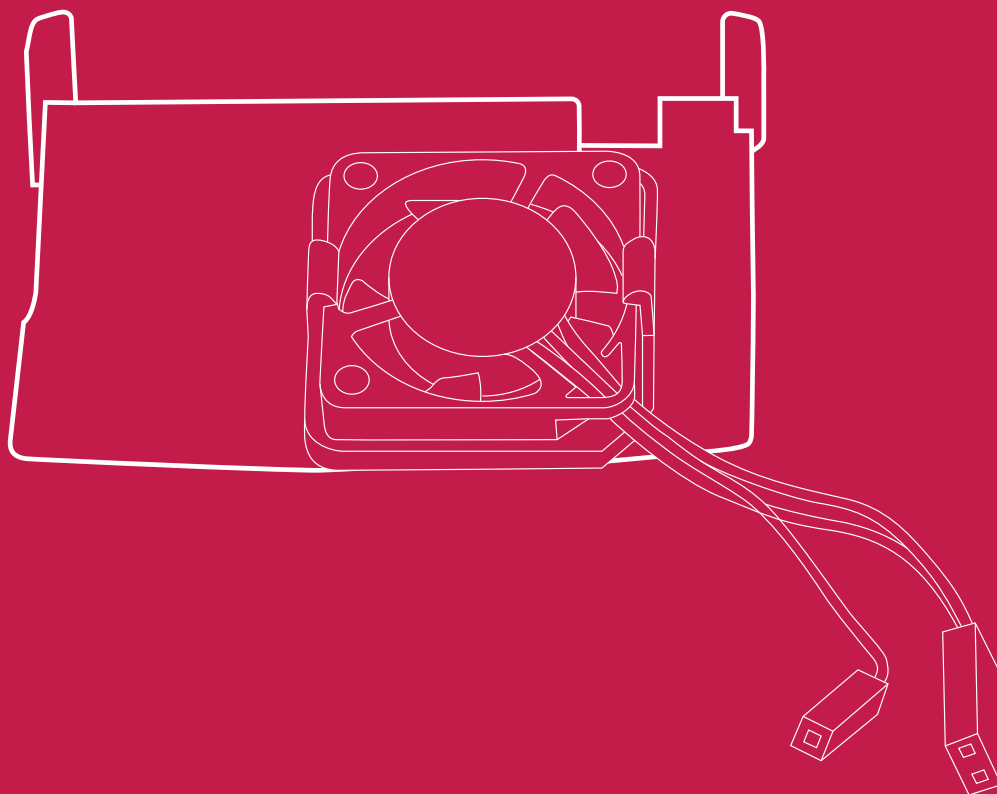
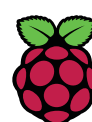


Raspberry Pi 4 Case Fan



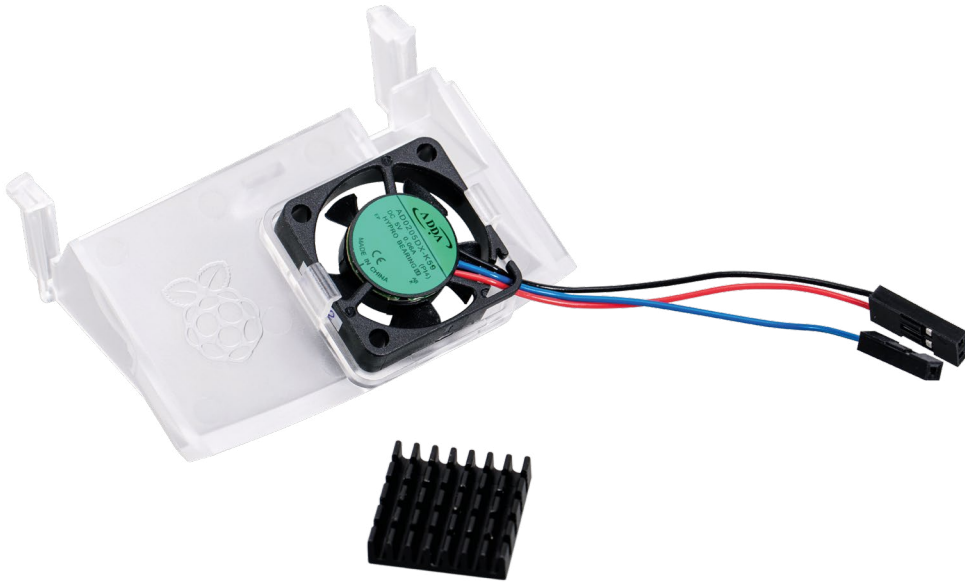
Published in November 2020
by Raspberry Pi Trading Ltd.

www.raspberrypi.org



Raspberry Pi

Overview



The Raspberry Pi 4 Case Fan is an official accessory for Raspberry Pi 4, for use with the official Raspberry Pi 4 Case. Designed for over-clockers and other power users, it keeps your Raspberry Pi 4 at a comfortable operating temperature even under heavy load.

Features

- Fits perfectly into the lid of the Raspberry Pi 4 Case
- Temperature-controlled fan delivers up to 1.4 CFM of air flow over the processor, memory, and power management IC
- 18 mm × 18 mm × 10 mm heatsink with self-adhesive pad improves heat transfer from the processor

Specification

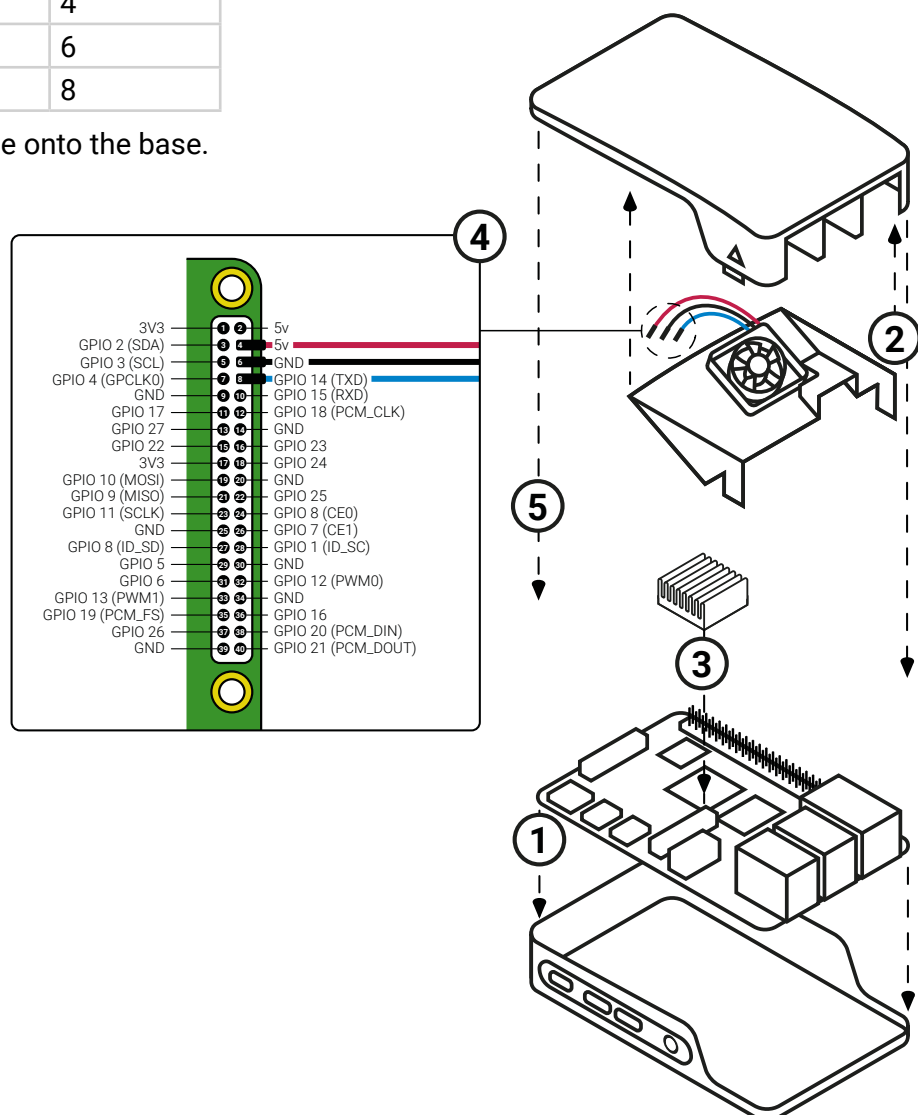
Input voltage:	5V DC supplied via 40-pin GPIO header on Raspberry Pi 4
Fan speed control:	Pulse width modulation control via user-selectable GPIO pin
Maximum airflow:	1.4 CFM
Case material:	Clear PC
Compliance:	For a full list of local and regional product approvals, please visit www.raspberrypi.org/documentation/hardware/raspberrypi/conformity.md

Fitting instructions

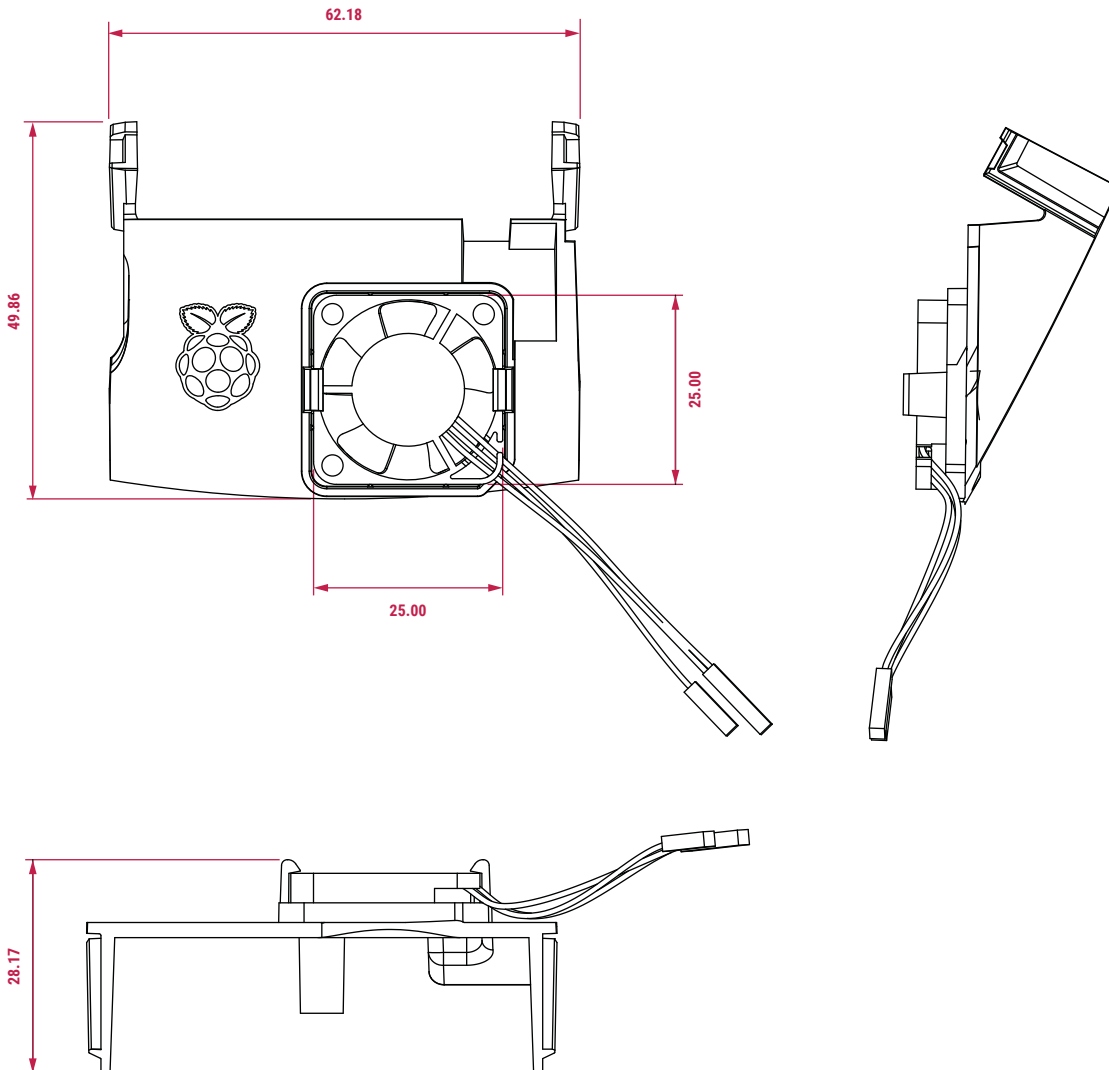
- 1 Remove any SD card, then put your Raspberry Pi into the lower half (base) of the case. Take care to align the mounting holes in the corners with the bumps in the case.
- 2 Insert the fan into the upper half (lid) of the case, with the green label facing away from the lid. Push gently but firmly so that the two tabs on the fan housing click neatly into place inside the tabs on the lid. The slightly curved edge of the housing should be flush with the underside of the lid.
- 3 If you are also fitting the heatsink, remove the backing paper from the self-adhesive pad on the base of the heatsink, position it centrally over the processor, and gently press it into position.
- 4 Connect the three leads from the fan to the Raspberry Pi 4's GPIO pins, as shown in the table and diagram below. Take care to connect each lead to the correct pin.

Lead	Colour	GPIO pin
5v	RED	4
Ground	BLACK	6
GPIO 14	BLUE	8

- 5 Fit the lid of the case onto the base.



Physical dimensions



Note: all dimensions in mm

WARNINGS

- This product should only be used in conjunction with Raspberry Pi 4 Model B and the official Raspberry Pi 4 Case.
- This product should be operated in a well-ventilated environment and the case should not be covered.

SAFETY INSTRUCTIONS

To avoid malfunction or damage to this product, please observe the following:

- Do not expose to water or moisture, or place on a conductive surface whilst in operation.
- Do not expose to heat from any external source; the Raspberry Pi Case Fan is designed for reliable operation at normal ambient temperatures.
- Take care whilst handling to avoid mechanical or electrical damage to the fan and connectors.
- Avoid handling the fan whilst it is powered.