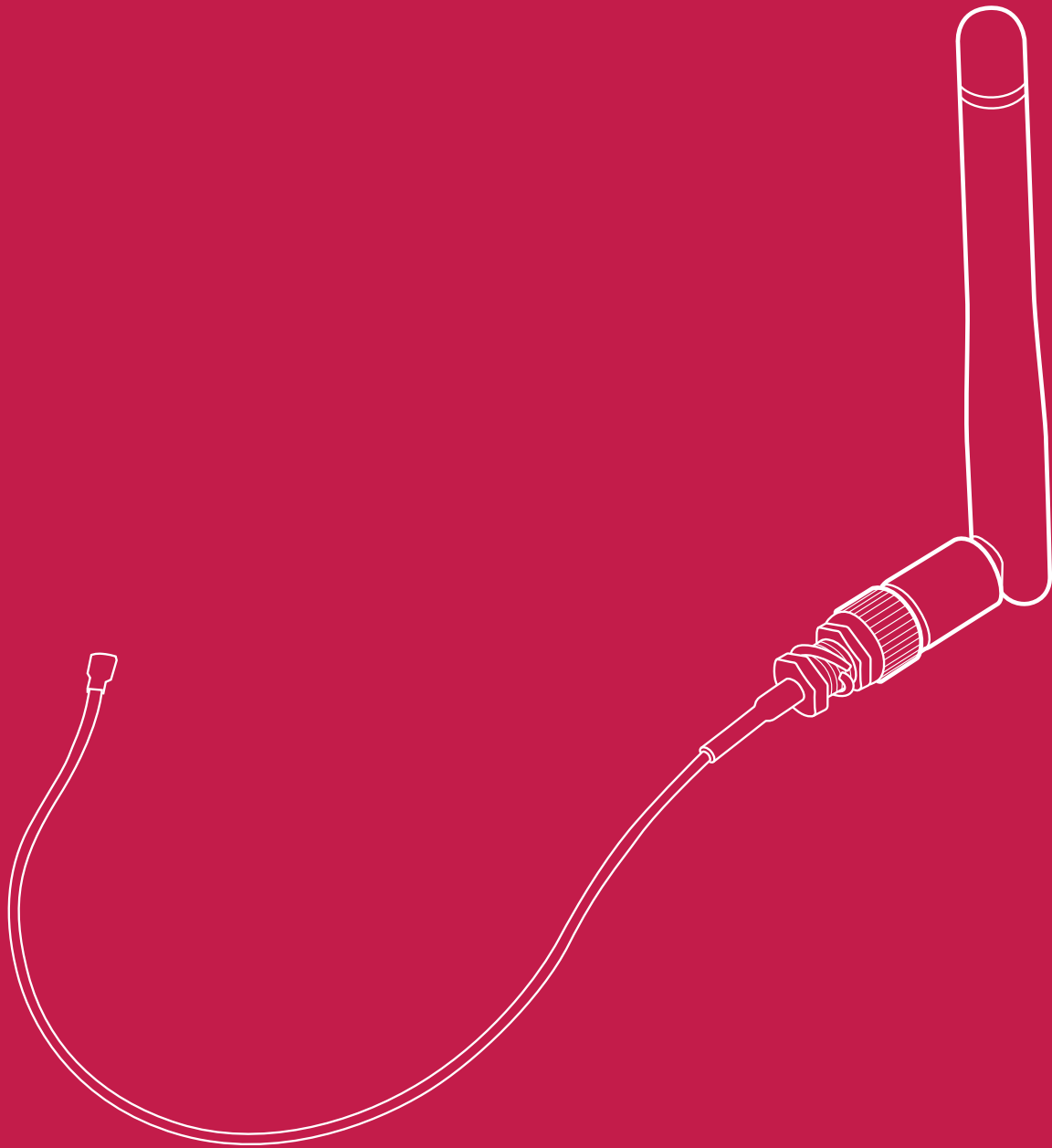


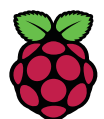
# Raspberry Pi Compute Module 4

## Antenna Kit



Published in October 2020  
by Raspberry Pi Trading Ltd.

[www.raspberrypi.org](http://www.raspberrypi.org)



Raspberry Pi

## Overview



This Antenna Kit is certified for use with the Raspberry Pi Compute Module 4. If a different antenna is used, then separate certification will be required, and this must be arranged by the end-product design engineer.

## Specification: antenna

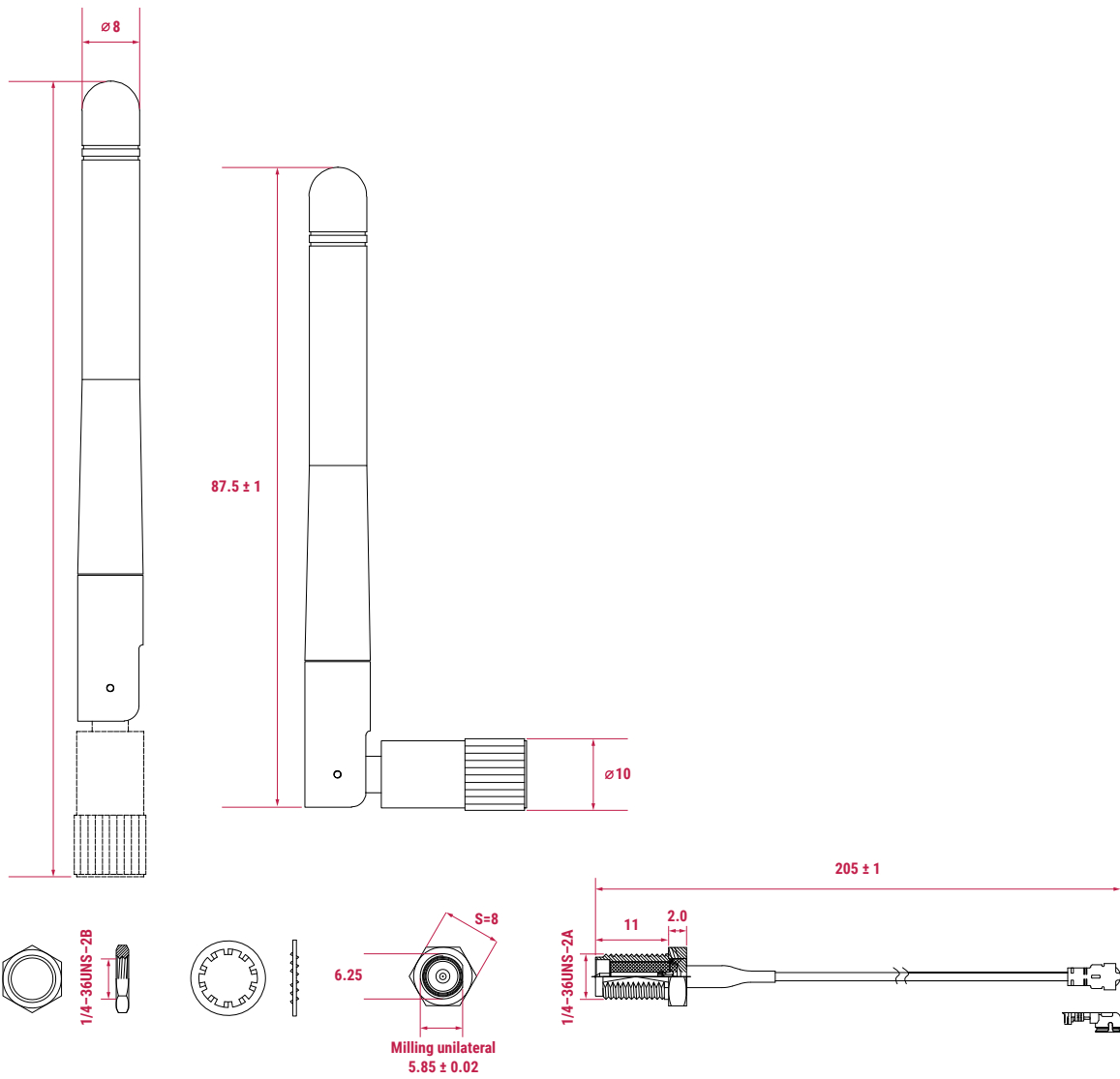
<b>Model number:</b>	YH2400-5800-SMA-108
<b>Frequency range:</b>	2400-2500/5100-5800 MHz
<b>Bandwidth:</b>	100–700MHz
<b>VSWR:</b>	≤ 2.0
<b>Gain:</b>	2 dBi
<b>Impedance:</b>	50 ohm
<b>Polarisation:</b>	Vertical
<b>Radiation:</b>	Omnidirectional
<b>Maximum power:</b>	10W
<b>Connector:</b>	SMA (female)

<b>Dimensions:</b>	108 mm × 10 mm
<b>Shell material:</b>	ABS
<b>Installation:</b>	Screw
<b>Operating temperature:</b>	-35 to +75°C
<b>Weight:</b>	± 3 g

## Specification – SMA to U.FL cable

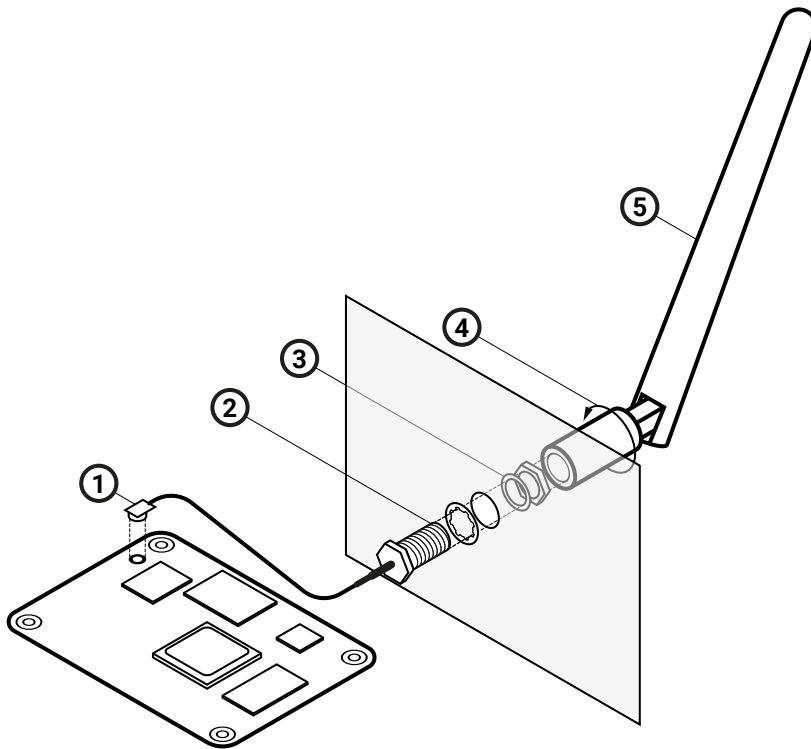
<b>Model number:</b>	HD0052-09-A01_A0897-1101
<b>Frequency range:</b>	0–6GHz
<b>Impedance:</b>	50 ohm
<b>VSWR:</b>	≤ 1.4
<b>Maximum power:</b>	10W
<b>Connector (to antenna):</b>	SMA (male)
<b>Connector (to CM4):</b>	U.FL
<b>Dimensions:</b>	205 mm × 1.37 mm (cable diameter)
<b>Shell material:</b>	ABS
<b>Operating temperature:</b>	-45 to +80°C
<b>Compliance:</b>	For a full list of local and regional product approvals, please visit <a href="https://pip.raspberrypi.org">https://pip.raspberrypi.org</a>

# Physical dimensions



# Fitting instructions

- 1 Connect the U.FL connector on the cable to the U.FL-compatible connector on Compute Module 4
- 2 Screw the toothed washer onto the SMA (male) connector on the cable, then insert this SMA connector through a hole (e.g. 6.4 mm) in the end-product mounting panel
- 3 Screw the SMA connector into place with the retaining hexagonal nut and washer
- 4 Screw the SMA (female) connector on the antenna onto the SMA (male) connector which now protrudes through the mounting panel
- 5 Adjust the antenna to its final position by turning it through up to 90°, as shown in the illustration below



## WARNINGS

- This product shall only be connected to a Raspberry Pi Compute Module 4.
- All peripherals used with this product should comply with relevant standards for the country of use and be marked accordingly to ensure that safety and performance requirements are met. These articles include but are not limited to keyboards, monitors and mice when used in conjunction with the Raspberry Pi.

## SAFETY INSTRUCTIONS

**To avoid malfunction or damage to this product, please observe the following:**

- Do not expose to water or moisture, or place on a conductive surface whilst in operation.
- Do not expose it to external heat from any source. The Raspberry Pi Compute Module 4 Antenna Kit is designed for reliable operation at normal ambient room temperatures.
- Take care whilst handling to avoid mechanical or electrical damage to the Compute Module 4, Antenna, and connectors.
- Avoid handling the unit whilst it is powered.

