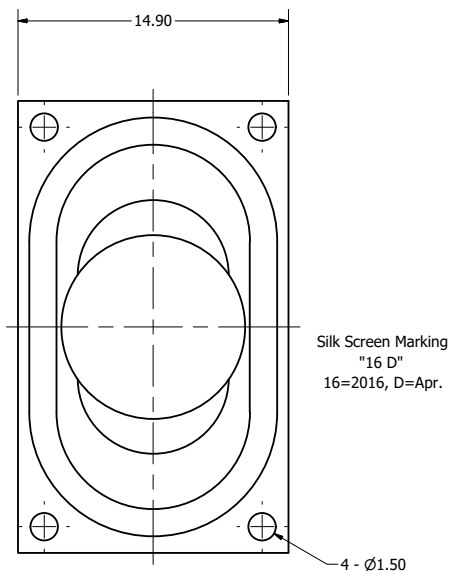
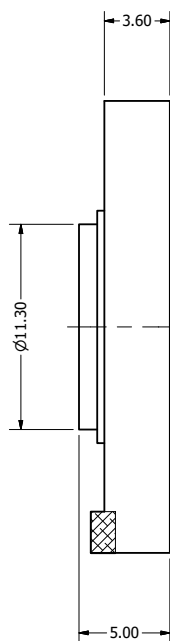


Part Number:	SC240908-1	
DRAWN	CJ	4/7/2016
CHECKED	P.D.	4/11/2016
APPROVED	J.S.	4/11/2016
Description:	Dynamic Speaker	
This document contains data proprietary to DB Unlimited. Any use or reproduction, in any form, without prior written permission of DB Unlimited is prohibited. All terms and conditions can be found at www.dbunlimitedco.com		

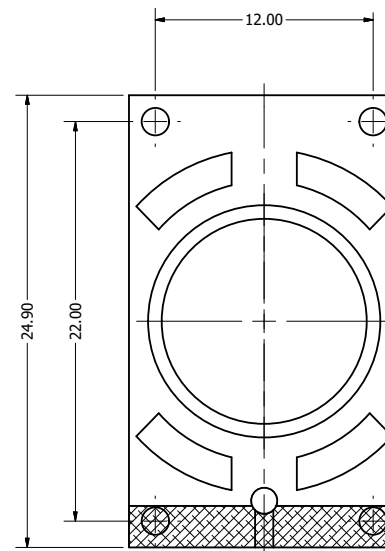
Top View



Side View



Bottom View



Items	Specifications	Conditions
Sound Pressure Level	95	dB (@ 10cm)
Resonant Frequency	900	Hz
Frequency Range	900 ~ 20,000	Hz
Nominal Power	0.5	W
Max. Power	1	W
Impedance	8	Ω
Cone Material	Cloth	
Mount Type	Frame Mount	
Storage Temperature	-20 ~ +50	$^{\circ}\text{C}$
Operating Temperature	-20 ~ +50	$^{\circ}\text{C}$
Weight	2	g

REVISION HISTORY			
REV	DESCRIPTION	DATE	APPROVED
	Released from Engineering	10/21/2013	J.S.
1	SPL Updated	2/11/2016	J.S.

- NOTES
- 1) All dimensions are in mm unless otherwise noted
 - 2) All tolerances are ± 0.5 mm unless otherwise noted
 - 3) All parts meet RoHS
 - 4) Subject to change or redrawn without notice