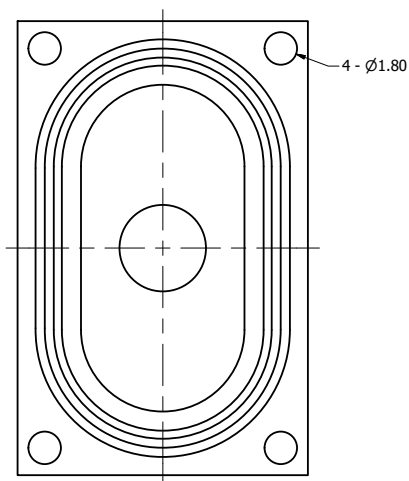
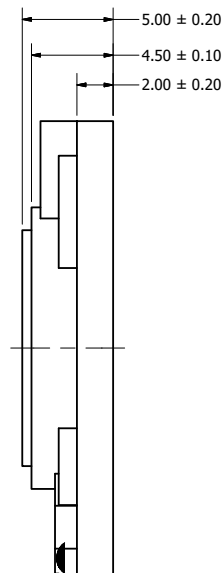


Part Number:	SC250708-1	
DRAWN	CJ	10/29/2015
CHECKED	P.D	11/17/2015
Description:	High Temp Dynamic Speaker	
APPROVED	J.S	11/17/2015
<small>This document contains data proprietary to DB Unlimited. Any use or reproduction, in any form, without prior written permission of DB Unlimited is prohibited. All terms and conditions can be found at www.dbunlimitedco.com</small>		

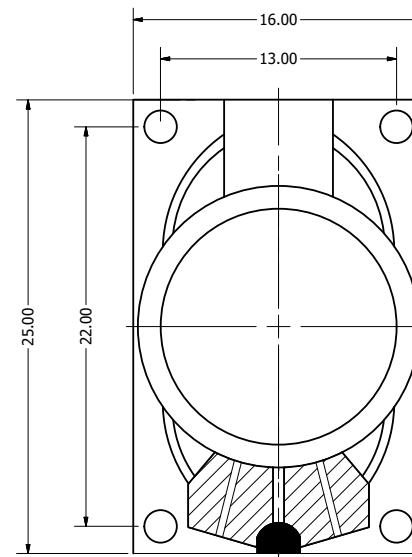
Top View



Side View



Bottom View



Items	Specifications	Conditions
Sound Pressure Level	96	dB (@ 10cm)
Resonant Frequency	750	Hz
Frequency Range	200 ~ 20,000	Hz
Nominal Power	1	W
Max. Power	1.3	W
Impedance	8	Ω
Cone Material	Cloth	
Mount Type	Frame Mount	
Storage Temperature	-40 ~ +85	°C
Operating Temperature	-40 ~ +85	°C
Weight	5	g

REVISION HISTORY			
REV	DESCRIPTION	DATE	APPROVED
	Released from Engineering	2/8/2014	J.S.
1	New template, correct to show no wires	3/17/2017	C.E.

- NOTES
- 1) All dimensions are in mm unless otherwise noted
 - 2) All tolerances are ± 0.5 mm unless otherwise noted
 - 3) All parts meet RoHS
 - 4) Subject to change or redrawn without notice