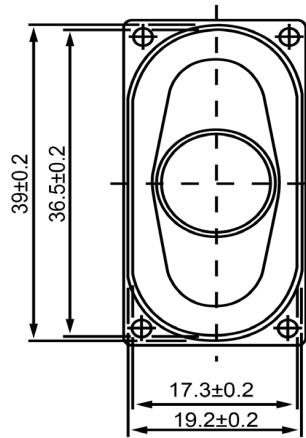
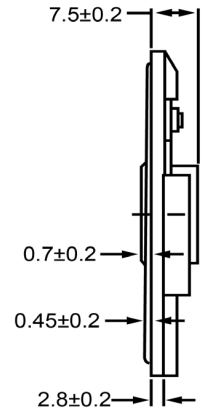


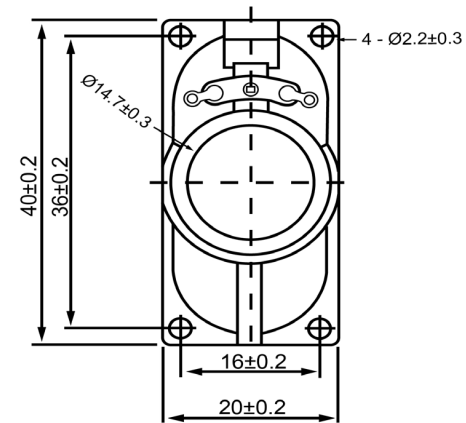
TOP VIEW




SIDE VIEW



BOTTOM VIEW



Specifications			Notes	Revision History					
Description	Value	Unit		Version	Description		Date	Approved	
Shape	Rectangle		1) All dimensions are in mm unless otherwise noted 2) All parts meet RoHS  DB UNLIMITED	1	Released from Engineering		2/5/2014	J.S.	
Resonant Frequency	900	(Hz)							
Frequency Range	900 ~ 20,000	(Hz)							
SPL @ 10cm	90	(dBA)							
Impedance	16	(Ohm)							
Cone Material	Cloth								
Nominal Power	1	(W)							
Max Power	1.5	(W)							
Mount Type	Frame Mount								
Operating Temperature	-25 ~ +55	°C							
Storage Temperature	-25 ~ +55	°C							
Weight	5	(g)							
				Dynamic Speaker		SC390916-1			
				Drawn by	Date	Checked by	Date	Approved by	Date
				G.W.	1/27/2014	C.E.	1/29/2014	J.S.	2/5/2014

Additional considerations can be found at [www.dbunlimitedco.com/technical-articles](http://www.dbunlimitedco.com/technical-articles).