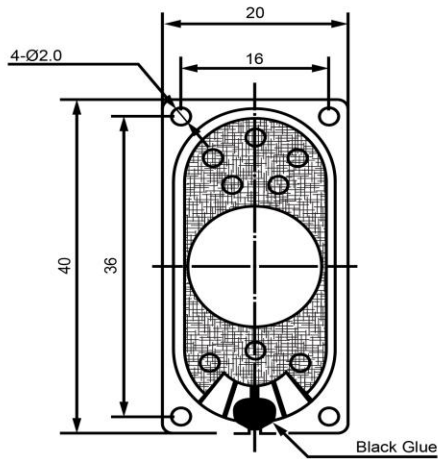
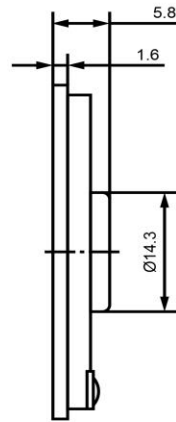


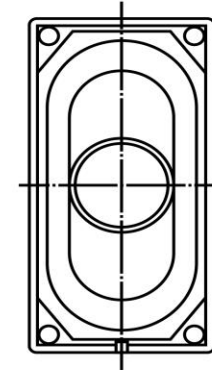
TOP VIEW



SIDE VIEW



BOTTOM VIEW



Specifications

Description	Value	Unit
Shape	Rectangle	
Resonant Frequency	600	(Hz)
Frequency Range	200 ~ 20,000	(Hz)
SPL @ 10cm	86	(dBA)
Impedance	8	(Ohm)
Cone Material	Cloth	
Nominal Power	2.0	(W)
Max Power	2.5	(W)
Mount Type	Frame Mount	
Operating Temperature	- 20 ~ + 60	°C
Storage Temperature	- 20 ~ + 60	°C
Weight	7.6	(g)

Notes

- 1) All dimensions are in mm unless otherwise noted
- 2) All parts meet RoHS



Revision History

Version	Description	Date	Approved		
1	Released from Engineering	2/5/2014	J.S.		
Drawn by	Date	Checked by	Date	Approved by	Date
G.W.	1/27/2014	C.E.	2/5/2014	J.S.	2/5/2014

Dynamic Speaker

SC400508-1

Additional considerations can be found at [www.dbunlimitedco.com/technical-articles](http://www.dbunlimitedco.com/technical-articles).