



**Mallory Sonalert Products, Inc.**

Part #:

**SCE028MD3MP1F**

**Sales Outline Drawing**

Revision:

**B**

**Specifications:**

|                       |  |
|-----------------------|--|
| Sound Level Category  | Medium   |
| Mode of Operation     | Medium Pulse @ 5 PPS   |
| Voltage Rating        | 16 to 28 VDC   |
| Frequency             | 2900 ± 500 Hz  |
| Loudness @ 2 FT       | 75 to 85 dB(A) Typ.  |
| Current Draw          | 40mA MAX   |
| Housing Material      | 6/6 Nylon, Color: Black  |
| Storage Temperature   | -40° to +85° C   |
| Operating Temperature | -40° to +85° C   |
| Panel Mounting        | Recommended hole size is 1.25"(31.75mm). Thread front will fit standard 30mm(1.181") hole. |
| Knurled Nut           | Used to attach part to panel. The max recommended torque is 10 in-lbs.                     |
| Weight (Typical)      | 1.6 oz (45g)   |
| NEMA 3R,4X, & 12      | Approved with use of ACC03.  |
| cUL Recognition       | cUL Recognized   |
| Options               | Please contact factory.  |

**Dimensions:**

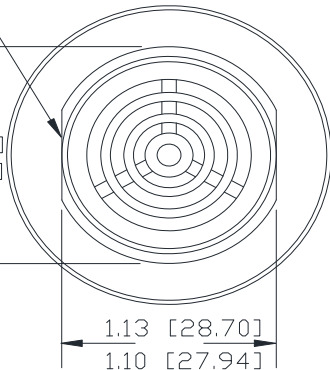
Inches (mm)

**cUL Recognized**

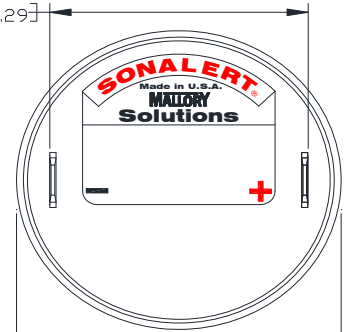
**ROHS Compliant**

LOCKING FLATS

1.240 [31.50]  
1.210 [30.73]



1.19±.09 [30.24±2.29]



1 1/8-24 UNS 2A THD.

KNURLED NUT

MOLDED BLACK NYLON HOUSING

TERMINALS PARALLEL TO LOCKING FLATS WITHIN ±15° (SEE NOTE A)

1.313±.005 [33.34±.13]

.375±.005 [9.52±.13]

.031±.005 [.79±.13]

.47±.01 [11.94±.25]

.250±.005 [6.35±.13]

.312±.005 [7.92±.13]

.44±.01 [11.17±.25]

.031±.005 [.79±.13]

.82±.06 [20.91±1.52]

MOUNTING: REMOVE BLACK PLASTIC NUT AND INSERT THREADED FRONT THROUGH 1.25" HOLE PUNCHED IN PANEL, IF ORIENTATION IS NEEDED, NOTE LOCKING FLATS ON DRAWING. SCREW NUT BACK ON. DO NOT OVERTIGHTEN.