



Mallory Sonalert Products, Inc.

Part #: **SCS300MDS**

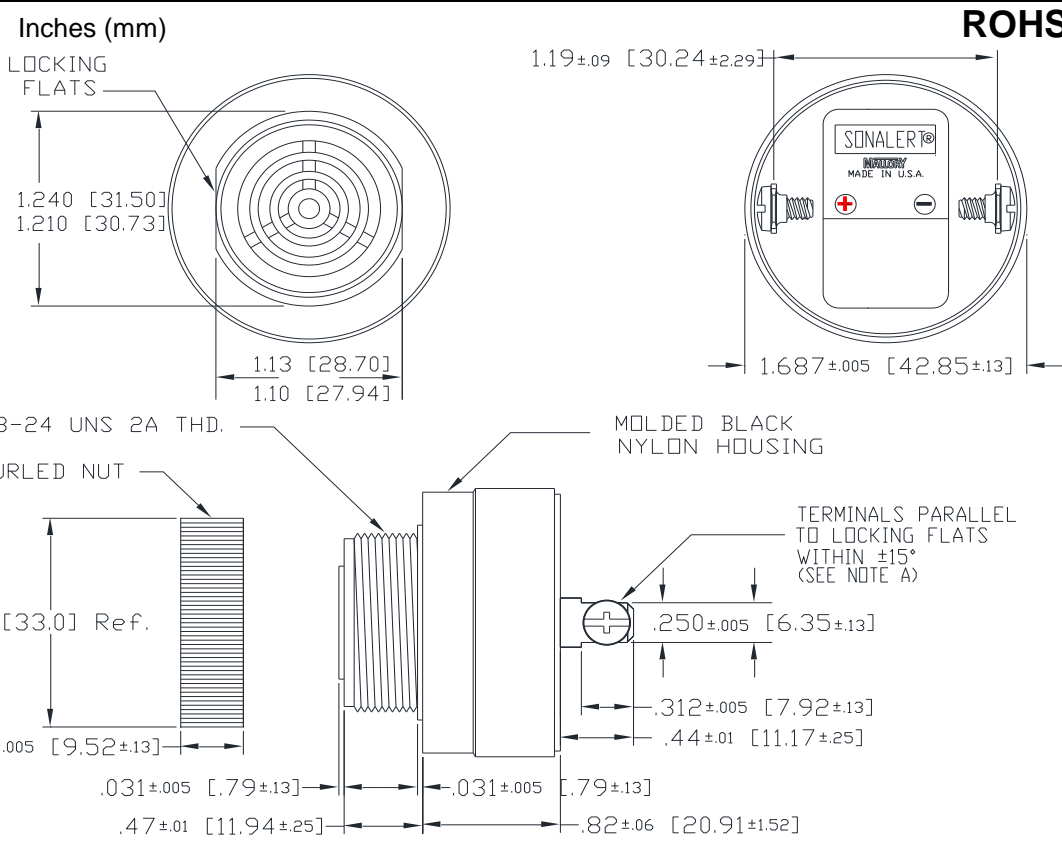
Sales Outline Drawing

Revision: **D**

Specifications:

Description	Speaker-housing assembly designed to meet the requirements of IEC60601-1-8
Coil Impedance	8Ω @ 1-Volt
Rated Wattage	0.25 Watts (2Vpp Sine Wave, 176mA)
Max Wattage	0.5 Watts
Recommended Drive Frequency	300 ± 24 Hz, results in a 900 Hz fundamental frequency
Sound Level	75dB @ 2ft (90dB @ 10cm) typical
Harmonics Present	4 harmonic peaks within ±15dB from 1 – 4 kHz
Housing	Nylon 6/6 (Color: Black)
Storage Temperature	-40° to +85° C
Operating Temperature	-30° to +65° C
Panel Mounting	Recommended hole size is 1.25"(31.75mm). Thread front will fit standard 30mm(1.181") hole.
Knurled Nut	Used to attach part to panel. The max recommended torque is 10 in-lbs.
Weight (Typical)	1.5 oz (42 g)
NEMA 3R,4X, & 12	Approved with use of ACC03.
Options	Please contact factory.

Dimensions:



NOTE A: TERMINALS-.032 BRASS TIN PLATED, TAPPED FOR #6-32 SCREW. TWO #6-32 NICKEL PLATED BRASS SCREWS INCLUDED. WILL ACCEPT 1/4" QUICK CONNECT.

NOTE B: MOUNTING- REMOVE BLACK PLASTIC NUT AND INSERT THREADED FRONT THROUGH 1.25" HOLE PUNCHED IN PANEL, IF ORIENTATION IS NEEDED, NOTE LOCKING FLATS ON DRAWING. SCREW NUT BACK ON. DO NOT OVERTIGHTEN.