

DUAL POWER SCHOTTKY RECTIFIERS

30 Amp Pk per diode, 45V

SD241
SD241HR2

1

FEATURES

- Very Low Forward Voltage
- Low Recovered Charge
- Rugged Packaged Design (TO-3)
- High Efficiency for Low Voltage Supplies
- Dual Schottky Rectifiers in a Single Package

DESCRIPTION

The SD241 has two Schottky barrier junctions arranged in a common cathode configuration and is ideally suited for output rectifiers and catch diodes in low voltage supplies.

ABSOLUTE MAXIMUM RATINGS (T_{case} = 25°C) Per Diode

Peak Repetitive Reverse Voltage, V _{RRM}	45V*
Working Peak Reverse Voltage, V _{RWM}	35V
Average Rectified Forward Current, I _o	30A
Non-repetitive Peak	
Surge current (8.3 ms), I _{FSM}	400A
Peak Reverse Transient Current, I _{RM}	2A
Storage Temperature Range, T _{stg}	-55°C to +175°C
Junction Operating Temperature Range, T _j	-55°C to +150°C
Package Thermal Resistance, Junction to Case, R _{θJC}	1.4°C/W

* See curve of V_{RRM} Rating vs Case Temperature.

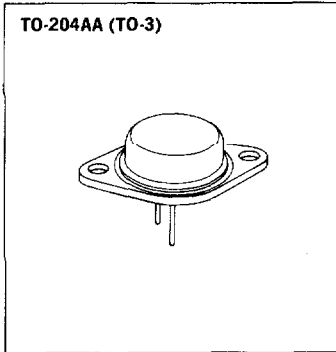
MECHANICAL SPECIFICATIONS

NOTE:
Leads may be soldered to within 1/16" of base provided temperature-time exposure is less than 260°C for 10 seconds.

ANODE 2 ANODE 1
CASE (CATHODE)

**SD241
SD241HR2**

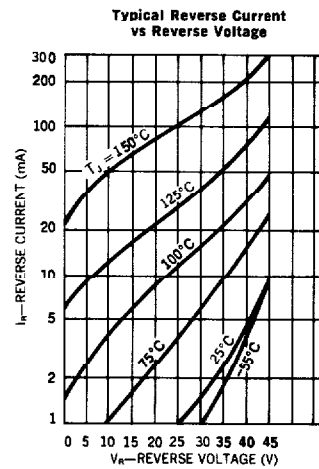
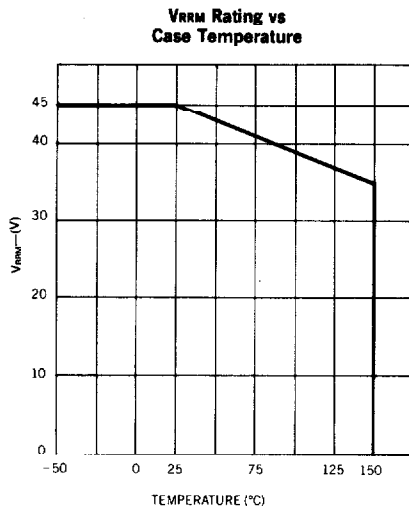
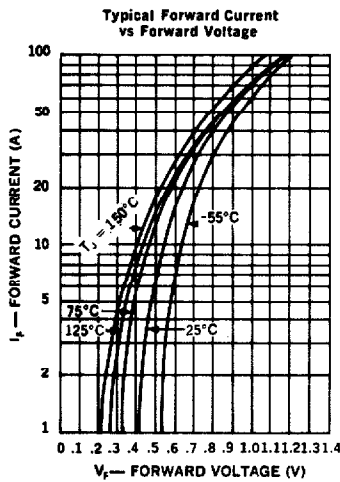
	ins.	mm.
A	.875 MAX.	22.23 MAX.
D	.100 MAX.	2.54 MAX.
C	.250-.450	6.35-11.43
D	.312 MIN.	7.92 MIN.
E	.038-.043 DIA.	0.97-1.09 DIA.
F	.188 MAX. RAD.	4.78 MAX. RAD.
G	1.177-1.197	29.90-30.40
H	.655-.675	16.64-17.15
J	.205-.225	5.21-5.72
K	.420-.440	10.67-11.18
L	.625 MAX. RAD.	15.84 MAX. RAD.
M	.151-.161 DIA.	3.84-4.09 DIA.



Notes: All metal surfaces tin plated.

Microsemi Corp.
Watertown
The diode experts

Characteristic	Symbol	Limit	Units	Conditions
Maximum Instantaneous Reverse Current	i _R	25 100	mA mA	T _c = 25°C, V _R = 35V T _c = 125°C Pulse Width = 400µS Duty Cycle = 1 percent
Maximum Instantaneous Forward Voltage	V _F	.47	V	i _F = 10A Pulse Width = 300µS Duty Cycle = 1 percent T _c = 125°C
		.60	V	i _F = 20A Pulse Width = 300µS Duty Cycle = 1 percent T _c = 125°C
Maximum Capacitance	C _i	2000	pF	V _R = 5.0V
Maximum Voltage Rate of Change	dv/dt	1000	v/µS	v _R = 35V



OPTIONAL HIGH RELIABILITY (HR2) SCREENING

The following tests are performed on 100% of the devices specified SD241HR2.

SCREEN	MIL-STD-750 METHOD	CONDITIONS
1. High Temperature	1032	24 Hours @ T _A = 150°C
2. Temperature Cycle	1051	F, 20 Cycles, -55 to +150°C. No dwell required @ 25°C, t ≥ 10 min. @ extremes
3. Hermetic Seal a. Fine Leak b. Gross Leak	1071	H, Helium C, Liquid
4. Thermal Impedance		Sage Test
5. Interim Electrical Parameters	GO/NO GO	V _F and I _R @ 25°C
6. High Temperature Reverse Blocking	Similar to Method 1040	½ Sine Reverse. t = 48 Hours. T _c = 125°C. VR _{WM} = rating, F = 50-60 Hz, I _O = OA
7. Final Electrical Parameters	GO/NO GO	V _F + I _R @ 25°C PDA = 10% (Final Electricals)