

# SE-CS30 SERIES

## Current Sensor



### Description

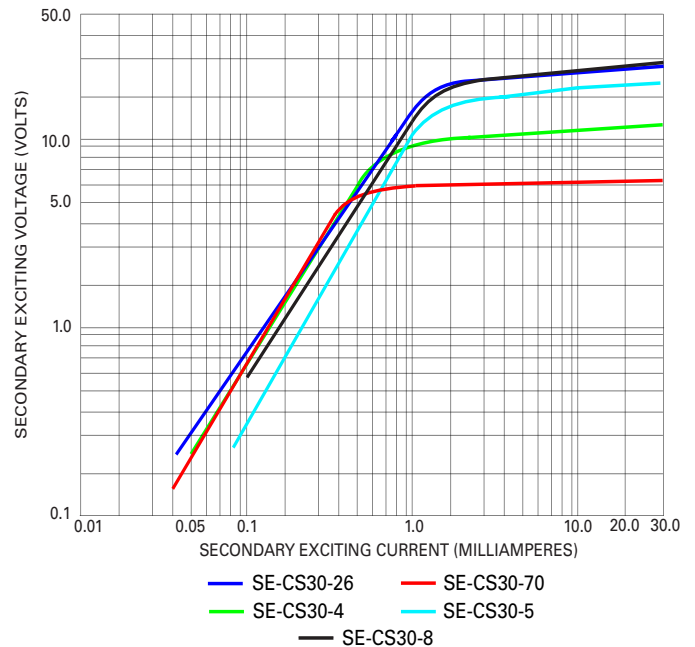
The SE-CS30 series is a sensitive nickel-core current transformer used with Littelfuse relays to detect low levels of earth-leakage current.

### Specifications

<b>Turns Ratio</b>	600:1
<b>Current Rating</b>	30:0.05 A
<b>Accuracy</b>	3% @ 0.06 VA
<b>Frequency</b>	50-400 Hz
<b>Insulation Level</b>	600 V
<b>Operating Temperature</b>	-55 to 60°C (-67 to 140°F)
<b>Application</b>	FPU-32, FPS, MPU-32, MPS, PGR-6100, PGR-6101, SE-330, SE-701, SE-704
<b>Certification</b>	CSA, UL, CE
<b>Compliance</b>	RoHS, IEC 60044-1

### Ordering Information

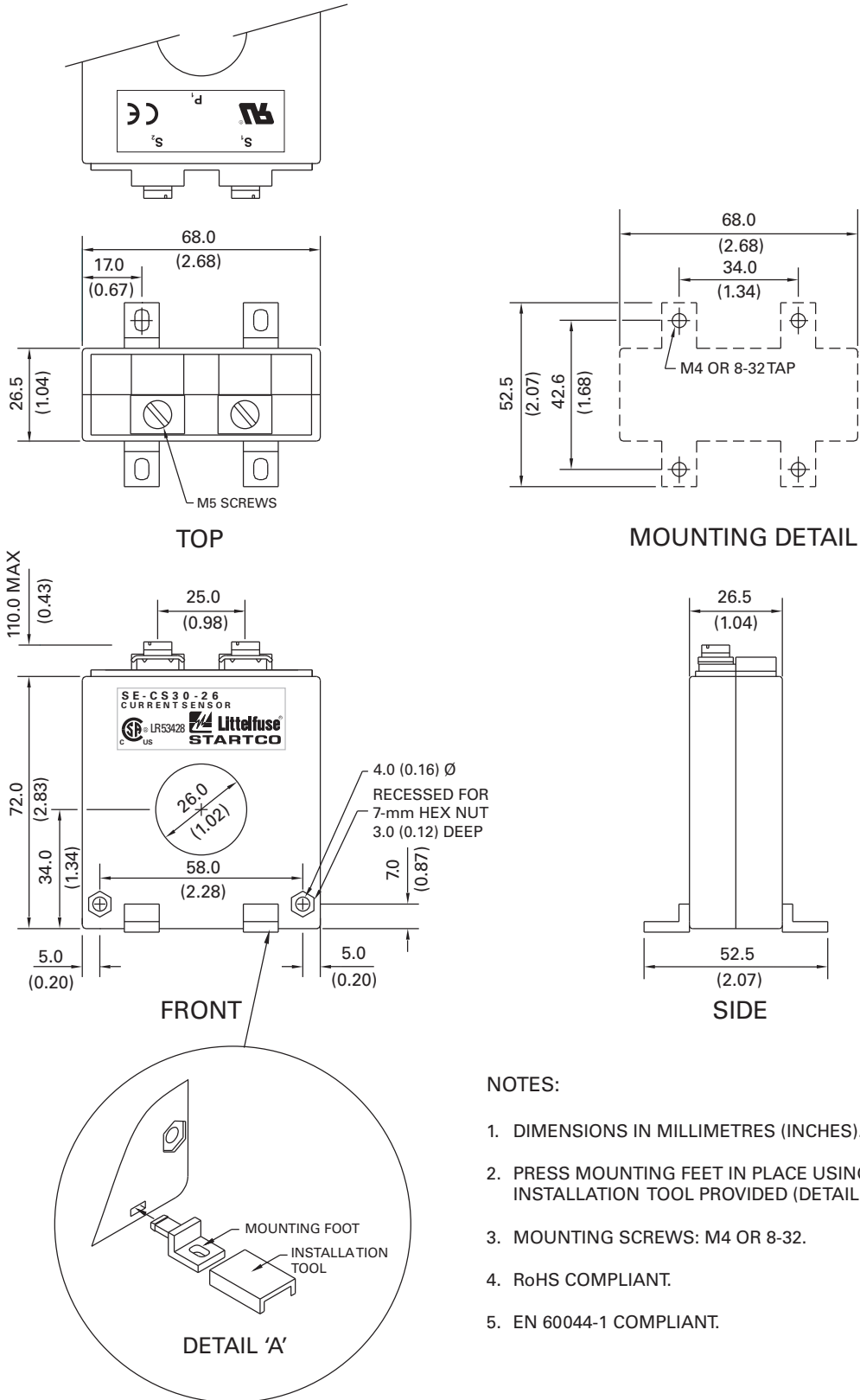
ORDERING NUMBER	WINDOW SIZE, ID	WEIGHT
SE-CS30-26	26 mm (1.0")	0.5 kg (1.0 lb)
SE-CS30-70	70 mm (2.8")	1.2 kg (2.5 lb)
SE-CS30-4	95 mm (3.7")	1.3 kg (3.0 lb)
SE-CS30-5	140 mm (5.5")	2.1 kg (4.6 lb)
SE-CS30-8	200 mm (7.9")	4.3 kg (9.4 lb)



# SE-CS30 SERIES

## Dimensions and Mounting Diagram

### SE-CS30-26



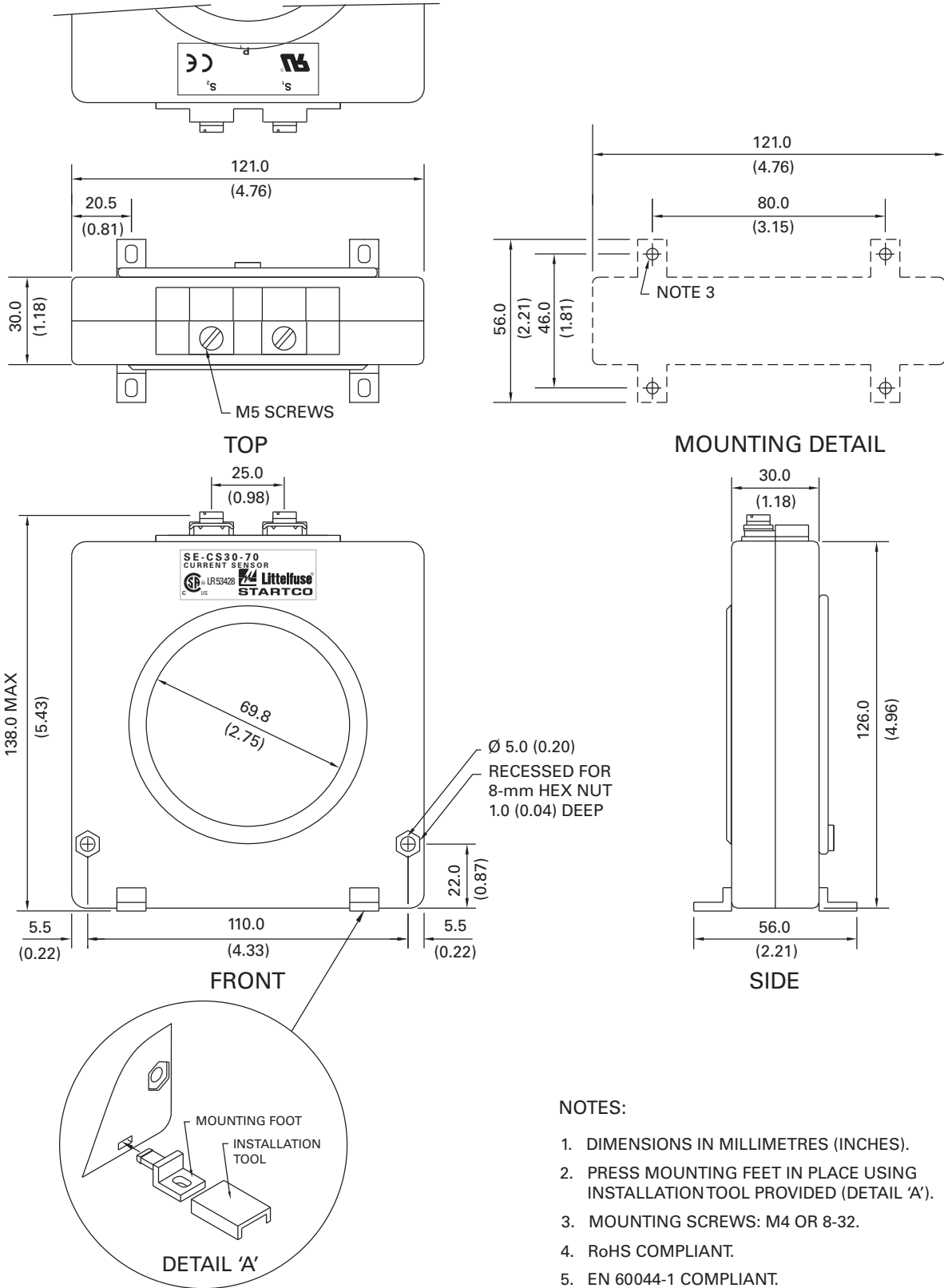
**NOTES:**

1. DIMENSIONS IN MILLIMETRES (INCHES).
2. PRESS MOUNTING FEET IN PLACE USING INSTALLATION TOOL PROVIDED (DETAIL 'A').
3. MOUNTING SCREWS: M4 OR 8-32.
4. RoHS COMPLIANT.
5. EN 60044-1 COMPLIANT.

# SE-CS30 SERIES

## Dimensions and Mounting Diagram

### SE-CS30-70



**NOTES:**

1. DIMENSIONS IN MILLIMETRES (INCHES).
2. PRESS MOUNTING FEET IN PLACE USING INSTALLATION TOOL PROVIDED (DETAIL 'A').
3. MOUNTING SCREWS: M4 OR 8-32.
4. RoHS COMPLIANT.
5. EN 60044-1 COMPLIANT.