

DATA SHEET
SE5003L: 5 GHz, 23dBm Power Amplifier with Power Detector

Applications

- DSSS 5 GHz WLAN (IEEE802.11a)
- DSSS 5 GHz WLAN (IEEE802.11n)
- Access Points, PCMCIA, PC cards

Features

- High output power amplifier
 - 23dBm at 5V
- External Analog Reference Voltage (V_{REF}) for maximum flexibility
- Buffered, temperature compensated power detector
- 3% EVM, @23dBm, 64 QAM, 54 Mbps
- 32 dB Gain
- Lead Free, RoHS compliant and halogen free package, MSL3
- 20 pin 4 mm x 4 mm x 0.9 mm QFN

Product Description

The SE5003L is a 5GHz power amplifier offering high linear power for wireless LAN applications. The SE5003L incorporates a power detector for closed loop monitoring and control of the output power.

The SE5003L offers high integration for a simplified design, providing quicker time to market and higher application board production yield. The device integrates the input match, the inter-stage match, the output match, the power detector with 15dB of dynamic range and a 3.8GHz notch filter. Only 6 external decoupling capacitors are required to complete the design.

For wireless LAN applications, the device meets the requirements of IEEE802.11a & 802.11n, and delivers approximately 23dBm of linear output power at 5V.

The SE5003L integrates the reference voltage generator. A 2.85V reference voltage on V_{REF} is all that is required to enable or disable the power amplifier.

Ordering Information

Part Number	Package	Remark
SE5003L	20 Pin QFN	Samples
SE5003L-R	20 Pin QFN	Tape and Reel
SE5003L-EK1	Evaluation Kit	Standard

Functional Block Diagram

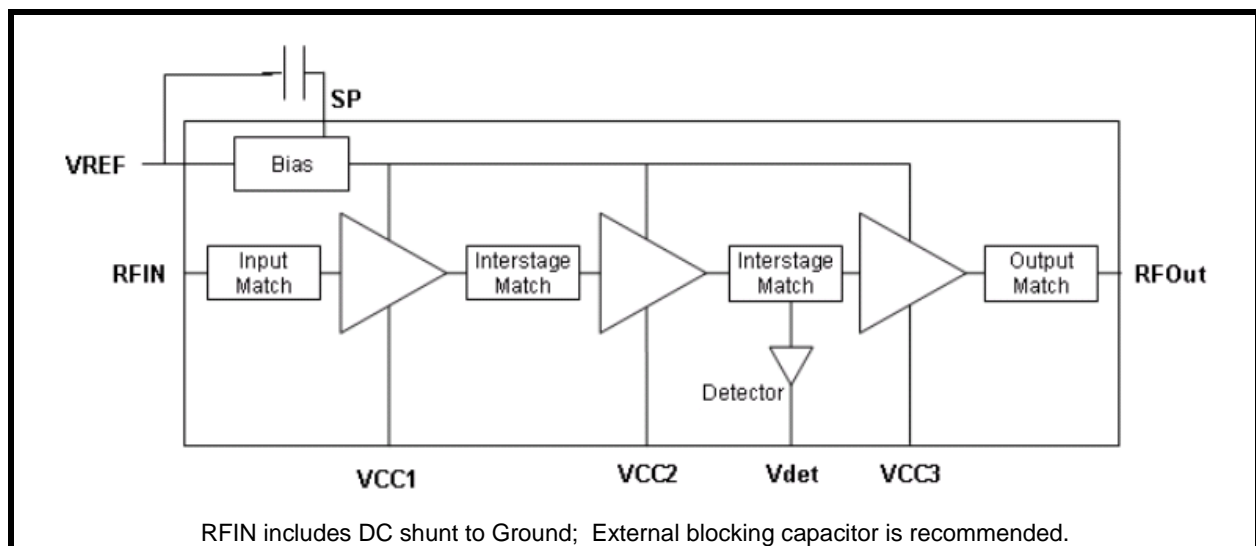


Figure 1: Functional Block Diagram

DATA SHEET
SE5003L: 5 GHz, 23dBm Power Amplifier with Power Detector

Pin Out Diagram

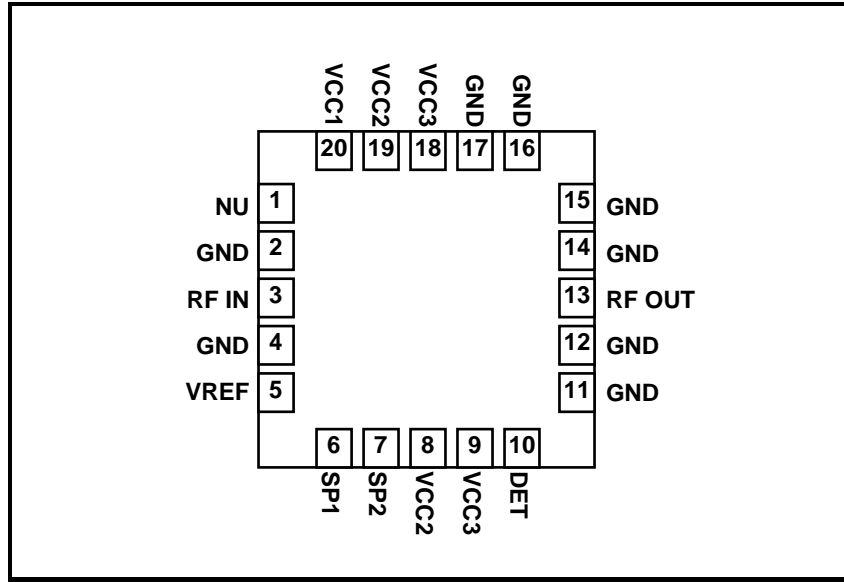


Figure 2: SE5003L Pin Out (Top View Through Package)

Pin Out Description

Pin No.	Name	Description
1	NU	Pin is Not Used, and is open circuit in the package
2	GND	Ground
3	RFin	Power Amplifier RF input, DC block required
4	GND	Ground
5	VREF	Reference Voltage
6	SP1	Ports for optional capacitor to improve dynamic EVM
7	SP2	
8	VCC2	Second Stage Supply Voltage
9	VCC3	Third Stage Supply Voltage
10	DET	Analog Power Detector Output
11,12	GND	Ground
13	RF OUT	Power Amplifier RF Output
14-17	GND	Ground
18	VCC3	Third Stage Supply Voltage
19	VCC2	Second Stage Supply Voltage
20	VCC1	First Stage Supply Voltage

DATA SHEET
SE5003L: 5 GHz, 23dBm Power Amplifier with Power Detector
Absolute Maximum Ratings

These are stress ratings only. Exposure to stresses beyond these maximum ratings for a long period of time may cause permanent damage to, or affect the reliability of the device. Avoid operating the device outside the recommended operating conditions defined below. This device is ESD sensitive. Handling and assembly of this device should be at ESD protected workstations.

Symbol	Definition	Min.	Max.	Unit
V _{CC}	Supply Voltage on pins VCC3	-0.3	+6	V
	Supply Voltage on pins VCC1, VCC2	-0.3	VCC3	
V _{REF}	Power Amplifier Enable and reference voltage	-0.3	3.6	V
R _{FIN}	RF Input Power, R _{Fout} into 50Ω match, T _{CASE_MAX} = 85C	-	6	dBm
T _{STG}	Storage Temperature Range	-40	160	°C
T _j	Maximum Junction Temperature	-	160	°C
ESD _{HBM}	JEDEC JESD22-A114 all pins	Class1A		

Recommended Operating Conditions

Symbol	Parameter	Min.	Max.	Unit
V _{CC}	Supply Voltage VCC1, VCC2, VCC3	3.0	5.5	V
T _{CASE_MAX}	Max Case Temperature	-40	85	°C
V _{REF}	Reference Voltage	2.8	2.9	V

DC Electrical Characteristics

Conditions: V_{CC} = 5.0V, V_{REF} = 2.85 V, T_A = 25 °C, as measured on Skyworks' SE5003L-EK1 evaluation board, unless otherwise noted.

Symbol	Parameter	Conditions	Min.	Typ.	Max.	Unit
I _{CC-802.11a}	Supply Current	P _{OUT} = 23 dBm, 5.0V, 54 Mbps, 64 QAM	-	340	650	mA
I _{QC}	Quiescent Current	No RF	-	150	-	mA
I _{OFF}	Supply Current	V _{REF} = 0 V, No RF	-	0.5	10	μA
I _{EN}	Bias Control Current	V _{REF} = V _{REFH} Internal 2KΩ pull down resistor	-	10	-	mA
V _{REFH}	Reference Voltage Enabled	-	2.8	2.85	2.9	V
V _{REFL}	Reference Voltage Disabled	-	0	-	0.5	V

DATA SHEET
SE5003L: 5 GHz, 23dBm Power Amplifier with Power Detector

AC Electrical Characteristics

802.11a AC Electrical Characteristics

Conditions: $V_{CC} = 5.0\text{ V}$, $V_{REF} = 2.85\text{ V}$, $f = 5.4\text{ GHz}$, $T_A = 25\text{ }^\circ\text{C}$, as measured on Skyworks' SE5003L-EK1 evaluation board, unless otherwise noted

Symbol	Parameter	Conditions	Min.	Typ.	Max.	Unit
f_{L-U}	Frequency Range	-	5.15	-	5.85	GHz
P_{OUT}	Output Power	802.11a, 54Mbps, 64 QAM, 3% EVM	22	-	-	dBm
		802.11n, MCS0, Mask Compliant	-	26	-	
P_{1dB}	Output 1dB compression point	No modulation	28	32	-	dBm
S_{21}	Small Signal Gain	$P_{IN} = -25\text{ dBm}$	28	32	-	dB
ΔS_{21}	Gain Variation	Withing each UNII Band	-	3	-	dB
$\Delta S_{21\ 3.8}$	Gain at 3.8GHz	$P_{IN} = -25\text{ dBm}$	-	-	0	dB
2f	Harmonic	$P_{OUT} = 23\text{ dBm}$, 5V	-	-45	-	dBm/MHz
3f						
t_r, t_f	Rise and Fall Time	-	-	0.5	-	us
STAB	Stability	$P_{OUT} = 23\text{ dBm}$, $V_{CC} = 5V$, 54 Mbps, 64 QAM, VSWR = 6:1, all phases	All non-harmonically related outputs less than -50 dBc/100 kHz			
Rugged	Tolerance to constant input power into a mismatch load	$P_{IN} = -10\text{ dBm}$, CW, VSWR = 6:1, all phases	No damage			

DATA SHEET
SE5003L: 5 GHz, 23dBm Power Amplifier with Power Detector

Power Detector

Conditions: $V_{CC} = 5.0\text{ V}$, $V_{REF} = 2.85\text{ V}$, $f = 5.4\text{ GHz}$, $T_A = 25\text{ }^\circ\text{C}$, as measured on Skyworks' SE5003L-EK1 evaluation board, unless otherwise noted

Symbol	Parameter	Conditions	Min.	Typ.	Max.	Unit
PDR	P_{OUT} detect range	-	0	-	P_{1dB}	dBm
VDET	Detector voltage	$P_{OUT} = 23\text{ dBm}$	-	1.00	-	V
		$P_{OUT} = \text{NO RF}$	-	0.35	-	V
ERR _{DET}	Detector Accuracy	ΔP_{OUT} at constant V_{DET} , 5.15 GHz – 5.70 GHz	-0.5	-	+0.5	dB
		5.70 GHz – 5.85 GHz	-0.5	-	+0.5	dB
		ΔP_{OUT} at constant V_{DET} , VSWR = 3:1	-1.5		+1.5	dB
PDZ _{OUT}	Output Impedance	-	-	700	-	Ω
PDZ _{LOAD}	DC load impedance	-	-	26.5	-	K Ω

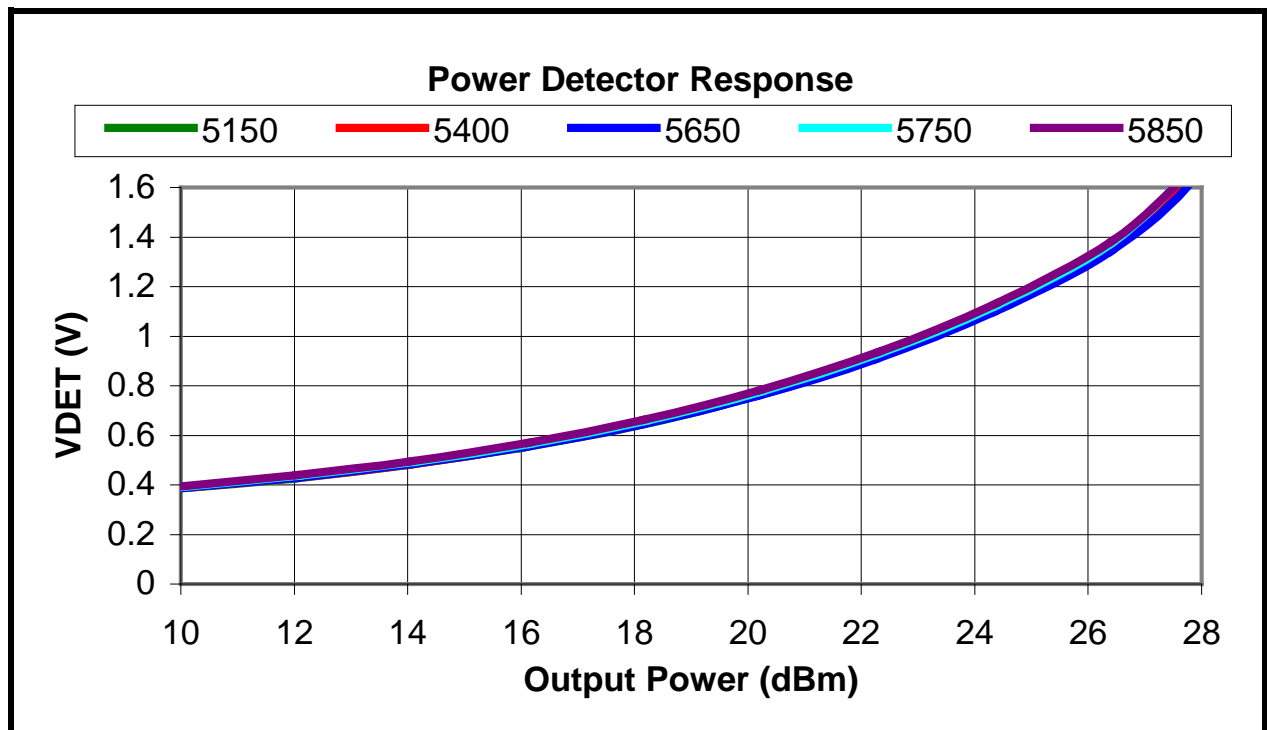


Figure 3: SE5003L Power Detector Characteristic over Frequency

DATA SHEET
SE5003L: 5 GHz, 23dBm Power Amplifier with Power Detector

Package Diagram

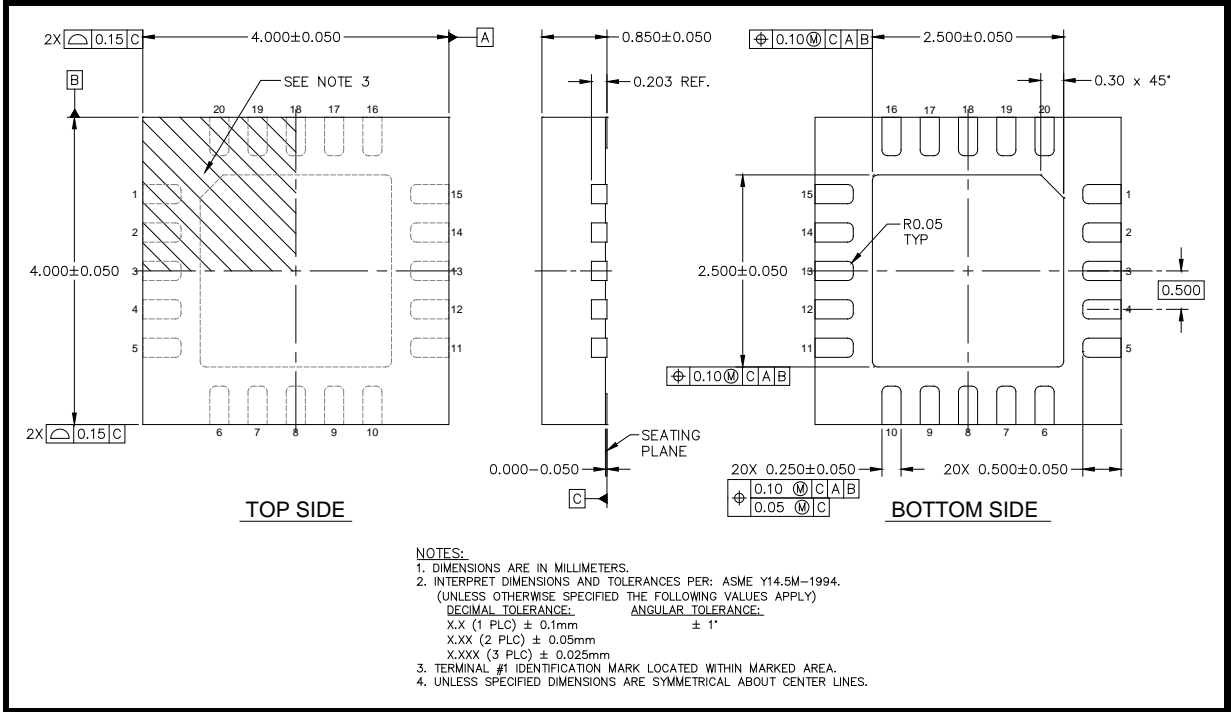


Figure 4: SE5003L Package Information



DATA SHEET
SE5003L: 5 GHz, 23dBm Power Amplifier with Power Detector

Recommended Land and Solder Pattern

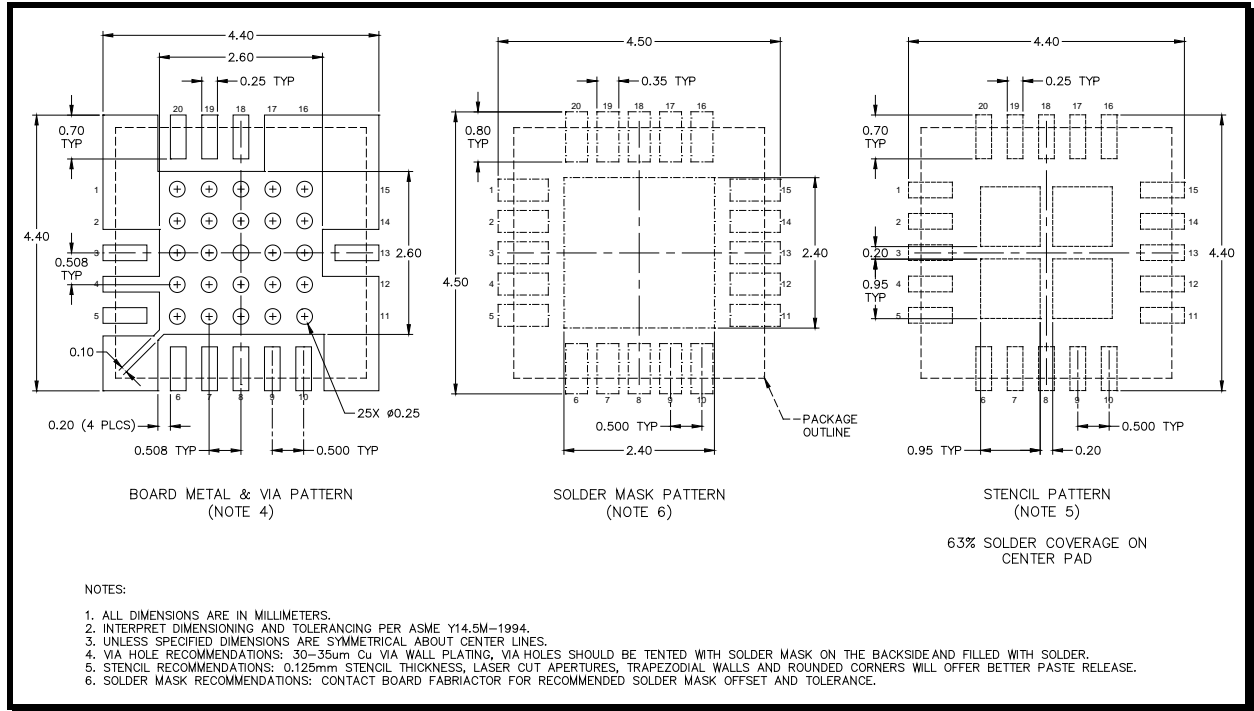


Figure 5: SE5003L Recommended Land Pattern

Package Handling Information

Because of its sensitivity to moisture absorption, instructions on the shipping container label must be followed regarding exposure to moisture after the container seal is broken, otherwise, problems related to moisture absorption may occur when the part is subjected to high temperature during solder assembly. The SE5003L is capable of withstanding a Pb free solder reflow. Care must be taken when attaching this product, whether it is done manually or in a production solder reflow environment. If the part is manually attached, precaution should be taken to insure that the device is not subjected to temperatures above its rated peak temperature for an extended period of time. For details on both attachment techniques, precautions, and handling procedures recommended, please refer to:

- "Quad Flat No-Lead Module Solder Reflow & Rework Information", Document Number QAD-00045
- "Handling, Packing, Shipping and Use of Moisture Sensitive QFN", Document Number QAD-00044



Caution! Class 1B ESD sensitive device

DATA SHEET
SE5003L: 5 GHz, 23dBm Power Amplifier with Power Detector

Branding Information

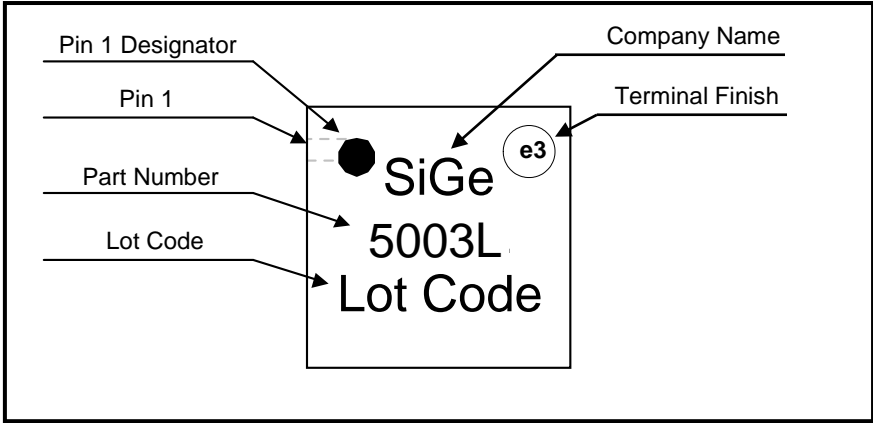


Figure 6: SE5003L Branding Information

Tape and Reel Information

Parameter	Value
Devices Per Reel	3000
Reel Diameter	13 inches
Tape Width	12 millimeters

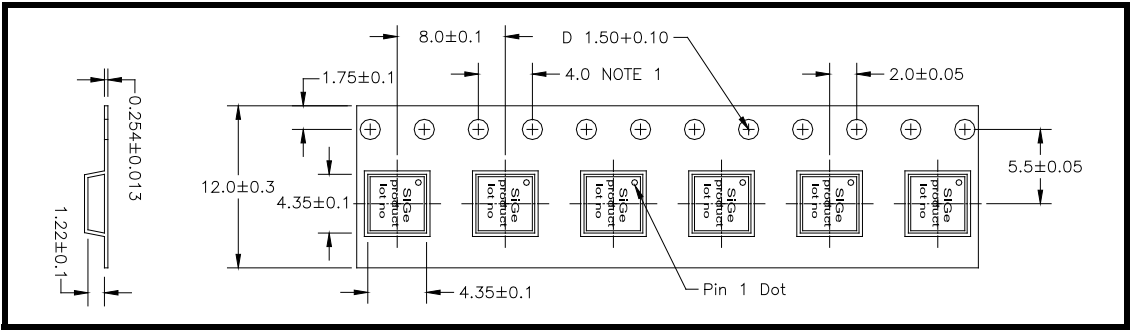


Figure 7: SE5003L-R Tape and Reel Information