

Datasheet SFM4300 series

Flow Sensor for Gas Mixing Applications



Product Summary

SFM4300 is the next generation flow meter for gas mixing applications. In a compact form factor, it offers outstanding accuracy and pressure robustness. Integrated CMOSens® Technology offers gas mixture outputs and highest performance down to smallest flows. Factory calibrations for standard gases and smart mixing options allow for easy integration and faster development time. Several options for fittings and the compact form factor support typical medical and industrial applications with compact designs.

Key characteristics

- Flow range 20 slm or 50 slm
- Calibrated for O₂, Air, N₂O, CO₂ and mixtures
- Very low noise
- Excellent repeatability
- Pressure resistant
- I²C interface
- Small
- Several fitting options

Benefits of Sensirion's CMOSens® Technology

- High reliability and long-term stability
- Best signal-to-noise ratio
- Industry-proven technology with a track record of more than 15 years
- Designed for mass production
- High process capability
- Scalability

Applications

- Medical gas mixing (e.g. anesthesia, vaporizers)
- Industrial gas mixing (e.g. welding applications, gas purging)

Contents

1	Ordering Information	2
2	Specifications	3
3	Measurement Mode	7
4	Digital Interface Description	9
5	Fluidic Specifications and Connections	17
6	Package Outline	18
7	Shipping Package	20
	Revision History	21
	Important Notices	22
	Headquarters and Subsidiaries	23

1 Ordering Information

Use the part names and item numbers shown in the following table when ordering the SFM4300. For the latest product information and local distributors, visit www.sensirion.com.

Part name	Description	Order number
SFM4300-20-B	20slm, basemount	3.000.260
SFM4300-20-O	20slm, O-rings	3.000.261
SFM4300-20-P	20slm, push in fittings (Legris)	3.000.297
SFM4300-50-B	50slm, basemount	3.000.685
SFM4300-50-O	50slm, O-rings	3.000.686
SFM4300-50-P	50slm, push in fittings (Legris)	3.000.687
SEK-SFM4300-20-P	Evaluation Kit containing 1x Adapter cable and 1x SFM4300-20-P Important: SEK sensor bridge (3.000.124) needs to be ordered separately	3.000.399

2 Specifications

2.1 Flow Specification¹

2.1.1 SFM4300-20-x

Parameter	Gases	Condition	SFM4300-20-x specification		Unit
Measurement range ²	air, O ₂ , CO ₂ , N ₂ O, mixtures ¹⁰		0 to 20		slm ³
			Typ. ⁴	Max. ⁵	
Zero point accuracy ^{6,7,8}	air, O ₂ , CO ₂ , N ₂ O		±0.005	±0.007	slm
Span accuracy ^{6,7,8}	air, O ₂	0...5slm 5...20slm	±1.7 ±2.0	±2.2 ±2.8	% of reading
	CO ₂	0...5slm 5...20slm	±1.9 ±2.9	±2.4 ±4.0	
	N ₂ O	0...5slm 5...20slm	±2.2 ±3.4	±2.8 ±4.6	
Zero point repeatability ^{6,8}	air, O ₂ CO ₂		±0.0005 ±0.0004	±0.001 ±0.0007	slm
Span repeatability ^{6,8}	air, O ₂	0...5slm 5...20slm	±0.11 ±0.21	±0.22 ±0.42	% of reading
	CO ₂	0...20slm	±0.41	±0.83	
Span shift due to temperature variation	air, O ₂ , N ₂ O	T > 25°C T < 25°C	±0.35 ±0.50	±0.55 ±0.90	% of reading / 10°C
	CO ₂	T > 25°C T < 25°C	±0.65 ±0.80	±1.05 ±1.45	
		flow (slm)	abs. pressure (bar)		
Span shift due to pressure variation	air, O ₂	20	0.66	-1.1	% of reading
			2.0	1.4	
	7.0		3.1		
	CO ₂ , N ₂ O		0.66	-2.0	
2.0		2.5			
7.0		7.5			
Flow step response time (T ₆₃)			< 5	ms	
Resolution (16 bit) ⁹	air, O ₂ , CO ₂ , N ₂ O		0.4	sccm	
Pressure Drop	air	20slm	<25 / 0.37	mbar / psi	
Calibrated for	O ₂ , Air, N ₂ O, CO ₂ , Air/O ₂ mixture ¹⁰ , N ₂ O/O ₂ mixture ¹⁰ , CO ₂ /O ₂ mixture ¹⁰				
Media compatibility	Air, N ₂ , O ₂ , N ₂ O, CO ₂ , non-condensing				

¹ Unless otherwise noted, all sensor specifications are valid at 25°C with VDD = 3.3 V, absolute pressure = 966 mbar and horizontal orientation of the sensor.

² For other ranges contact Sensirion.

³ In standard liter per minute at 20°C and 1013.25 mbar.

⁴ For "Typ." a CpK of 0.67 is targeted (95% of sensors within this limit).

⁵ For "Max." a CpK of 1.33 is targeted (99.99% of sensors within this limit).

⁶ Accuracy is the result of an error chain analysis starting from an ISO/IEC 17025 traceable instrument and ending with the calibrated SFM4300 device. Accuracy includes repeatability.

⁷ Accuracy and repeatability are determined using a time-averaged signal.

⁸ Total accuracy/repeatability is the sum of zero-point and span accuracy/repeatability.

⁹ Resolution is the smallest possible change in sensor reading upon a change in flow.

¹⁰ The span accuracy specification of gas mixtures equals the wider of the two pure gas specifications.

2.1.2 SFM4300-50-x ¹

Parameter	Gases	Condition	SFM4300-50-x specification		Unit
Measurement range ²	air, O ₂		0 to 50		slm ³
			Typ. ⁴	Max. ⁵	
Zero point accuracy ^{6,8}			±0.006	±0.007	slm
Span accuracy ^{6,8}		0...20slm	±2.1	±2.8	% of reading
		20...30slm	±2.5	±3.7	
		30...40slm	±3.1	±4.9	
		40...50slm	±3.9	±6.4	
Zero point repeatability ^{6,8}			±0.0005	±0.001	slm
Span repeatability ^{6,8}		0...30slm	±0.17	±0.33	% of reading
		30...40slm	±0.21	±0.41	
		40...50slm	±0.25	±0.50	
Span shift due to temperature variation		T > 25°C	±0.4	±0.7	% of reading / 10°C
		T < 25°C	±0.6	±1.0	
		flow (slm)	abs. pressure (bar)		
Span shift due to pressure variation	20	0.66	-1.1		% of reading
		2.0	1.4		
		7.0	3.1		
Flow step response time (T ₆₃)			< 5ms		
Resolution (16 bit) ⁹			1.0		sccm
Pressure Drop	20slm		<25 / 0.37		mbar / psi
	50slm		<100 / 1.45		
Calibrated for	O ₂ , air, other gases and mixtures on request for OEM projects				
Media compatibility	Air, N ₂ , O ₂ , N ₂ O, CO ₂ , non-condensing				

2.2 Temperature Specification¹¹

Parameter	Value
Measurement range	-20 °C to +80°C
Resolution	16 bit
Accuracy	±2°C for range -10 °C to +60 °C, ±3°C otherwise
Repeatability	0.1°C

2.3 Electrical Specifications

Parameter	Symbol	Conditions	Min.	Typical	Max.	Units	Comments
Supply voltage	VDD	Sensor only	3.0	3.3	5.5	Vdc	Recommended: 3.3V +/- 5% (calibration voltage)
Power-up/down level	VPOR		2.3	2.5	2.7	V	
Supply current	IDD	Measuring		4.2	5.7	mA	VDD = 3.3V
		Idle mode		0.055	0.6	mA	
		Sleep mode		0.4	1	µA	

2.4 Timing Specifications

Parameter	Symbol	Min.	Typical	Max.	Units	Comments
Power-up time	tPU		16	20	ms	Time to sensor ready
Soft reset time	tSR		16	20	ms	Time between soft reset command or exit sleep mode and sensor ready
Warm-up time	tw		30		ms	At 50% full scale flow rate
I ² C SCL frequency	fI2C		400	1000	kHz	
Update rate gas flow value		1800	2000	2200	Hz	No averaging
Update rate temperature value		80	90	100	Hz	
Settling time after change of gas			70		ms	

¹¹ The measured temperature is the temperature of the bulk silicon in the sensor. This temperature value is not only depending on the gas temperature, but also on the sensor's surroundings. Using the signal to measure solely the gas temperature will need special precautions, such as isolating the sensor from external temperature influences.

2.5 Mechanical Specifications

Parameter	Symbol	Min.	Typ.	Max.	Units
Operating pressure		0.66		7	bar absolute
Allowable overpressure ¹²	Pmax			10	bar gauge
Rated burst pressure	Pburst	20			bar gauge
Weight	m		31		g

2.6 Materials

Parameter	
Wetted materials	PA12 (Grilamid LKN-5H), Si, Si3N4, SiOx, epoxy, glass filled epoxy, stainless steel (meshes), EPDM ¹³ (peroxide cured, o-rings), mold compound
REACH, RoHS	REACH and RoHS compliant

2.7 Absolute Minimum and Maximum Ratings

Parameter	Rating	Units
Supply Voltage VDD	-0.3 to 5.5	V
Max Voltage on pins (SDA, SCL)	-0.3 to VDD+0.3	V
Input current on any pin	±70	mA
Operating temperature range ¹⁴	+5 to +50	°C
Storage temperature range	-40 to +80	°C
Max. humidity for long term exposure	40	°C dew point
ESD HBM (human body model)	2	kV

2.8 Pin Assignment

The SFM4300 sensor is equipped with a JST NSH connector with 6 circuits and 1.0mm pitch (model number BM06B-NSHSS-TBT(LF)(SN)). It features a secure lock and low insertion force. The pin assignment is shown below in Table 1.

Pin #	Name	Description	Comments
1	ADDR	I2C Address Selection	C.f. Sec. 4.1
2	SDA	Serial Data	Bidirectional
3	GND	Ground	
4	VDD	Supply Voltage	
5	SCL	Serial Clock	Bidirectional
6	IRQn	Interrupt Line	Active-low alarm (c.f. Sec. 3.3)

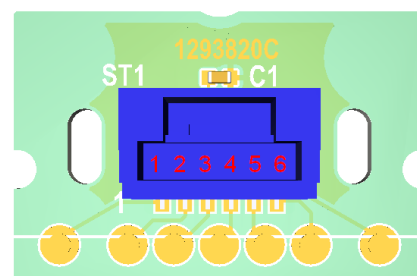


Table 1: Pin assignment

¹² The allowable overpressure will not damage the sensor. Sensor specifications are valid after applying the allowable overpressure, but not while the pressure is applied.

¹³ Please note: EPDM is not recommended for oily and/or greasy environments. Drifts in the sensor accuracy and/or leaks may occur if the o-rings in the sensor are subjected to oil and/or grease.

¹⁴ For Air and N₂. Long term exposure to (high concentrations of) O₂ at high temperatures can reduce the product lifetime

3 Measurement Mode

After the sensor receives a “start continuous measurement” command (for more details see section 4.3.1) it enters the corresponding measurement mode and continuously performs a measurement every ~0.5ms. Therefore, a new reading can be obtained every 0.5ms. A single reading consists of three measurement values: flow, temperature, and one value for a status word (for more details on status word see Section 4.3.2).

3.1 Averaging of Flow Value

Two modes for on-sensor averaging of the flow signal are available:

- 1) Average-until-read: in this mode, the sensor averages all measured values prior to read out. This averaging mode is the default mode selected upon startup and after a reset.
- 2) Fixed-N averaging: in this mode, every reading is the average of a fixed number (N) of measured flow values.

3.1.1 Average-Until-Read

If the ‘average till read’ option is chosen, the sensor averages all values x_i prior to the read out. This has the benefit that the user can read out the sensor at his own desired speed, without losing information and thus preventing aliasing. During the first 64ms of averaging, the averaged value is obtained as the arithmetic mean:

$$\bar{x} = \sum_{i=1}^M \frac{x_i}{M} \quad \text{for } t < 64 \text{ ms}$$

If the period between readouts is longer than 64ms, the sensor will continue to average, but using a different algorithm. In this algorithm, exponential smoothing is used with a smoothing factor $\alpha = 0.02$:

$$S_k = \alpha \cdot x_k + (1 - \alpha) \cdot S_{k-1}, \quad S_0 = \bar{x}, \quad \text{for } t > 64 \text{ ms}$$

Where S_0 is the arithmetic mean value after the first 64ms and the readout value for flow is S_k .

With an exponential smoothing factor of $\alpha = 0.02$, the value read out by the user is an average value of about the last 64ms. In order not to lose information, it is recommended to read out the sensor at least once every 64ms. Please refer to the relevant literature for more information about exponential smoothing.

Average-until-read is the default averaging mode after startup and after a reset. It can further be selected by the user by setting $N=0$ in the argument for the “Configuration of Averaging” command (see Sec. 4.3.5).

3.1.2 Fixed-N Averaging

Averaging may also be set to a fixed number $1 \leq N \leq 128$ of measurements to be averaged (c.f. Section 4.3.5). This type of averaging is especially suited in conjunction with the active low interrupt signaling (see Section 3.3). In this case, the update time for new readings is $N * 0.5\text{ms}$ accordingly. Averaging has the benefit that the user can read out the sensor at his own desired speed, without losing information and thus preventing aliasing. In this case, the averaged value \bar{x} is the arithmetic mean of the individual, ~2kHz measurements x_i :

$$\bar{x} = \sum_{i=1}^N \frac{x_i}{N}$$

If no averaging is desired, set N to 1.

3.2 Sensor Start-Up and Warm-Up Behavior

The typical time for system power-up (until the sensor responds to communication requests) is 16ms. The typical time from a soft reset until the sensor responds to communication requests is also 16ms if the SCL line is high.

After reset or start-up of the sensor, the sensor's internal heater is off and is automatically turned on by performing a *Start Continuous Measurement* command (see section 4.3.1). The very first measurement after *Start Continuous Measurement* is ready after approximately 12ms.

Due to the thermal measurement principle, a total warm-up time of typically 30ms is necessary for an accurate measurement. This includes the 12ms needed for measurement initialization.

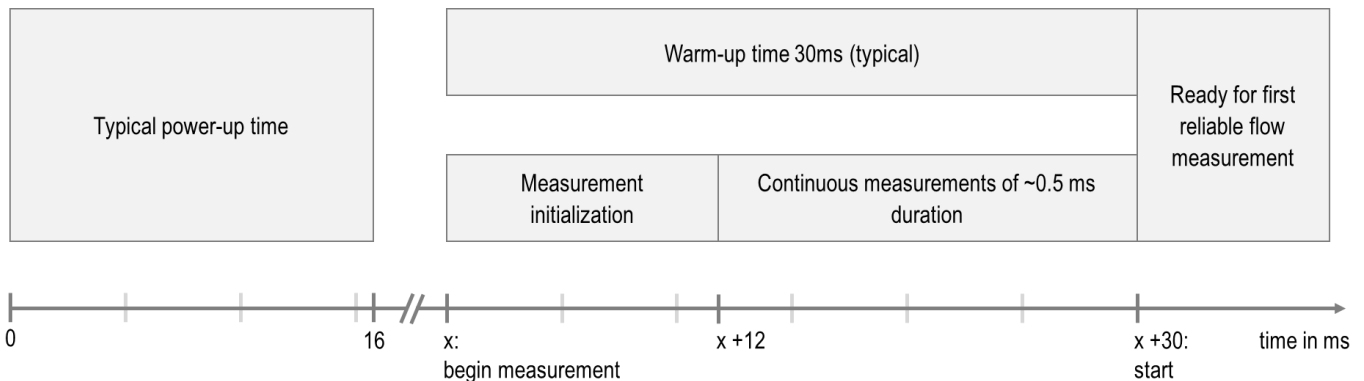


Figure 1: Timing diagram

3.3 Active-low Interrupt Signaling

An active-low interrupt signal on the IRQn pin (see section 2.8) is provided by the sensor to indicate that a reading is available.

The sensor signals available readings by pulling the IRQn line to low. When using no averaging ($N=1$, default) this will happen with a frequency of around 2kHz. With averaging turned on, the update rate will change to $2\text{kHz} / N$ accordingly.

When a measurement is read out, the IRQn line will automatically clear to high. In case the customer system tries to read out the sensor before a new measurement is available, it will receive a NACK condition on the I²C-bus.

The signal may also be used to detect if the sensor has been reset: Initially, after startup or reset of the sensor, the IRQn line is low. After the sensor receives the *Start Continuous Measurement* command (see Sec. 4.3.1) the sensor pulls the IRQn line to high.

A low signal on the IRQn line after the *Start Continuous Measurement* command has been executed therefore signals either available readings or that a reset has occurred. If the former is the case, a read command will return the corresponding measurement value. If the latter is the case, the sensor will respond with a NACK condition on the I²C-bus to reading out the sensor.

When the IRQn signal is not used, the pin should stay unconnected and must not be connected to either GND or VDD.

3.4 Sensor Check at Start-Up

The gas flow sensor checks the integrity of its entire memory content (including all lookup tables for all gases and gas mixtures and the entire configuration) at start up automatically using a CRC check sum. In case the CRC check fails, the I²C-interface is deactivated.

The following command provides a further possibility for an integrity check: Read Product Identifier (command code 0xE102, see Section 4.3.9). Ideally suited to test if the sensor is connected correctly and if the sensor has been assigned the correct I²C-address upon start-up.

4 Digital Interface Description

The sensor's digital interface is compatible with the I²C protocol. This chapter describes the available command set. For detailed information about the I²C protocol, please consult the document "NXP I²C-bus specification and user manual" (http://www.nxp.com/documents/user_manual/UM10204.pdf).

The physical interface consists of two bus lines: a data line (SDA) and a clock line (SCL) which need to be connected via pull-up resistors to the bus voltage of the system.

4.1 I²C Address

The flow sensor supports various I²C addresses which can be selected using the ADDR pin (see Sec. 2.8). Connecting the ADDR pin to GND or leaving it unconnected (floating) selects the default address. Other I²C addresses can be selected by inserting a resistor in between the ADDR pin and GND. The maximum tolerance for the resistor resistance is ±5%. Do not connect the ADDR pin to VDD.

I ² C Address (Hex)	Condition
0x2A	ADDR connected to GND or floating
0x2B	ADDR connected to GND using 1.2kOhm resistor
0x2C	ADDR connected to GND using 2.7kOhm resistor
0x2D	ADDR connected to GND using 5.6kOhm resistor

Table 2: Available I²C addresses, selectable using the ADDR pin

In the I²C protocol, a read or write bit follows the I²C address.

4.2 I²C Sequences

The commands have a length of 16 bits. If commands require an argument, they are followed by a 16-bit argument plus an 8-bit checksum:

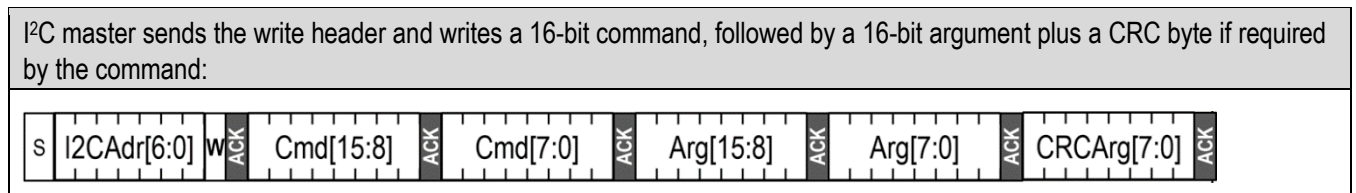


Figure 2: I²C sequences to send a command with an argument to the sensor.

After that, data is read from the sensor in multiples of 16-bit words, each followed by an 8-bit checksum to ensure communication reliability. I²C sequences can be aborted with a NACK and STOP condition as indicated below.

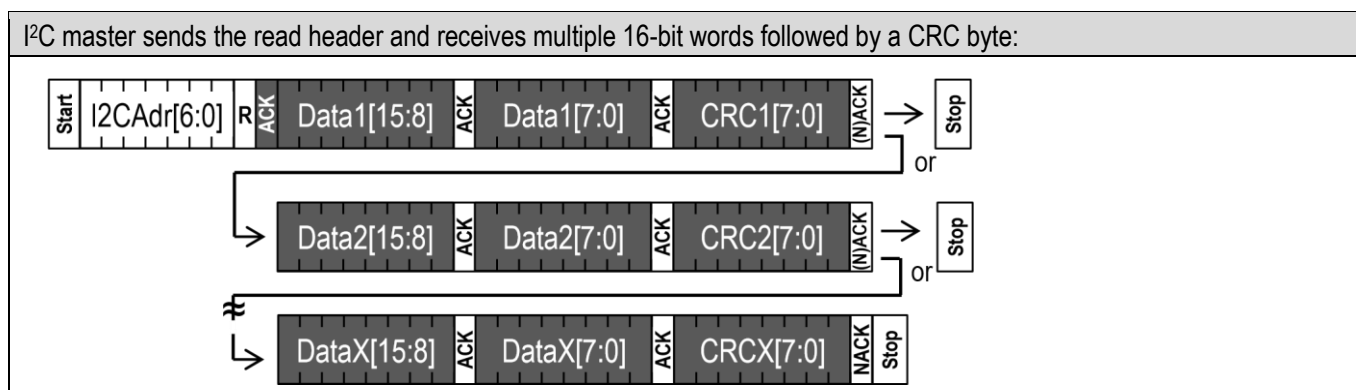


Figure 3: I²C sequences to read results from the sensor. Dark areas with white text indicate that the sensor controls the SDA (Data) line.

4.3 I²C Commands

The command set consists of a set of various commands, which are described in the following sections:

- Various Start continuous measurement commands (one for each gas/gas mixture)
- Update concentration
- Stop Continuous Measurement command
- Configuration of averaging
- Read Scale Factor, Offset, and Flow Unit
- Soft reset
- Entering and exiting sleep mode
- Read product identifier

4.3.1 Start Continuous Measurement and Read Results

The sensor measures both flow and temperature and provides a status word. All three measurement results can be read out through one single I²C read header when the continuous measurement is running. The specific command code used for the start continuous measurement command selects the calibrated gas or binary gas mixture (lookup table) for the flow signal.

Command code (Hex)	Calibrated Gas for Flow Signal SFM4300	Command argument	Averaging
0x3603	Gas 0: O ₂	N/A	According to Sec. 4.3.5
0x3608	Gas 1: Air	N/A	
0x3615	Gas 2: N ₂ O (only for 20slm version)	N/A	
0x361E	Gas 3: CO ₂ (only for 20slm version)	N/A	
0x3624	Reserved for future use	N/A	
0x362F	Reserved for future use	N/A	
0x3632	Gas mixture 0: Air-O ₂	Volume fraction of O ₂ (in ‰)	
0x3639	Gas mixture 1: N ₂ O-O ₂ (only for 20slm version)	Volume fraction of O ₂ (in ‰)	
0x3646	Gas mixture 2: CO ₂ -O ₂ (only for 20slm version)	Volume fraction of O ₂ (in ‰)	

Table 3: I²C commands to start continuous measurement

After the command has been sent, the chip continuously measures and updates the measurement results. New results (flow, temperature, and status word) can be read continuously with a single I²C read header for each measurement.

Further commands must not be sent until the stop measurement command has been sent. Consult section 4.3.4 for more details.

After the start measurement command is sent:

- the first measurement result will be available after 12ms
- small accuracy deviations (few % of reading) can occur during the first 30ms (including the 12ms)

If an I²C read header (I²C address + read bit) is sent to the sensor when no measurement data is available, the sensor will respond with a NACK condition.

Preceding command	Consecutive read	Description
Continuous measurement	Byte1: Flow 8msb Byte2: Flow 8lsb Byte3: CRC Byte4: Temp 8msb Byte5: Temp 8lsb Byte6: CRC Byte7: Status Word 8msb Byte8: Status Word 8lsb Byte9: CRC	After a start continuous measurement command, the measurement results can be read out. The temperature and the consecutive bytes don't need to be read out (every time). The read sequence can be aborted by a NACK and a STOP condition.

Table 4: Consecutive reads after I²C command to start continuous measurement. The flow and temperature values are raw data value consisting of a 16bit signed integer. For conversion into physical units refer to section 4.5.

4.3.2 Status Word

The status word is returned along with every flow and temperature measurement. It contains the measurement command that is currently running, information on the currently selected averaging mode, and the defined gas concentration of the current measurement command; either a fixed value of 0x3FF for a pure calibration gas (commands 0x3603 through 0x362F), or the volume fraction of Gas 0 in per mille for gas mixtures (commands 0x3632 through 0x3646). The table below lists the values returned by the status word.

Measurement Mode	Status Word (bits 15:0)			
Command Code of running measurement command	Bits <15:12>: currently running measurement command	Bit <11>: status of exponential smoothing	Bit <10>: averaging mode	Bits <9:0>: defined gas concentration
0x3603	0b0000	0: Exponential smoothing is not active 1: Averaging mode has switched to exponential smoothing	0: Average-Until-Read is active 1: Fixed-N averaging is active	Fixed value of 0b11111111 = 0x3FF = 1023 to indicate that a pure gas is being measured
0x3608	0b0001			
0x3615	0b0010			
0x361E	0b0011			
0x3624	0b0100			
0x362F	0b0101			
0x3632	0b0110			Volume fraction of Gas 0 (in ‰)
0x3639	0b0111			
0x3646	0b1000			

Table 5: Values returned by the status word depending on the measurement command running

4.3.3 Update Concentration

To update the concentration of a binary gas mixture dynamically, i.e. without interrupting the running measurement mode, an I²C transmission sequence consisting of a set of two instructions is provided:

Command	Command code (Hex)	Command argument	Description
Transmit concentration	0xE17D	Volume fraction of Gas 0 in ‰	This instruction transmits the concentration value to the flow sensor.
Reset I ² C address pointer	0xE000	None	This instruction resets the I ² C address pointer to the regular result output buffer such that the measurement data as described in Sections 4.2 and 4.3 are obtained upon a subsequent read header.

Table 6: I²C commands to update the concentration for binary gas mixtures

After those two commands changing the gas concentration, measurement results can be read with a read header as described in Section 4.3.1. No new start command is required.

Please note:

- The concentration value must not be updated more than once per millisecond.
- If a concentration value greater than 1000 is passed to the sensor, the measurement mode will stop.
- For the initial concentration value, which is supplied with the start measurement command (0x3632, 0x3639, or 0x3646, c.f. Sec. 4.3.1), the concentration value supplied via the command argument will be immediately applied without a need to send the second command.

Attention: Changing the gas mixture by using a new measurement command takes 12 ms to change the concentration. Therefore, the procedure to change the concentration only is significantly faster and should be used for dynamic adjustments of the concentration.

Important: During the transmission and execution of these two commands (Table 6) no I²C-read must take place.

4.3.4 Stop Continuous Measurement

Command	Command code (Hex)	Description
Stop continuous measurement	0x3FF9	This command stops the continuous measurement and puts the sensor in idle mode. After it receives the stop command, the sensor needs up to 0.5ms to power down the heater, enter idle mode and be receptive for a new command.

Table 7: I²C command to stop continuous measurement

When the sensor is in continuous measurement mode, the sensor must be stopped before it can accept another command.

The only exceptions are the soft reset (see Section 4.3.7) command and the update concentration command (see Section 4.3.3).

In idle mode the sensor will consume less power but consider the sleep mode for most effective energy saving results.

4.3.5 Configuration of Averaging

Command	Command code (Hex)	Command argument	Description
Configure averaging	0x366A	N	This command configures the sensor's averaging mode: 1) $N=0$ (default): average-until-read mode (c.f. Sec. 3) 2) $1 \leq N \leq 128$: fixed- N averaging mode. N is the number of internal measurements that are averaged for one returned measurement value (i.e. the average over N flow samples, where $N = \text{CmdArgument}$, c.f. Sec. 3). The configured averaging mode will be used for flow measurements until a reset or re-execution of this command is performed. After a reset, averaging is set to average-until-read mode (i.e. N is set to 0). The highest averaging number allowed is 128. If a higher number is used in the command argument, it will be overruled by the maximal value of 128 samples to average. If no averaging is desired, set N to 1.

Table 8: I²C command to configure averaging

4.3.6 Read Scale Factor, Offset, and Flow Unit

This command provides the scale factor and offset to convert flow readings into physical units (see Sec. 4.5). The scale factor and offset are specific to the calibrated gas / gas mixture and its corresponding lookup table used for the flow measurement. Therefore, the gas / gas mixture needs to be specified in the command argument by the command code of the corresponding start continuous measurement (see Sec. 4.3.1).

For the SFM4300 series, the flow unit is a fixed value 0x0148 and corresponds to slm: standard liter per minute at 20°C and 1013.25 mbar pressure.

Command	Command code (Hex)	Command argument (Hex)
Read Scale Factor, Offset, and Flow Unit	0x3661	Command code of desired gas / gas mixture for scale factor, offset and flow unit (see Sec. 4.3.1). The command argument needs to be followed by CRC (Section 4.2)

Preceding command	Consecutive read	Description
Read Scale Factor, Offset, and Flow Unit	Byte1: Scale factor 8msb Byte2: Scale factor 8lsb Byte3: CRC Byte4: Offset 8msb Byte5: Offset 8lsb Byte6: CRC Byte7: Flow Unit 8msb Byte8: Flow Unit 8lsb Byte9: CRC	After a “Read Scale Factor, Offset, and Flow Unit” command, the corresponding results can be read out. The scale factor and offset are a 16-bit signed integer number represented by a two’s complement (ranging from -32’768 to 32’767). The flow Unit is a 16-bit identifier

Table 9: I²C command to read the scale factor, offset, and flow unit. Result of this command.

4.3.7 Soft Reset

Command	I ² C address + W bit + command code (Hex)	Consecutive read	Description
General call reset	0x0006	NA	This sequence resets the sensor with a separate reset block, which is as much as possible detached from the rest of the system on chip. <u>Note that the I²C address is 0x00, which is the general call address, and that the command is 8 bits long.</u> The reset is implemented according to the I ² C specification.

Table 10: Reset command

After the reset command the sensor will typically take 16ms to reset. During this time the sensor will not acknowledge its address nor accept commands.

4.3.8 Entering and Exiting Sleep Mode

In sleep mode the sensor uses a minimum amount of power. The mode can only be entered from idle mode, i.e. when the sensor is not performing measurements.

This mode is particularly useful for battery operated devices. To minimize the current in this mode, the complexity of the sleep mode circuit has been reduced as much as possible, which is mainly reflected by the way the sensor exits the sleep mode. In sleep mode the sensor cannot be soft reset.

Command	Command code (Hex)	Consecutive read	Description
Enter Sleep mode	0x3677	NA	The sleep command can be sent after a stop continuous measurement command has been issued and the sensor is in idle mode.
Exit Sleep mode	NA	NA	The sensor exits the sleep mode and enters the idle mode when it receives the valid I²C address and a write bit ('0') . Note that the I ² C address is not acknowledged. It is necessary to poll the sensor to see whether the sensor has received the address and has woken up. This should take typically 16ms.

Table 11: Sleep mode commands

4.3.9 Read Product Identifier

The product identifier and the serial number can be read out by sending the command below. The command can only be entered from the idle mode, i.e. when the sensor is not performing measurements

Command	Command code (Hex)	Consecutive read	Description
Read product identifier	0xE102	Byte1: Product number [31:24] Byte2: Product number [23:16] Byte3: CRC Byte4: Product number [15:8] Byte5: Product number [7:0] Byte6: CRC Byte7: Serial number [63:56] Byte8: Serial number [55:48] Byte9: CRC Byte10: Serial number [47:40] Byte11: Serial number [39:32] Byte12: CRC Byte13: Serial number [31:24] Byte14: Serial number [23:16] Byte15: CRC Byte16: Serial number [15:8] Byte17: Serial number [7:0] Byte18: CRC	<p>Note that the command needs to be preceded with an I²C write header (I²C address + W).</p> <p>The command returns:</p> <ul style="list-style-type: none"> - 32 bit unique product and revision number. The number is listed in Table 13 below. <i>Note that the last 8 bits are the revision number and are subject to change as long as the datasheet is preliminary.</i> - 64 bit unique serial number in the format of an unsigned long integer. <p>The serial number can be converted from binary into decimal, whereby in decimal it has the following format: <i>yywwwxxxxx</i>, where: <i>yy</i>: last 2 digits of calibration year, <i>ww</i>: calibration week, <i>xxxxxx</i>: unique 6-digit sequential number within the calibration week.</p>

Table 12: Read product identifier

Product	Product identifier
SFM4300-20-B	0x0403011x
SFM4300-20-O	0x0403021x
SFM4300-20-P	0x0403031x
SFM4300-50-B	0x0403091x
SFM4300-50-O	0x0403071x
SFM4300-50-P	0x0403061x

Table 13: Product number for SFM4300 (Last two bits: ...8x indicating a prototype, ...1x indicating finalized products)

4.4 Checksum Calculation

The 8-bit CRC checksum transmitted after each data word is generated by a CRC algorithm. Its properties are listed in Table 14. The CRC covers the contents of the two previously transmitted data bytes. To calculate the checksum, only these two previously transmitted data bytes are used.

Property	Value
Name	CRC-8
Protected data	read data
Width	8 bit
Polynomial	$0x31 (x^8 + x^5 + x^4 + 1)$
Initialization	0xFF
Reflect input	False
Reflect output	False
Final XOR	0x00
Example	CRC (0xBEEF) = 0x92

Table 14: Checksum definition

4.5 Number Format and Conversion to Physical Values

The number format of the flow and temperature signals and the conversion to a physical value with a scale factor and an offset where applicable is explained below:

4.5.1 Scale Factors and Offsets

SFM4300-20 versions

Signal	Scale Factor	Offset	Comment
Flow Gas 0: O ₂	2'500 slm ⁻¹	-28'672	Can be read out using an I ² C-command (c.f. Sec. 0)
Gas 1: Air	2'500 slm ⁻¹	-28'672	
Gas 2: N ₂ O	2'500 slm ⁻¹	-28'672	
Gas 3: CO ₂	2'500 slm ⁻¹	-28'672	
Gas mixture 0: Air-O ₂	2'500 slm ⁻¹	-28'672	
Gas mixture 1: N ₂ O-O ₂	2'500 slm ⁻¹	-28'672	
Gas mixture 1: CO ₂ -O ₂	2'500 slm ⁻¹	-28'672	
Temperature	200 °C ⁻¹	0	

Table 15: Scale factors and offsets for SFM4300-20-x

SFM4300-50 versions

Signal	Scale Factor	Offset	Comment
Flow Gas 0: O ₂	1'000 slm ⁻¹	-28'672	Can be read out using an I ² C-command (c.f. Sec. 0)
Gas 1: Air	1'000 slm ⁻¹	-28'672	
Gas 2: N ₂ O	N/A	N/A	
Gas 3: CO ₂	N/A	N/A	
Gas mixture 0: Air-O ₂	1'000 slm ⁻¹	-28'672	
Gas mixture 1: N ₂ O-O ₂	N/A	N/A	
Gas mixture 1: CO ₂ -O ₂	N/A	N/A	
Temperature	200 °C ⁻¹	0	

Table 16: Scale factors and offsets for SFM4300-50-x

4.5.2 Flow

The digital calibrated gas flow signal read from the sensor is a 16-bit signed integer number represented by a two's complement (ranging from -32'768 to 32'767). The integer value can be converted to the physical value by subtracting the offset and dividing it by the scale factor (gas flow in *slm* = $\frac{\text{sensor output} - \text{offset}}{\text{scale factor}}$). The scale factor and offset are specific to every calibrated gas / gas mixture / lookup table.

The flow unit *slm* signifies standard liters per minute with reference temperature equal to 20°C and reference pressure equal to 1013.25 mbar.

4.5.3 Temperature

The digital calibrated temperature signal read from the sensor is a 16-bit signed integer number represented by a two's complement (ranging from -32'768 to 32'767). The integer value can be converted to the physical value by subtracting the offset and dividing it by the scale factor (temperature in °C = $\frac{\text{Sensor Output} - \text{offset}}{\text{Scale factor}}$).

4.5.4 Flow Unit

The flow unit is specific to every calibrated gas / gas mixture / lookup table and is specified in section 4.5.1. It can further be read out using an I²C-command (Section 4.3.6). The flow unit is given by a 16-bit unsigned word, where the information about the unit is encoded in the first 13 bits as follows:

1. Bits <3:0>: unit prefix (multiplier)
2. Bits <7:4>: time base (e.g. per minute)
3. Bits <12:8>: unit (e.g. standard liter)

The allowed values for the 3 unit constituents are given in the table below:

Bits <12:8>	Signification: Unit	Bits <7:4>	Signification: Time Base	Bits <3:0>	Signification: Unit Prefix	overall code (16 bits)	Signification: flow unit
0b00001 = 1	standard liter (T ₀ =20°C, p ₀ = 1013.25 mbar)	0b0100 = 4	per minute	0b1000 = 8	10 ⁰ = 1	0b 0000 0001 0100 1000 = 0x0148 = 328	standard liter per minute (slm) with reference temperature = 20°C and reference pressure = 1013.25 mbar

Table 17: Possible result(s) for the flow unit

5 Fluidic Specifications and Connections

Parameter	Value SFM4300-xx-B	SFM4300-xx-O	SFM4300-xx-P
Fluidic connector ports (fittings)	Basemount flanges	O-ring connection	8mm Legris Push-In fittings
Recommended pneumatic connection	Base plate with 7mm inner diameter openings	Port matched to o-ring fitting with 8mm inner diameter openings	outer diameter of tube = 8mm inner diameter \geq 6mm
Calibration orientation (use for max. accuracy)	Horizontal	Horizontal	Horizontal

Table 18: Fluidic specifications and connections

Calibration orientation is horizontal with electrical connector facing upwards. For best accuracy it is recommended to mount the sensor horizontally. Other orientation will result in a small offset depending on the angle, pressure conditions and on the medium used.

For the basemount version SFM4300-xx-B, only the basemount screw holes on the sides of the sensor should be used to fix the sensor on a support. The holes in the green cap may not be used to apply any downwards pressure, as this would cause mechanical stress to the sensor housing and could lead to malfunctioning.

6 Package Outline

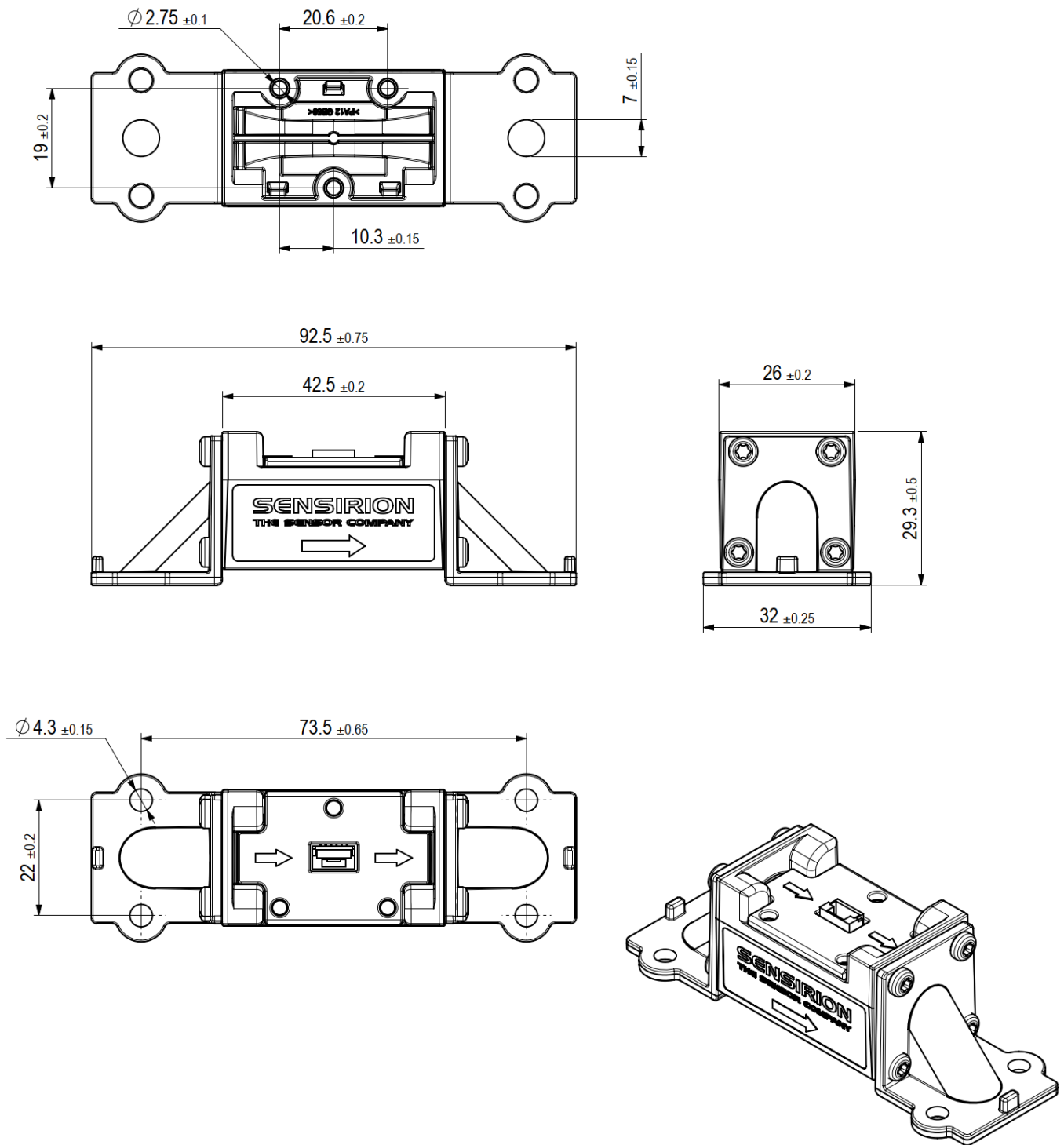


Figure 4: Nominal dimensions of the SFM4300-xx-B flow (all dimensions in mm)

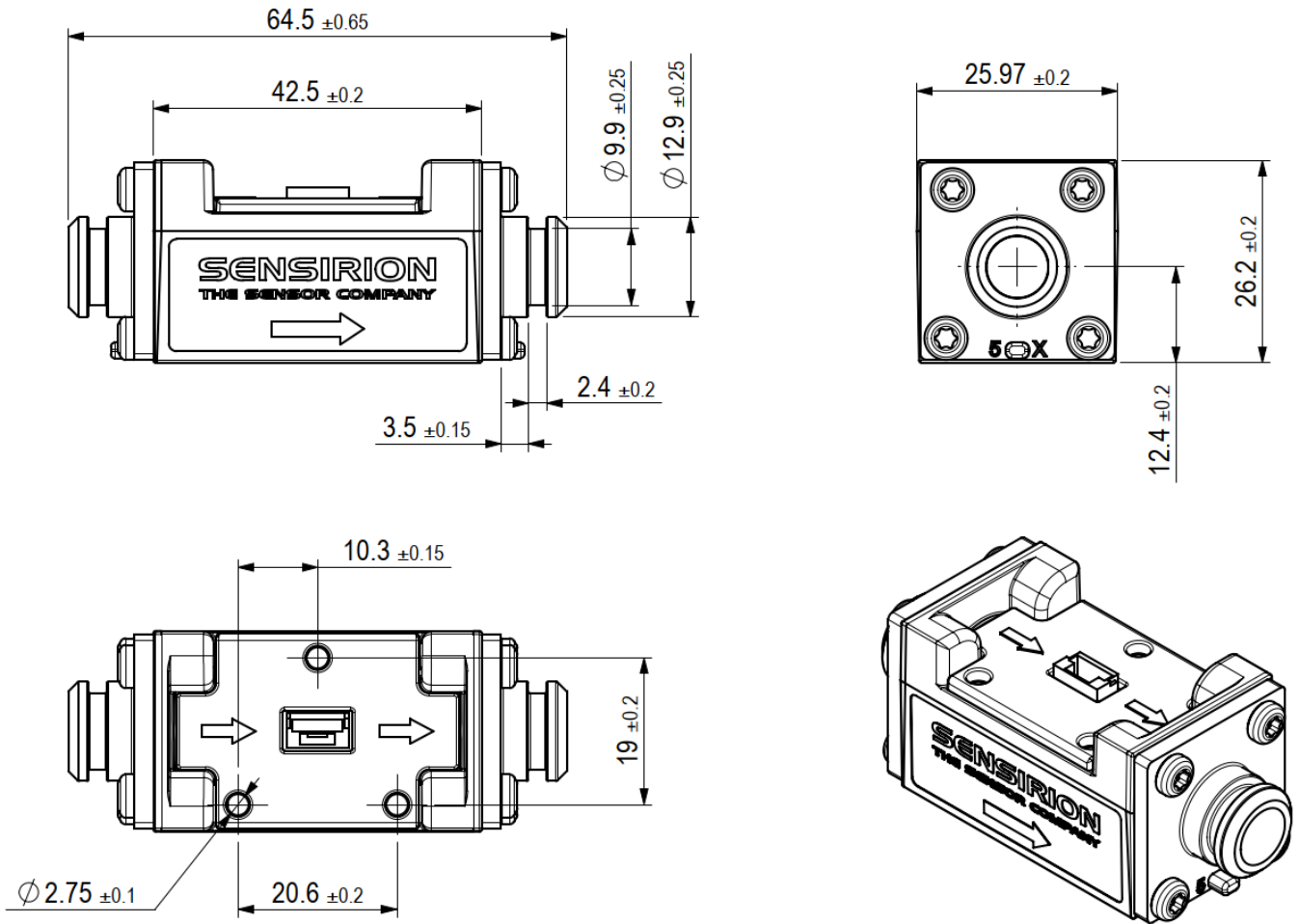


Figure 5: Nominal dimensions of the SFM4300-xx-O flow (all dimensions in mm)

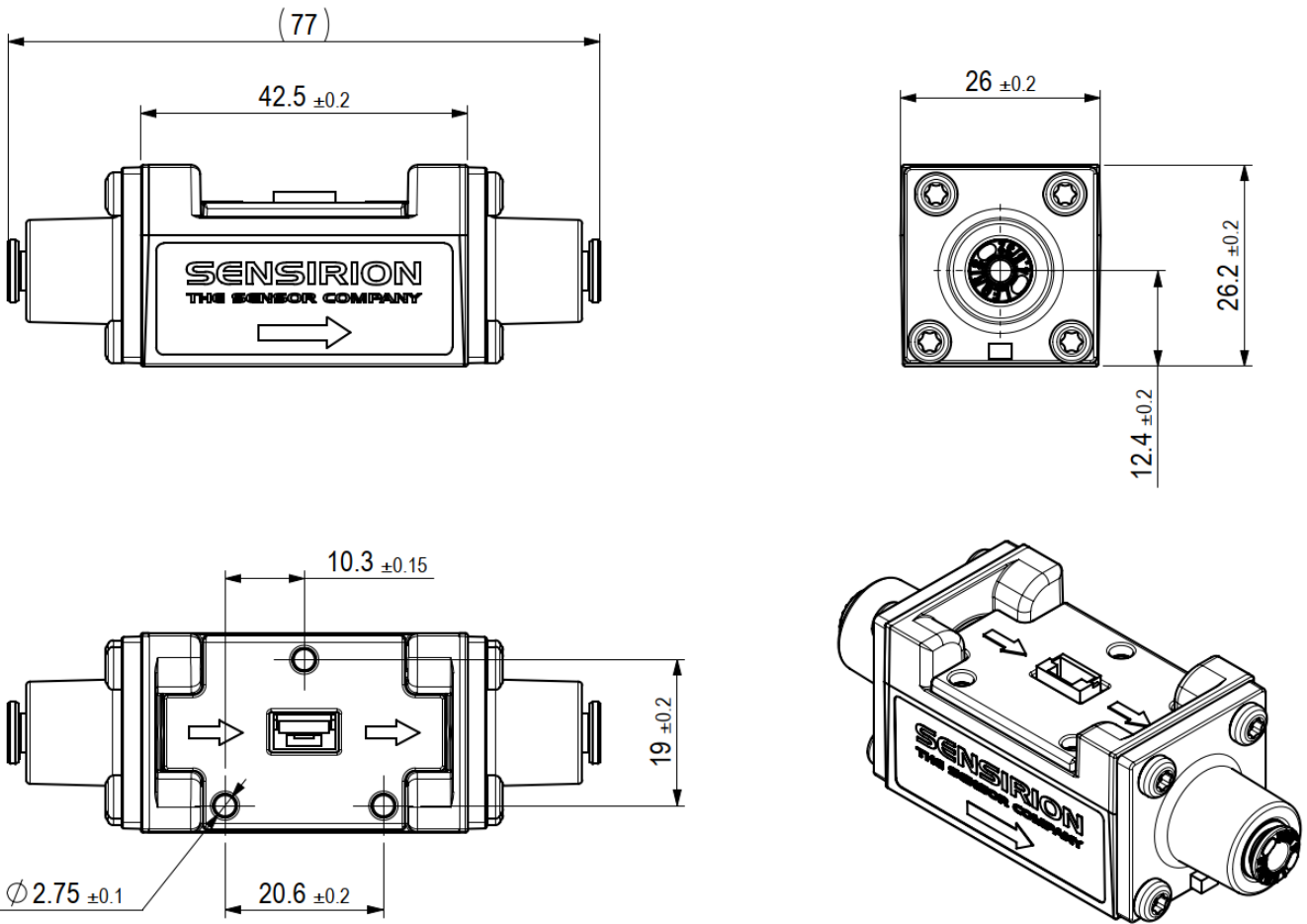


Figure 6: Nominal dimensions of the SFM4300-xx-P (all dimensions in mm)

7 Shipping Package

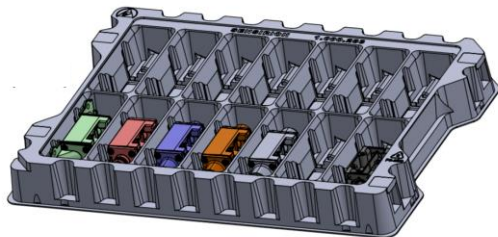


Figure 7: Tray with 14 pcs per Tray. Tray Dimensions (357mm x 257mm x 39.8mm)

Shipping boxes have the following outer dimensions:

MPQ: 56 pcs (4 trays plus one empty tray as cover): 38cm x 29cm x 21cm

MPQ 336 pcs: 60cm x 40cm x 50cm.

Revision History

Date	Author	Version	Changes
04/2022	PSIM	1.0	first release

Important Notices

Warning, personal injury

Do not use this product as safety or emergency stop devices or in any other application where failure of the product could result in personal injury (including death). Do not use this product for applications other than its intended and authorized use. Before installing, handling, using or servicing this product, please consult the datasheet and application notes. Failure to comply with these instructions could result in death or serious injury.

If the Buyer shall purchase or use SENSIRION products for any unintended or unauthorized application, Buyer shall defend, indemnify and hold harmless SENSIRION and its officers, employees, subsidiaries, affiliates and distributors against all claims, costs, damages and expenses, and reasonable attorney fees arising out of, directly or indirectly, any claim of personal injury or death associated with such unintended or unauthorized use, even if SENSIRION shall be allegedly negligent with respect to the design or the manufacture of the product.

ESD Precautions

The inherent design of this component causes it to be sensitive to electrostatic discharge (ESD). To prevent ESD-induced damage and/or degradation, take customary and statutory ESD precautions when handling this product.

See application note "Handling Instructions" for more information.

Warranty

SENSIRION warrants solely to the original purchaser of this product for a period of 12 months (one year) from the date of delivery that this product shall be of the quality, material and workmanship defined in SENSIRION's published specifications of the product. Within such period, if proven to be defective, SENSIRION shall repair and/or replace this product, in SENSIRION's discretion, free of charge to the Buyer, provided that:

- notice in writing describing the defects shall be given to SENSIRION within fourteen (14) days after their appearance;
- such defects shall be found, to SENSIRION's reasonable satisfaction, to have arisen from SENSIRION's faulty design, material, or workmanship;
- the defective product shall be returned to SENSIRION's factory at the Buyer's expense; and
- the warranty period for any repaired or replaced product shall be limited to the unexpired portion of the original period.

This warranty does not apply to any equipment which has not been installed and used within the specifications recommended by SENSIRION for the intended and proper use of the equipment. EXCEPT FOR THE WARRANTIES EXPRESSLY SET FORTH HEREIN, SENSIRION MAKES NO WARRANTIES, EITHER EXPRESS OR IMPLIED, WITH RESPECT TO THE PRODUCT. ANY AND ALL WARRANTIES, INCLUDING WITHOUT LIMITATION, WARRANTIES OF MERCHANTABILITY OR FITNESS FOR A PARTICULAR PURPOSE, ARE EXPRESSLY EXCLUDED AND DECLINED.

SENSIRION is only liable for defects of this product arising under the conditions of operation provided for in the datasheet and proper use of the goods. SENSIRION explicitly disclaims all warranties, express or implied, for any period during which the goods are operated or stored not in accordance with the technical specifications.

SENSIRION does not assume any liability arising out of any application or use of any product or circuit and specifically disclaims any and all liability, including without limitation consequential or incidental damages. All operating parameters, including without limitation recommended parameters, must be validated for each customer's

applications by customer's technical experts. Recommended parameters can and do vary in different applications.

SENSIRION reserves the right, without further notice, (i) to change the product specifications and/or the information in this document and (ii) to improve reliability, functions and design of this product.

Copyright © 2020, SENSIRION.
CMOSens® is a trademark of Sensirion
All rights reserved