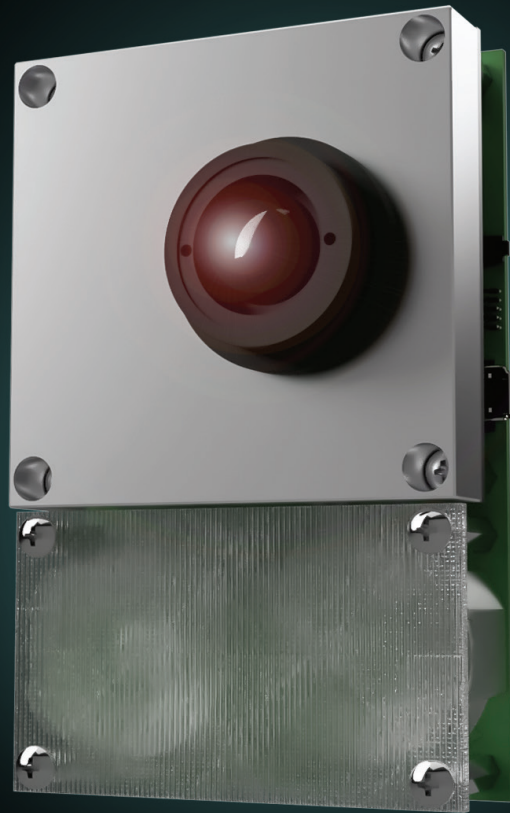


# LeddarTech®



## LEDDAR M16

MULTI-ELEMENT  
SENSOR MODULE

# LEDDAR M16

## HIGH-PERFORMANCE, COST-EFFECTIVE, DETECTION AND RANGING FOR ANY ENVIRONMENT

### MULTI-ELEMENT SENSOR MODULE

The Leddar® M16 Sensor Module is an advanced sensing solution that combines 16 independent active elements into a single sensor, resulting in rapid, continuous and accurate detection and ranging — including lateral discrimination — in the entire wide beam, without any moving parts. The Leddar M16 can be easily integrated to add sensing intelligence to almost any application, enabling developers and integrators to make the most of this cutting-edge technology while providing unmatched flexibility.

### RECEIVER ASSEMBLY

The Leddar receiver includes 16 independent segments with simultaneous acquisition capabilities. Several beam options are available, ranging from 9° to 95° (see back page). The beam width and height depend on the selected beam option.

### SOURCE AND CONTROL ASSEMBLY

The Leddar source and control assembly includes IR LED emitters with a dominant wavelength of 940 nm and incorporates the processing and I/O for the targeted applications. The source and control assembly beam matches the receiver assembly.

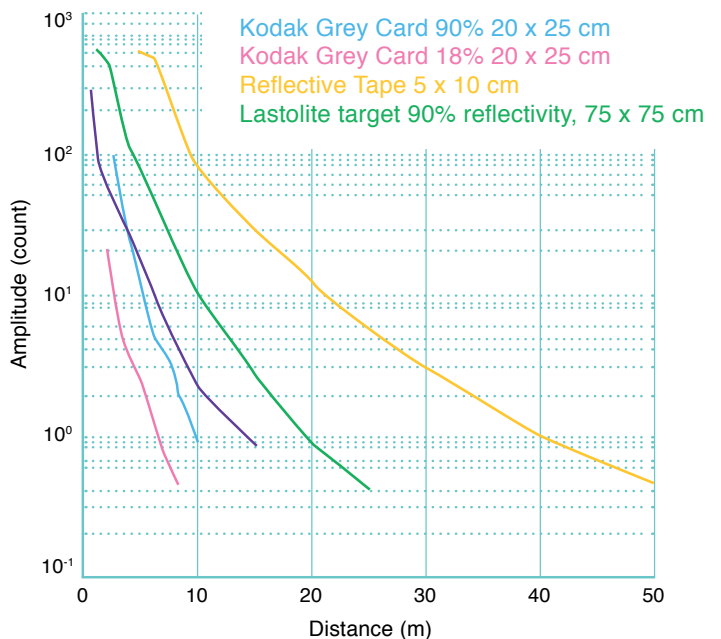
### INTERFACES

A 3.81 mm x 8 pin male header is provided for interfacing through a cable harness or terminal block. A USB “Mini-B” connector is also provided for use with the Leddar® Software Development Kit, and a 2 x 20, 0.050” header is provided for custom expansion. Please contact the factory for specific interface requirements.

### SOFTWARE DEVELOPMENT KIT (SDK)

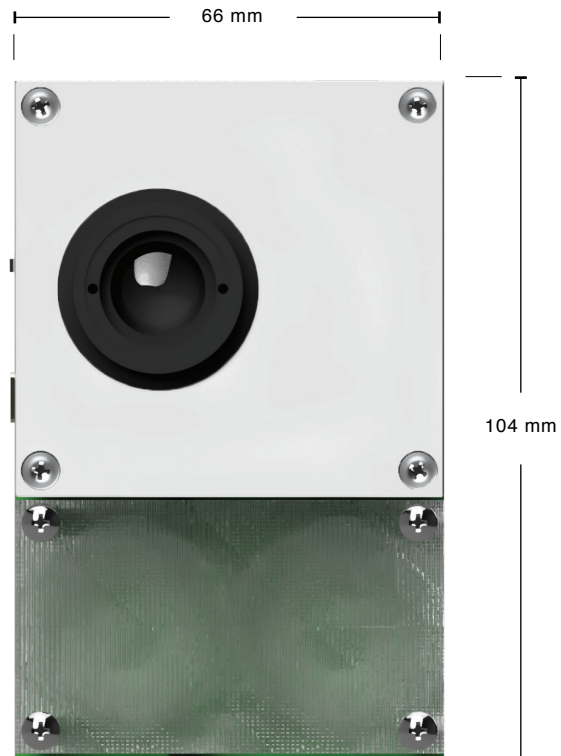
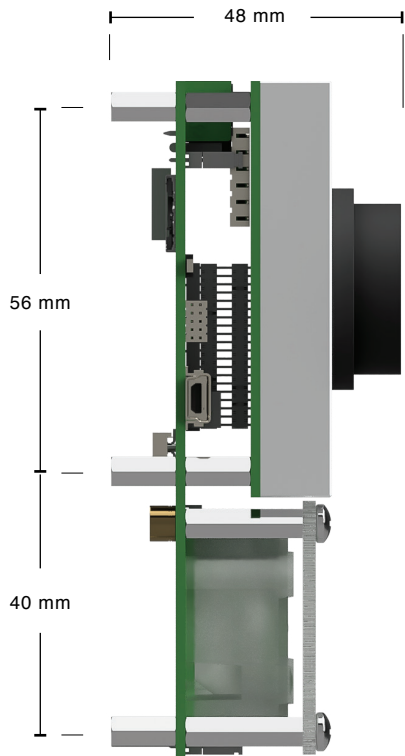
The Leddar Enabler SDK provides a user-friendly application programming interface (API) with .Net and C libraries and code examples. Sample code for RS-485/MODBUS for both Windows and Linux, as well as LabVIEW and MATLAB integration examples, are also provided.

### AMPLITUDE VS DISTANCE



The chart above displays the detection amplitude of a 45° sensor for five reference objects (photography grey cards and reflective tape) of varying size and reflectivity.

# LEDDAR M16



The module can be mounted from the back with six M3 machine screws.

## CHARACTERISTICS

- **Beams** 9°, 18°, 24°, 34°, 45°, 95°
- **Interfaces** USB, RS-485, CAN, UART
- **Wavelength** 940 nm
- **Power supply** 12 or 24 VDC (jumper - selectable)
- **Dimensions** 104 mm x 66mm x 48mm<sup>1</sup>
- **Weight** 180 g

<sup>1</sup> Apply to 45-degree model; different dimensions apply to other models, according to optics.

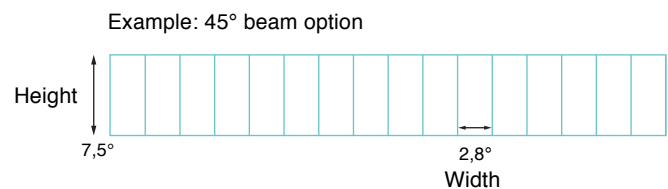
## SYSTEM PERFORMANCE

- **Detection range** 0 to 100 meters (325 ft.)<sup>2</sup>
- **Accuracy** 5 cm
- **Data refresh rate** 6.25 Hz to 100 Hz<sup>3</sup>
- **Operating temperature range** -40°C to + 85°C
- **Meets IEC 62471 2006 criteria:** Exempt lamp classification
- **Distance precision** 6 mm
- **Distance resolution** 10 mm
- **Power consumption** 4 W

<sup>2</sup> Varies according to optics and target.

<sup>3</sup> Depends on configuration.

## HEIGHT AND WIDTH OF 45° BEAM OPTION



## ORDERING INFORMATION

### LED - MOD - XX - 10

□ Beam selection:  
9°, 18°, 24°, 34°, 45°, 95°

□ Interfaces :  
10 = USB, RS-485, CAN, UART