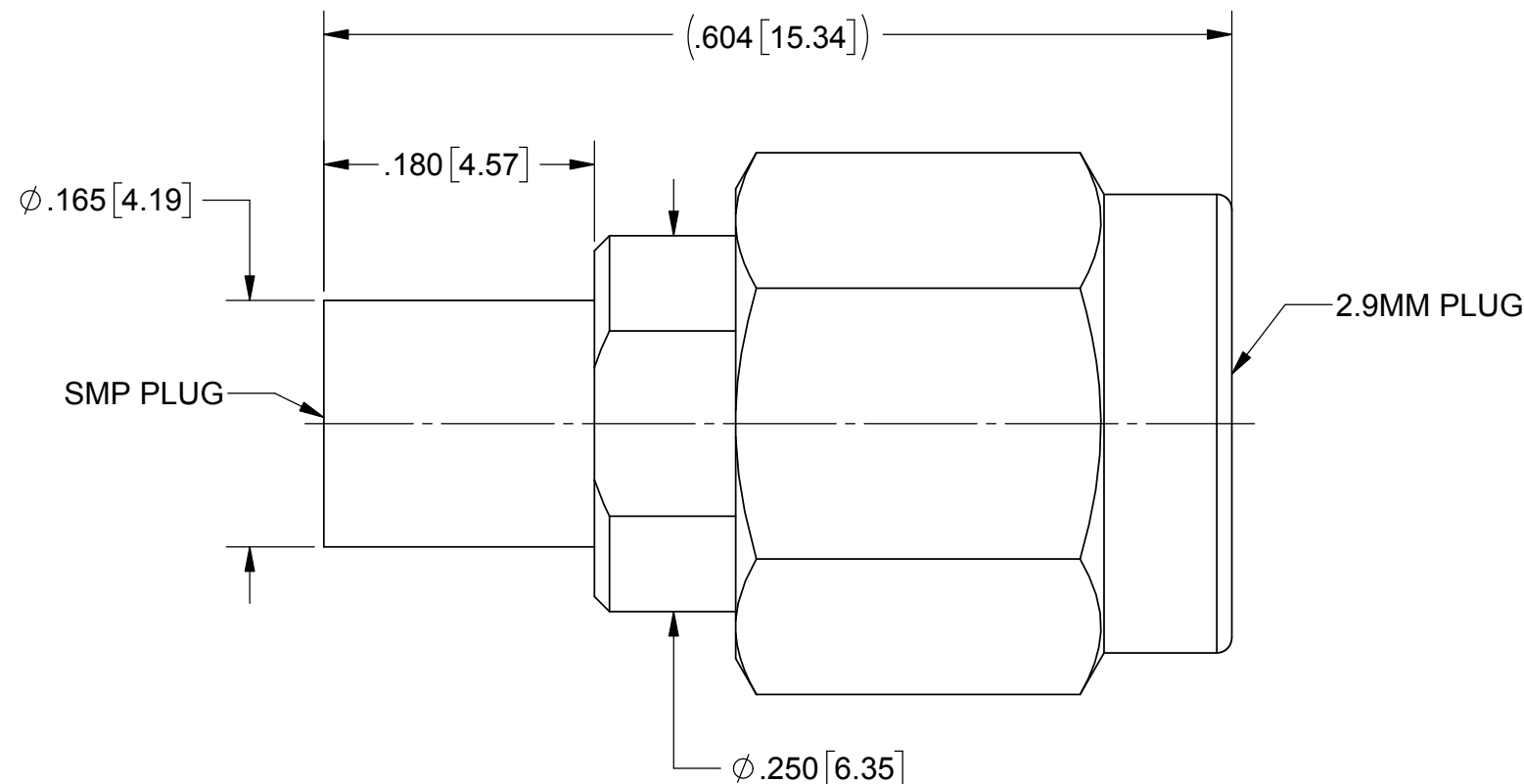
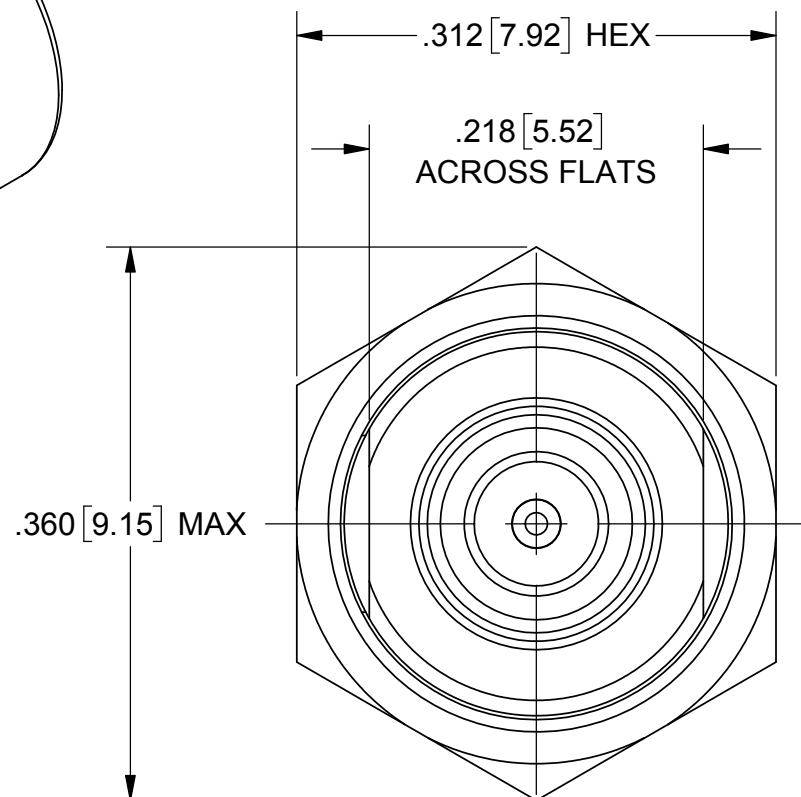
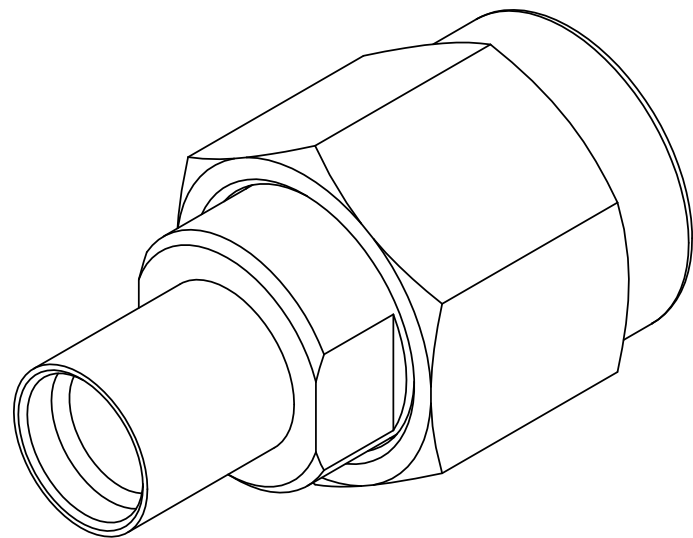


PRODUCT DATA DRAWING

REVISION HISTORY			
REV	DESCRIPTION	DATE	APPROVED
-	DCN 43165	03/17	MAL
A	DCN 46719	08/17	STW



- MATERIAL:**
- BODY, INSERT & COUPLING NUT: STAINLESS STEEL PER AMS-5640, ALLOY UNS S30300, TYPE 1
- LOCK RING & CONTACT: BERYLLIUM COPPER PER ASTM B196, ALLOY No. UNS C17300, TD04
- BEAD: ULTEM 1000 PER ASTM D5205
- INSULATOR: PTFE PER ASTM D1710, TYPE I, GRADE 1, CLASS B
- FINISH:**
- BODY, INSERT & COUPLING NUT: PASSIVATED PER AMS-2700, TYPE 2
- CONTACT: GOLD PER ASTM B488, TYPE II, CODE C, CLASS 1.27; OVER NICKEL PER AMS-QQ-290, CLASS 1, .00005" MIN.

- PERFORMANCE:**
- IMPEDANCE: 50 OHMS
- FREQ. RANGE: DC TO 40.0 GHZ
- DWV: 500 VRMS

PART NUMBER	INTERFACE
SF1115-6080	SMOOTH BORE
SF1115-6081	FULL DETENT

MATERIAL: SEE NOTES	DIMENSIONS ARE IN INCHES TOLERANCES: FRACTIONAL: ±1/64 ANGULAR: X° ±1'0" X°X' ±15'	UNLESS OTHERWISE SPECIFIED 1) ALL DIMENSIONS ARE IN INCHES (MILLIMETERS) 2) ALL DIMENSIONS ARE AFTER PLATING. 3) BREAK CORNERS & EDGES .005 R. MAX. 4) CHAM. 1ST & LAST THREADS. 5) SURFACE ROUGHNESS 63-MIL-STD-10. 6) DIA.'S ON COMMON CENTERS TO BE CONCENTRIC WITHIN .005 T.I.R. 7) REMOVE ALL BURRS	 2400 Centrepark West Drive, Suite 100 West Palm Beach, FL 33409 TITLE: 2.92MM PLUG TO SMP PLUG ADAPTOR
FINISH: SEE NOTES	DECIMAL: X ±.030 .XX ±.010 .XXX ±.005	INTERPRET DIMENSIONS AND TOLERANCES PER ASME Y14.5M - 1994	
SURFACE AREA: N/A	THIRD ANGLE PROJECTION	DRAWN: VB 03/03/17	SIZE: B CAGE CODE: 95077 DWG. NO. SF1115-6080-6081
PROPRIETARY THE INFORMATION CONTAINED IN THIS DRAWING IS THE SOLE PROPERTY OF SV MICROWAVE, INC. ANY REPRODUCTION IN PART OR AS A WHOLE WITHOUT THE WRITTEN PERMISSION OF SV MICROWAVE, INC IS PROHIBITED.		CHECKED: MAL 03/03/17	SCALE: 8:1
		APPROVED: MAL 03/03/17	SHEET 1 OF 1