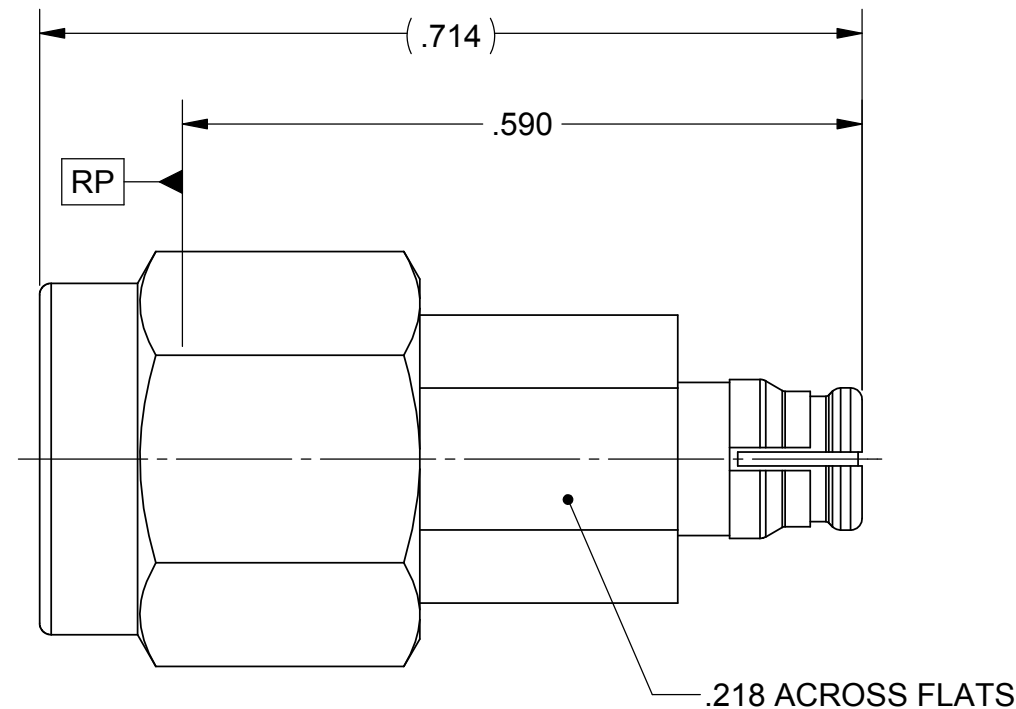
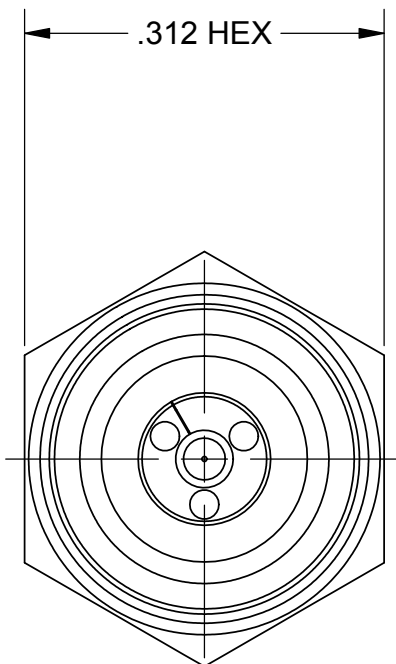
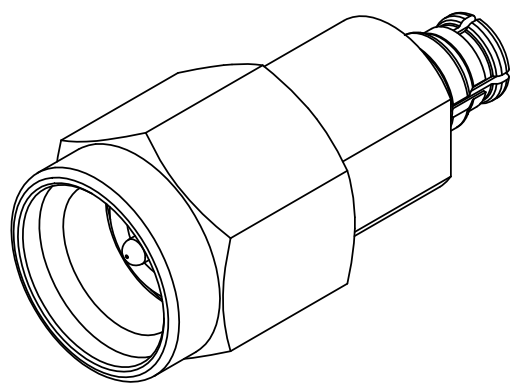


PRODUCT DATA DRAWING

| REVISION HISTORY | | | |
|------------------|-------------|------|----------|
| REV | DESCRIPTION | DATE | APPROVED |
| A | DCN 46715 | 8/17 | STW |
| | | | |



MATERIAL:

- INSERT & COUPLING NUT: STAINLESS STEEL PER AMS-5640, ALLOY UNS S30300, TYPE 1
- BODY, LOCK RING, ALIGNMENT SPRING & CONTACT: BERYLLIUM COPPER PER ASTM B196, ALLOY No. UNS C17300, TD04
- BEAD: ULTEM 1000 PER ASTM D5205
- INSULATOR: PTFE PER ASTM D1710, TYPE I, GRADE 1, CLASS B

FINISH:

- INSERT & COUPLING NUT: PASSIVATED PER AMS-2700
- BODY, CONTACT & ALIGNMENT SPRING: GOLD PER ASTM B488, TYPE II, CODE C, CLASS 1.27; OVER NICKEL PER AMS-C-26074, CLASS 1, .00005" MIN.

PERFORMANCE:

- IMPEDANCE: 50 OHMS
- FREQ. RANGE: DC TO 40.0 GHz
- VSWR: 1.25:1 DC TO 40.0 GHz

| | | | |
|---|--|--|--|
| MATERIAL: SEE NOTES | DIMENSIONS ARE IN INCHES TOLERANCES: FRACTIONAL: ±1/64 ANGULAR: X° ±1'0" X"X' ±15' | UNLESS OTHERWISE SPECIFIED 1) ALL DIMENSIONS ARE IN INCHES (MILLIMETERS) 2) ALL DIMENSIONS ARE AFTER PLATING. 3) BREAK CORNERS & EDGES .005 R. MAX. 4) CHAM. 1ST & LAST THREADS. 5) SURFACE ROUGHNESS 63-MIL-STD-10. 6) DIA. 'S ON COMMON CENTERS TO BE CONCENTRIC WITHIN .005 T.I.R. 7) REMOVE ALL BURRS | 2400 Centrepark West Drive, Suite 100 West Palm Beach, FL 33409 TITLE: 2.92MM PLUG TO SMP JACK ADAPTOR |
| FINISH: SEE NOTES | DECIMAL: X ±.030 .XX ±.010 .XXX ±.005 | INTERPRET DIMENSIONS AND TOLERANCES PER ASME Y14.5M - 1994 | |
| SURFACE AREA: N/A | THIRD ANGLE PROJECTION | DRAWN: VB 03/03/17 | SIZE: B CAGE CODE: 95077 DWG. NO.: SF1115-6082 |
| PROPRIETARY THE INFORMATION CONTAINED IN THIS DRAWING IS THE SOLE PROPERTY OF SV MICROWAVE, INC. ANY REPRODUCTION IN PART OR AS A WHOLE WITHOUT THE WRITTEN PERMISSION OF SV MICROWAVE, INC IS PROHIBITED. | | CHECKED: MAL 03/03/17 | SCALE: 6:1 |
| | | APPROVED: MAL 03/03/17 | SHEET 1 OF 1 |