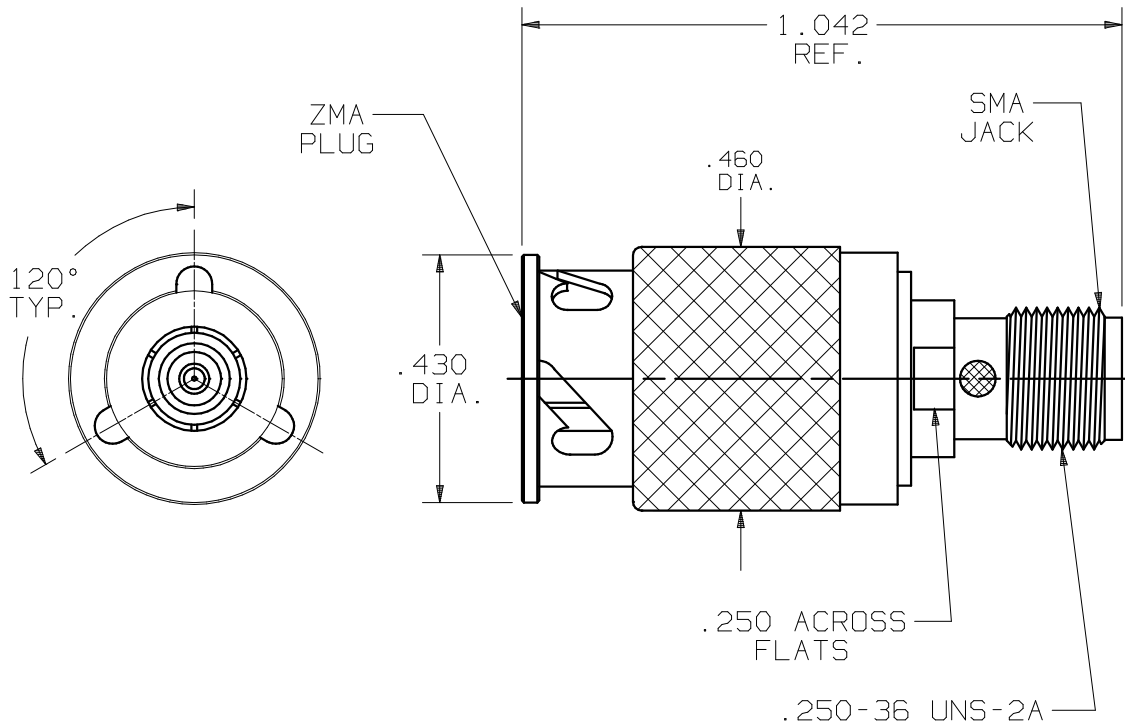


PRODUCT DATA DRAWING

CAD GENERATED DRAWING	DCN CONTROLLED DOCUMENT	DWG. NO. SF1122-6032
-----------------------------	-------------------------------	--------------------------------



MATERIALS:

BODY,
WASHERS,
COUPLING NUT: STAINLESS STEEL PER
AMS-5640, UNS S30300 (TYPE I), COND. A
INSULATOR: TEFLON PER ASTM-D-1457.
CONTACTS &
LOCK RING: BERYLLIUM COPPER PER ASTM-B196
COND. TDO4, ALLOY UNS-C17300.
SPRING: 17-7 PH STAINLESS STEEL.

FINISHES:

BODY,
SPRING,
WASHERS,
COUPLING NUT: PASSIVATE PER QQ-P-35C
CONTACTS: GOLD PER MIL-G-45204, TYPE I,
GRADE C, CLASS 0 OVER NICKEL PER QQ-N-290
CLASS 1

ELECTRICAL:

IMPEDANCE: 50 OHMS
FREQ. RANGE: DC-12.4 GHz
D.W.V.: 1000 VRMS
INSUL. RES.: 5,000 MEGOHMS MIN

SYM.	DESCRIPTION	DATE	APPR.	UNLESS OTHERWISE SPECIFIED:	DIMENSIONS ARE IN INCHES			<i>SV Microwave, Inc.</i> 2400 Centrepark West Drive, Suite 100 West Palm Beach, FL 33409
—	REL. DCN 24935	12/98	JM	1) ALL DIMENSIONS ARE AFTER PLATING. 2) BREAK CORNERS & EDGES .005 R. MAX. 3) CHAM. 1st & LAST THDS. 4) SURFACE ROUGHNESS 63 J MIL-STD-10. 5) DIAS. ON COMMON CENTERS TO BE CONCENTRIC WITHIN .005 T.I.R. 6) REMOVE ALL BURRS.	TOLERANCES: DECIMALS FRACTIONAL ANGULAR .X ±.030 X° ±1°0' .XX ±.015 ±1/64 X°X' ±15' .XXX ±.005			
A	REV. DCN 28217	04/02	STW		MATERIAL: SEE P/L FINISH: SEE P/L AREA: N/A			DWG. NO. SF1122-6032
				DRAWN: VMJ 12/03/98	SIZE	CAGE NO.	SCALE	
				CHECKED: JM 12/04/98	A	95077	3X	
				APPROVED: JM 12/04/98				