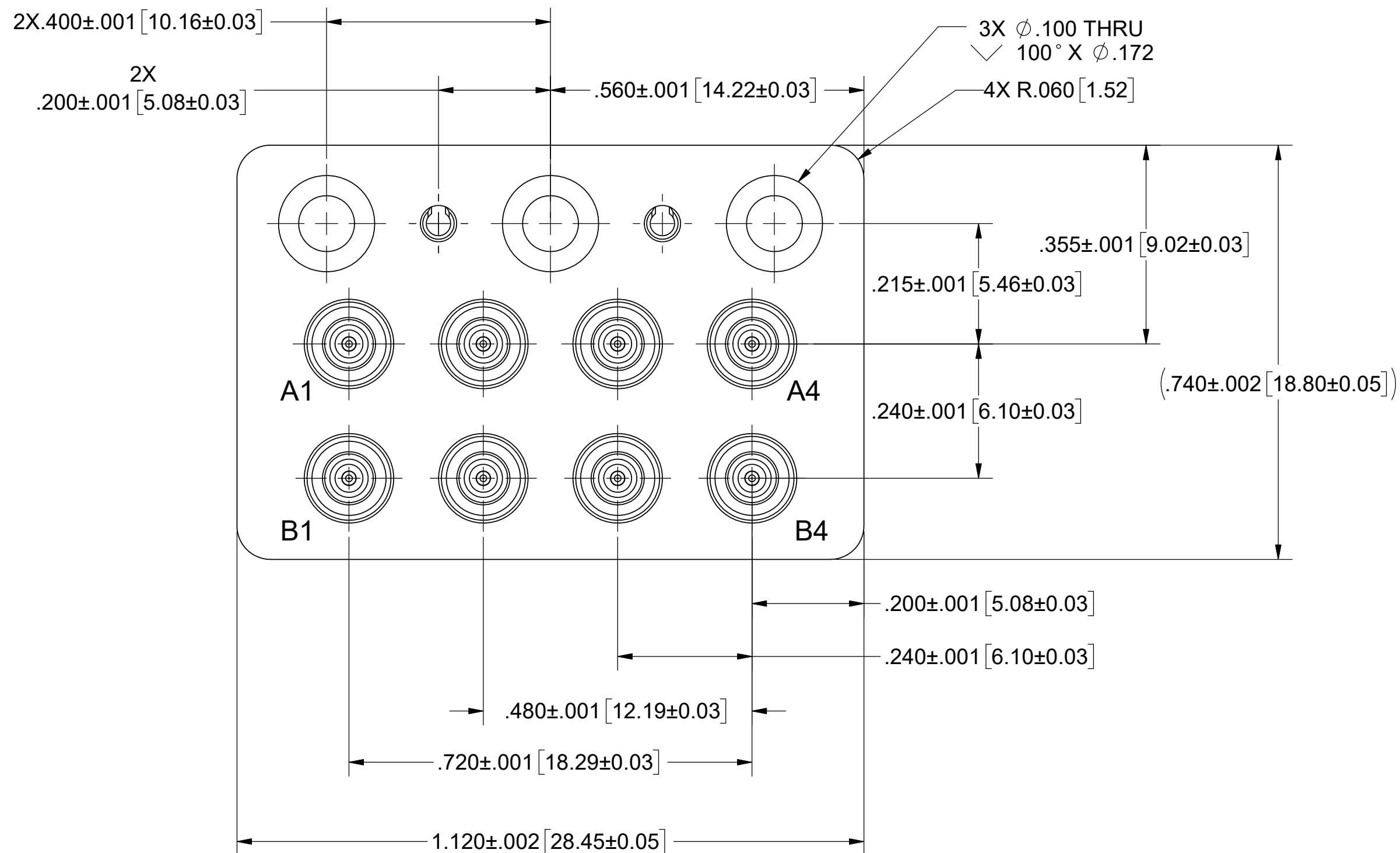
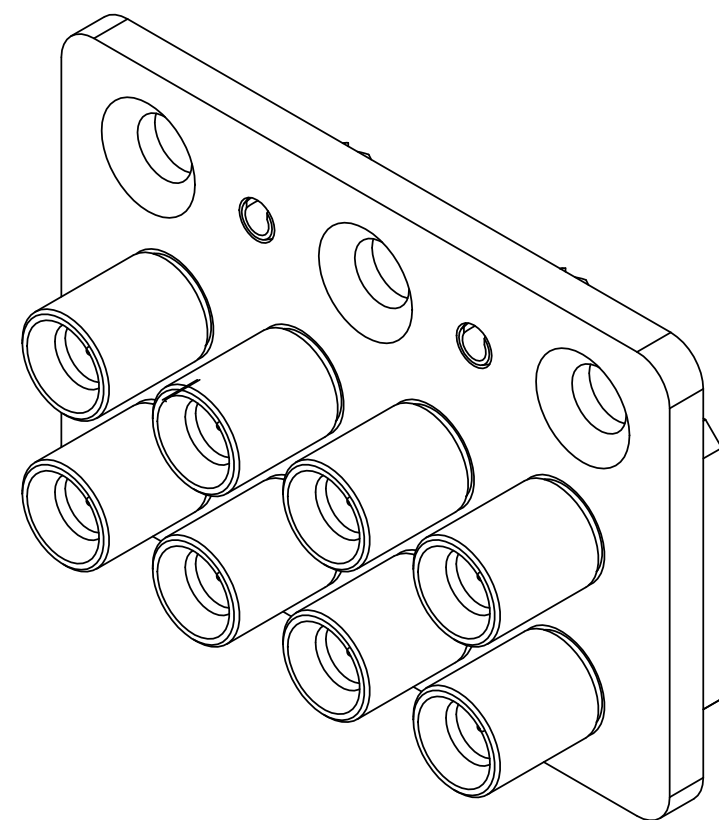
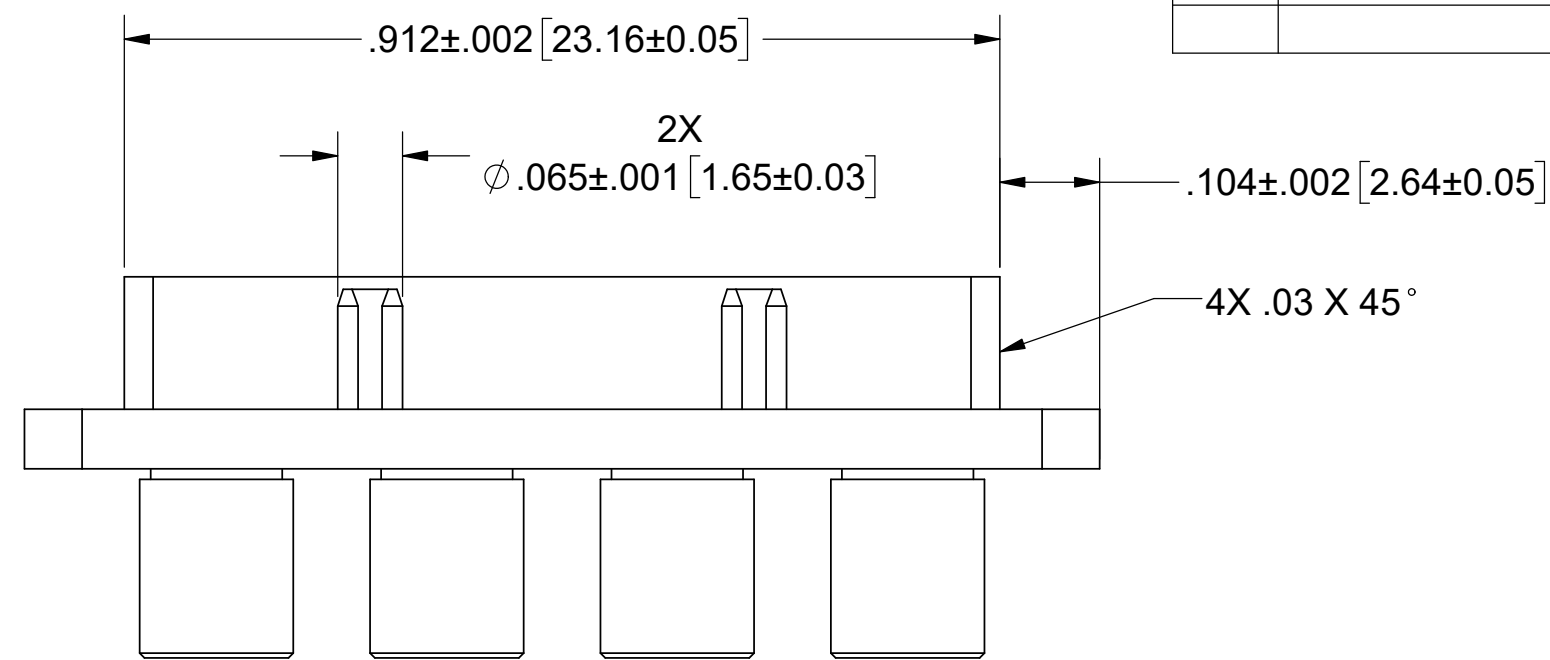
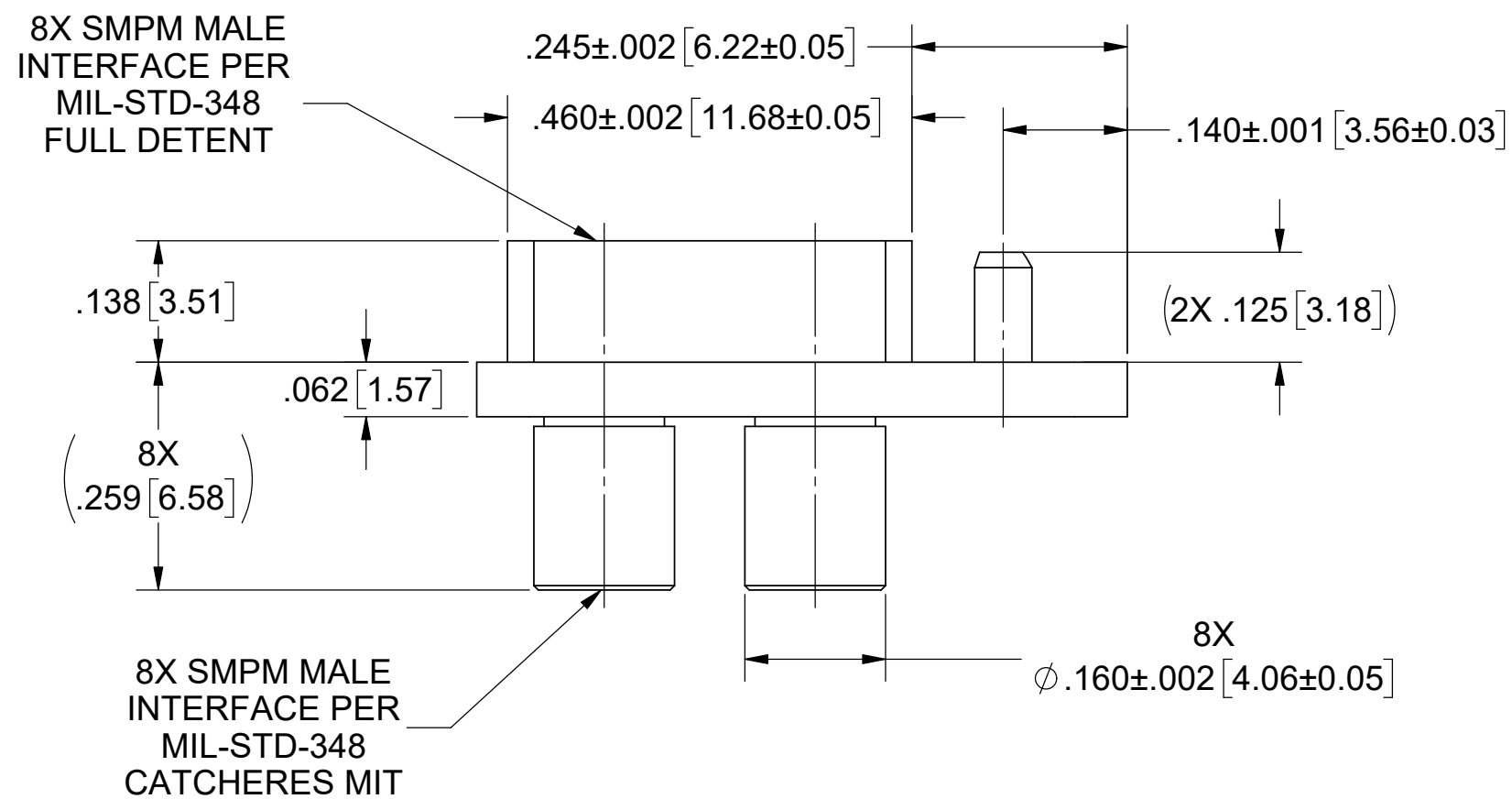


PRODUCT DATA DRAWING

| REVISION HISTORY | | | |
|------------------|-------------|-------|----------|
| REV. | DESCRIPTION | DATE | APPROVED |
| B | DCN 48135 | 11/18 | STW |



MATERIAL:
FLANGE: STAINLESS STEEL PER AMS-5640, ALLOY UNS S30300, TYPE 1.
SPRING PINS: STAINLESS STEEL PER ASTM A313, ALLOY UNS S30200, TYPE 302.
CONTACTS & SMPM BODIES: BERYLLIUM COPPER PER ASTM B196, ALLOY No. UNS C-17300, TD04.
INSULATORS: PTFE PER ASTM D1710, TYPE I, GRADE 1, CLASS B.
FINISH:
FLANGE: PASSIVATED PER AMS-2700.
CONTACTS & SMPM BODIES: GOLD PER ASTM B488, TYPE II, CODE C, CLASS 1.27, OVER NICKEL PER AMS-QQ-N-290, CLASS 1, .00005" MIN.
PERFORMANCE:
IMPEDANCE: 50 OHMS
FREQ. RANGE: DC TO 26.5 GHz
VSWR: 1.50:1, MATED PAIR, DC TO 26.5 GHz
INSERTION LOSS: .12 X SQRT(F IN GHz)
DWV: 1000 VRMS
OPERATING TEMP.: -55°C TO +125°C

MATERIAL: SEE NOTES
FINISH: SEE NOTES
DO NOT SCALE DRAWING
PROPRIETARY
 THE INFORMATION CONTAINED IN THIS DRAWING IS THE SOLE PROPERTY OF SV MICROWAVE, INC. ANY REPRODUCTION IN PART OR AS A WHOLE WITHOUT THE WRITTEN PERMISSION OF SV MICROWAVE, INC. IS PROHIBITED.

DIMENSIONS ARE IN INCHES
 TOLERANCES:
 ANGULAR: ±1°
 ONE PLACE DECIMAL ±.030
 TWO PLACE DECIMAL ±.010
 THREE PLACE DECIMAL ±.005
 INTERPRET DIMENSIONS AND TOLERANCES PER ASME Y14.5M - 1994
 THIRD ANGLE PROJECTION

UNLESS OTHERWISE SPECIFIED:
 1. ALL DIMENSIONS ARE AFTER PLATING.
 2. BREAK CORNERS & EDGES R.005 MAX.
 3. CHAMFER 1ST AND LAST THREAD.
 4. SURFACE ROUGHNESS 63 PER MIL-STD-10.
 5. DIA'S ON COMMON CENTERS TO BE CONCENTRIC WITHIN .005 T.I.R.
 6. REMOVE ALL BURRS.
DRAWN: JMC 02/09/11
CHECKED: STW 02/10/11
APPROVED: STW 02/10/11
E.M. SIMULATION: N/A

SV Microwave, Inc.
 2400 Centrepark West Drive, Suite 100
 West Palm Beach, FL 33409
TITLE:
**VITA 67.2 BACKPLANE
 8 PORT MODULE**
SIZE: C **CAGE CODE:** 95077 **DWG. NO.:** SF1132-6036
SCALE: 5:1 **SHEET 1 OF 1**