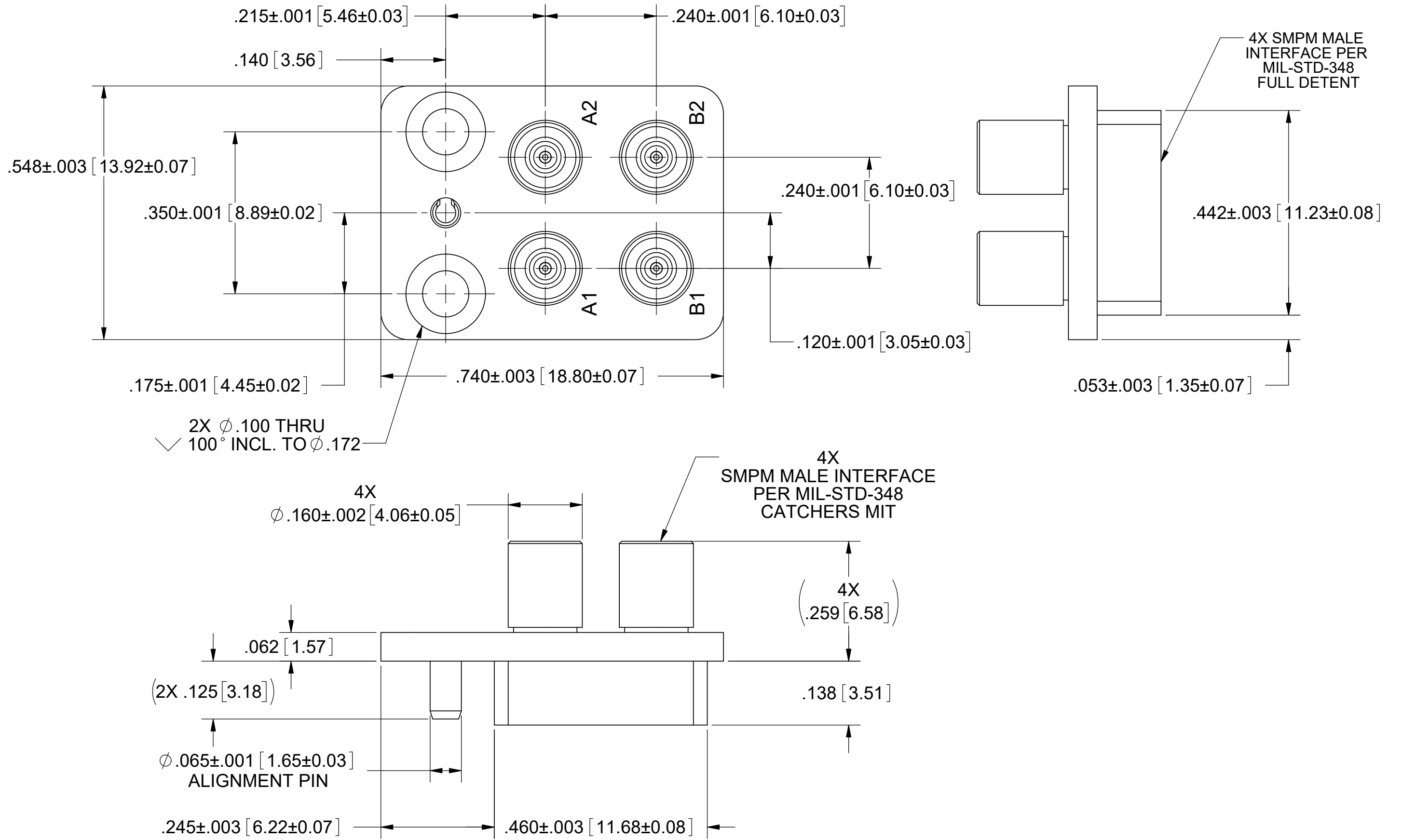
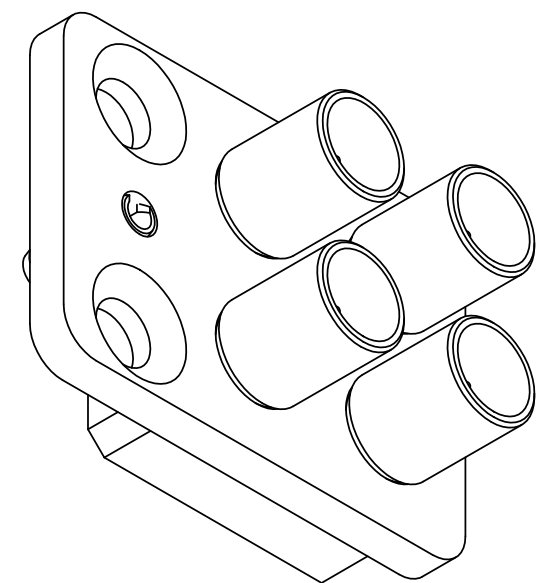


# PRODUCT DATA DRAWING

REVISION HISTORY			
REV.	DESCRIPTION	DATE	APPROVED
B	DCN 42423	06/16	STW
C	DCN 48135	11/18	STW



- MATERIAL:**
- FLANGE:** STAINLESS STEEL PER AMS-5640, ALLOY UNS S30300, TYPE 1.
- SPRING PINS:** STAINLES STEEL PER ASTM A313, ALLOY UNS S30200, TYPE 302.
- CONTACTS & SMPM BODIES:** BERYLLIUM COPPER PER ASTM B196, ALLOY No. UNS C17300, TD04.
- INSULATORS:** PTFE PER ASTM D1710, TYPE I, GRADE 1, CLASS B.
- FINISH:**
- FLANGE & SPRING PINS:** PASSIVATED PER AMS-2700.
- CONTACTS & SMPM BODIES:** GOLD PER ASTM B488, TYPE II, CODE C, CLASS 1.27, OVER NICKEL PER AMS-QQ-N-290, CLASS 1, .00005" MIN.
- PERFORMANCE:**
- IMPEDANCE:** 50 OHMS
- FREQ. RANGE:** DC TO 18.0 GHZ
- VSWR:** 1.30:1 DC TO 18.0 GHZ
- INSERTION LOSS:** .03 X SQRT(F IN GHZ))
- DWV:** 1000 VRMS
- OPERATING TEMP.:** -55°C TO +125°C
- ENGAGEMENT:** 2.5 LBS MIN CATCHERS MIT  
4.5 LBS MIN FULL DETENT
- DISENGAGEMENT:** 1.5 LBS MAX. CATCHERS MIT  
6.5 LBS MAX. FULL DETENT



MATERIAL:	SEE NOTES
FINISH:	SEE NOTES
DO NOT SCALE DRAWING	
<b>PROPRIETARY</b>	
<small>THE INFORMATION CONTAINED IN THIS DRAWING IS THE SOLE PROPERTY OF SV MICROWAVE, INC. ANY REPRODUCTION IN PART OR AS A WHOLE WITHOUT THE WRITTEN PERMISSION OF SV MICROWAVE, INC. IS PROHIBITED.</small>	

<small>DIMENSIONS ARE IN INCHES TOLERANCES: ANGULAR: <math>\pm 1^\circ</math> ONE PLACE DECIMAL <math>\pm .030</math> TWO PLACE DECIMAL <math>\pm .010</math> THREE PLACE DECIMAL <math>\pm .005</math></small>	
<small>INTERPRET DIMENSIONS AND TOLERANCES PER ASME Y14.5M - 1994</small>	
THIRD ANGLE PROJECTION	

<small>UNLESS OTHERWISE SPECIFIED: 1. ALL DIMENSIONS ARE AFTER PLATING. 2. BREAK CORNERS &amp; EDGES R.005 MAX. 3. CHAMFER 1ST AND LAST THREAD. 4. SURFACE ROUGHNESS 63 PER MIL-STD-10. 5. DIA'S ON COMMON CENTERS TO BE CONCENTRIC WITHIN .005 T.I.R. 6. REMOVE ALL BURRS.</small>	
DRAWN:	JMC 01/05/11
CHECKED:	STW 01/06/11
APPROVED:	STW 01/06/11
E.M. SIMULATION:	N/A

<b>SV Microwave, Inc.<sup>®</sup></b> 2400 Centrepark West Drive, Suite 100 West Palm Beach, FL 33409			
TITLE: <b>VITA 67.1 BACKPLANE 4 PORT MODULE</b>			
SIZE	CAGE CODE	DWG. NO.	
C	95077	SF1132-6037	
SCALE: 5:1		SHEET 1 OF 1	