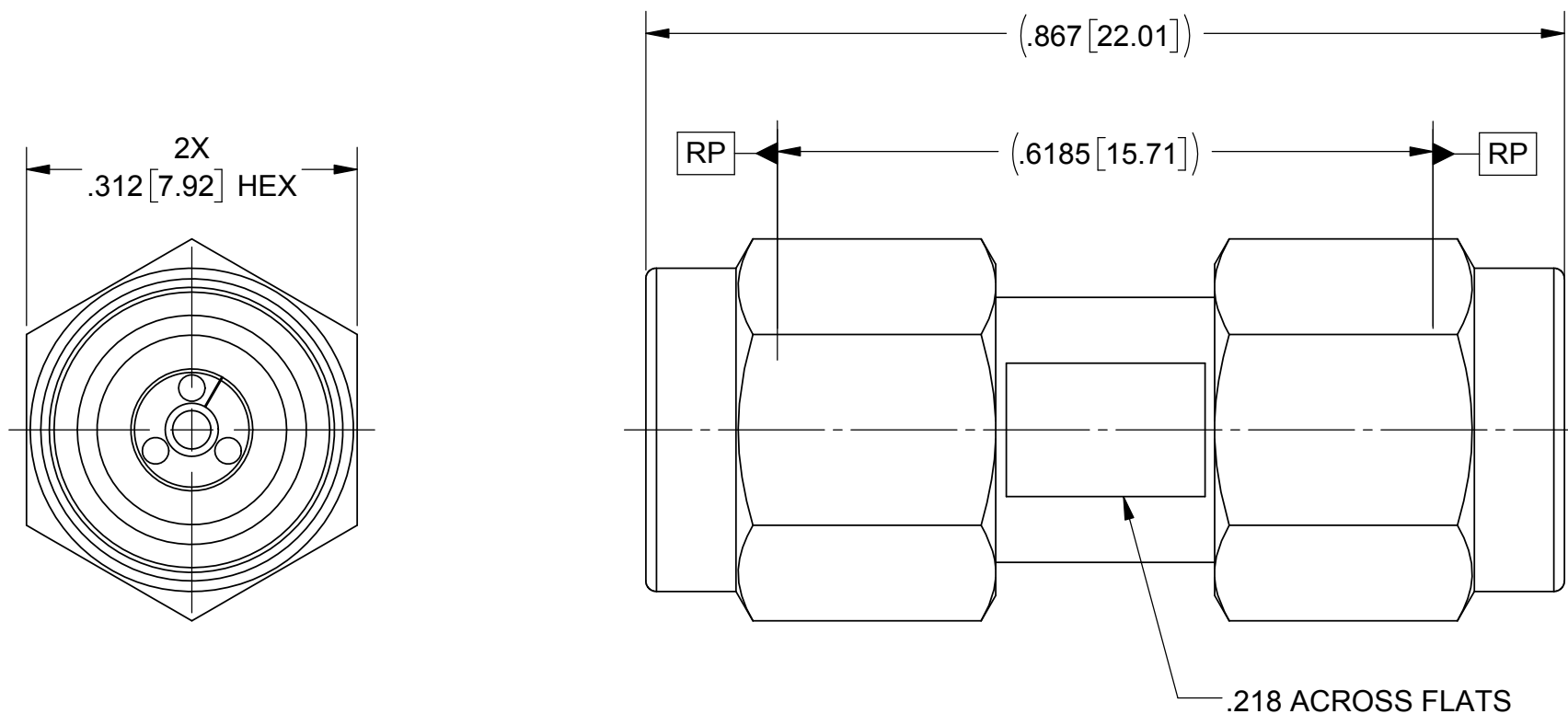


PRODUCT DATA DRAWING CUI BASIC

REVISION HISTORY			
REV	DESCRIPTION	DATE	APPROVED
A	DCN 41727	10/15	DAL
B	REV. DCN 47866	08/24/08	STW



MATERIAL:

BODY, SLEEVE, & COUPLING NUTS:

STAINLESS STEEL PER AMS-5640, ALLOY UNS S30300, TYPE 1 OR ASTM A582, TYPE 303, CONDITION A.

LOCK RINGS:

BERYLLIUM COPPER PER ASTM B194, B196 OR B197, ALLOY No. UNS C17200 OR C17300.

CONTACT:

BERYLLIUM COPPER PER ASTM B196, ALLOY No. UNS C17300, TD04.

BEADS:

PEI (ULTEM 1000) PER ASTM D5205.

GASKETS:

SILICONE RUBBER PER A-A-59588, CLASS 2B, GRADE 60/70

FINISH:

PASSIVATED PER AMS 2700.

BODY, SLEEVES & COUPLING NUTS:

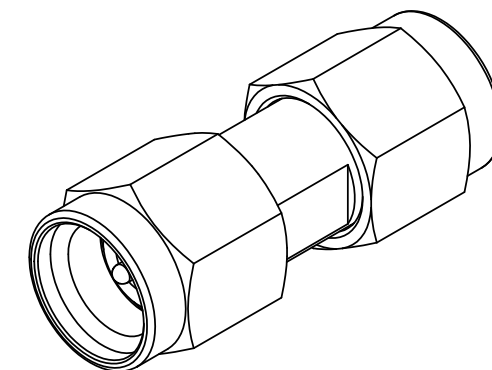
CONTACTS:

GOLD PER ASTM B 488, TYPE I, CODE C, CLASS .50 OVER NICKEL PER AMS-QQ-N-290, CLASS 1, .00005" MIN.

PERFORMANCE:

IMPEDANCE:
FREQ. RANGE:

50 OHMS
DC TO 40.0 GHz



MATERIAL: SEE NOTES	DIMENSIONS ARE IN INCHES TOLERANCES: FRACTIONAL: ±1/64 ANGULAR: X° ±1'0" X'X' ±15'	UNLESS OTHERWISE SPECIFIED 1) ALL DIMENSIONS ARE IN INCHES (MILLIMETERS) 2) ALL DIMENSIONS ARE AFTER PLATING. 3) BREAK CORNERS & EDGES .005 R. MAX. 4) CHAM. 1ST & LAST THREADS. 5) SURFACE ROUGHNESS 63-MIL-STD-10. 6) DIA.'S ON COMMON CENTERS TO BE CONCENTRIC WITHIN .005 T.I.R. 7) REMOVE ALL BURRS	 Amphenol 2400 Centrepark West Drive, Suite 100 West Palm Beach, FL 33409 TITLE: ADAPTER DC-40 GHz SVK PLUG TO SVK PLUG
FINISH: SEE NOTES	DECIMAL: X ±.030 .XX ±.010 .XXX ±.005		
SURFACE AREA: N/A	INTERPRET DIMENSIONS AND TOLERANCES PER ASME Y14.5M - 1994	DRAWN: BRT 09/14/02 CHECKED: DWC 09/14/02 APPROVED: DWC 09/14/02	SIZE: B CAGE CODE: 95077 DWG. NO.: SF1593-6000 SCALE: 6:1 SHEET 1 OF 1
PROPRIETARY THE INFORMATION CONTAINED IN THIS DRAWING IS THE SOLE PROPERTY OF SV MICROWAVE, INC. ANY REPRODUCTION IN PART OR AS A WHOLE WITHOUT THE WRITTEN PERMISSION OF SV MICROWAVE, INC IS PROHIBITED.	THIRD ANGLE PROJECTION 		