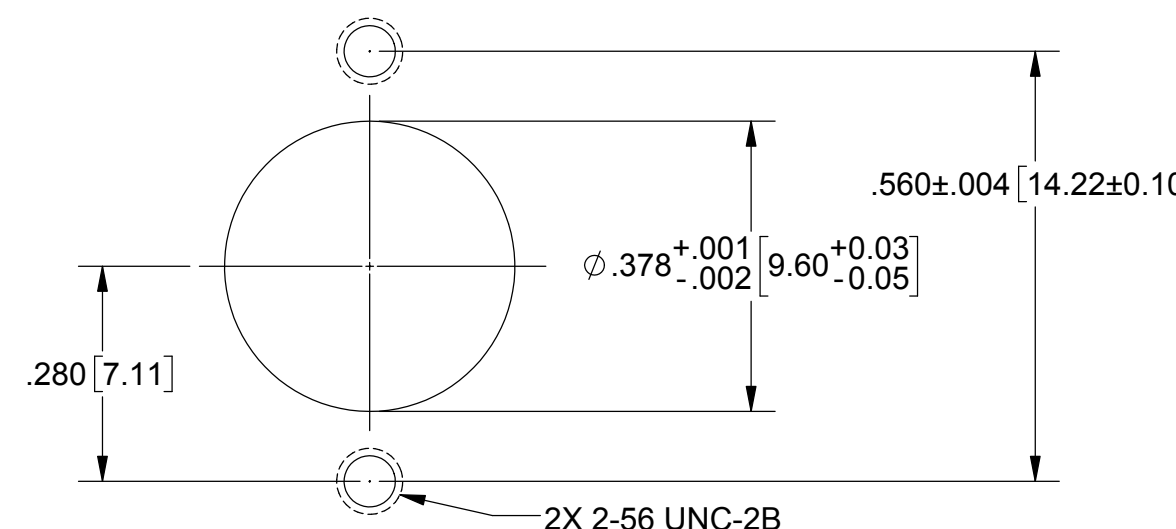
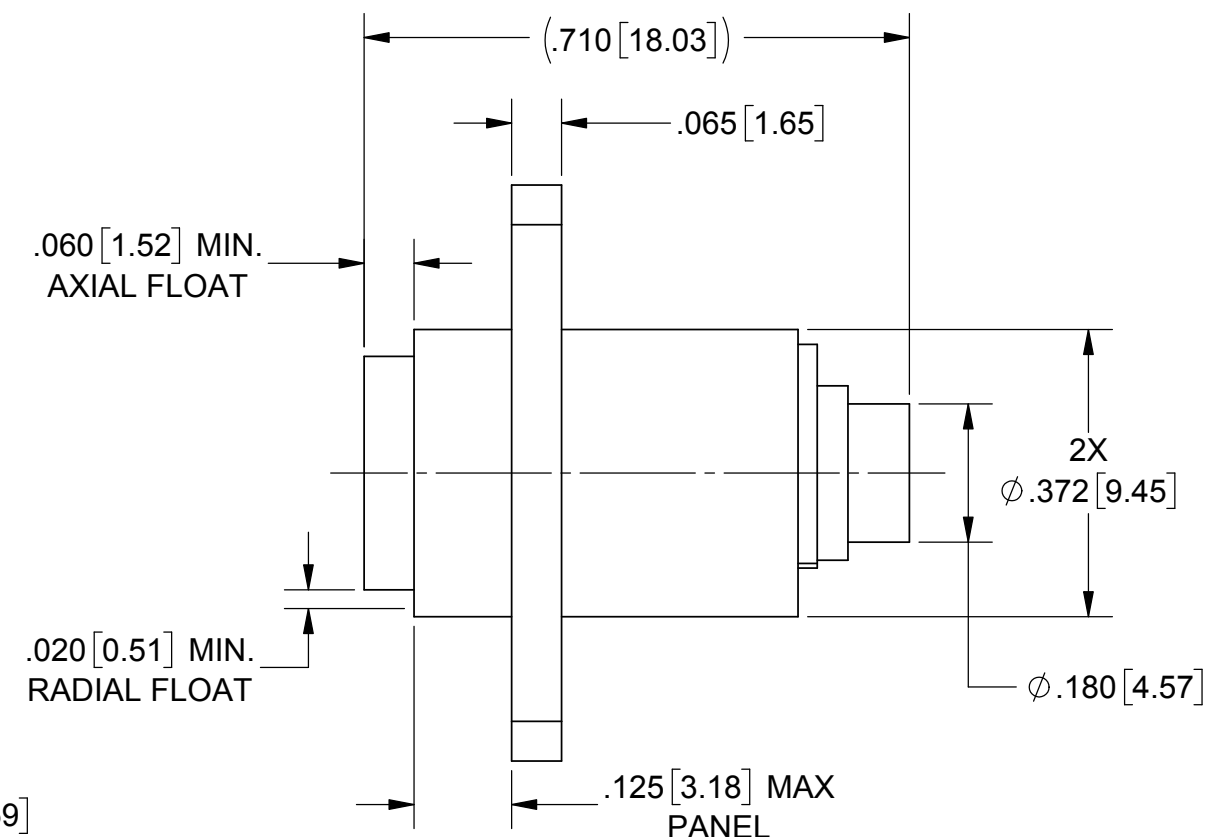
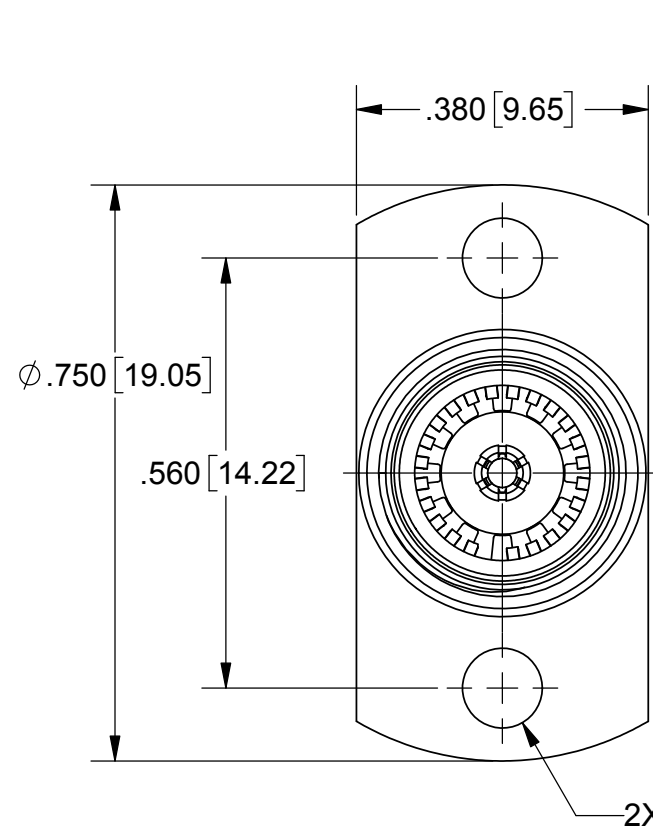
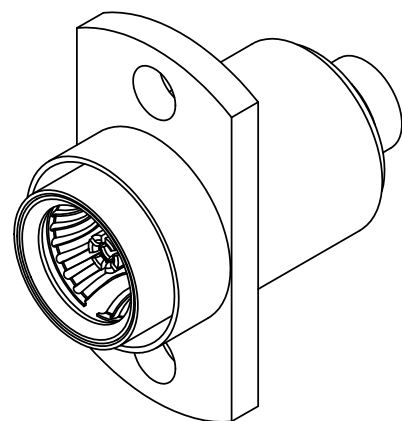


# PRODUCT DATA DRAWING

REVISION HISTORY			
REV	DESCRIPTION	DATE	APPROVED
B	DCN 41831	10/15	STW
C	REV. DCN 47879	08/28/18	STW



**MATERIAL:**

- INSERT, OUTER BODY & INNER BODY: STAINLESS STEEL PER AMS-5640, ALLOY UNS S30300, TYPE 1 OR ASTM A582, TYPE 303, CONDITION A.
- LOCK RING: STAINLESS STEEL PER TYPE PH15-7 OR 17-7.
- COMPR. SPRING: STAINLESS STEEL PER ASTM A313, TYPE 302, ALLOY No. UNS S30200.
- CONTACTS, SLEEVE & SHIM SPRING: BERYLLIUM COPPER PER ASTM B196, ALLOY No. UNS C17300, TD04.
- INSULATOR: PTFE PER ASTM D1710, TYPE I, GRADE 1, CLASS B.

**FINISH:**

- INSERT, LOCK RING, OUTER BODY & COMPR SPRING: PASSIVATED PER AMS 2700

**SLEEVE, CONTACTS, INNER BODY & SHIM SPRING:**

GOLD PER ASTM B488, TYPE II, CODE C, CLASS .076 OVER NICKEL PER AMS-QQ-N-290, CLASS 1, .00005" MIN.

**PERFORMANCE:**

- IMPEDANCE: 50 OHMS
- FREQ. RANGE: DC TO 22.0 GHz

**RECOMMENDED MOUNTING HOLE**

MATERIAL: SEE NOTES	DIMENSIONS ARE IN INCHES TOLERANCES: FRACTIONAL: ±1/64 ANGULAR: X° ±1°0' X"X' ±15'	UNLESS OTHERWISE SPECIFIED 1) ALL DIMENSIONS ARE IN INCHES (MILLIMETERS) 2) ALL DIMENSIONS ARE AFTER PLATING. 3) BREAK CORNERS & EDGES .005 R. MAX. 4) CHAM. 1ST & LAST THREADS. 5) SURFACE ROUGHNESS 63-MIL-STD-10. 6) DIA.'S ON COMMON CENTERS TO BE CONCENTRIC WITHIN .005 T.I.R. 7) REMOVE ALL BURRS	 2400 Centrepark West Drive, Suite 100 West Palm Beach, FL 33409 TITLE: <b>BMA JACK FLANGE MOUNT FOR <math>\phi</math>.141 S.R. CABLE</b>
FINISH: SEE NOTES	DECIMAL: X ±.030 .XX ±.010 .XXX ±.005	INTERPRET DIMENSIONS AND TOLERANCES PER ASME Y14.5M - 1994	
SURFACE AREA: N/A	THIRD ANGLE PROJECTION	DRAWN: VMJ 01/06/00	SIZE: B
PROPRIETARY THE INFORMATION CONTAINED IN THIS DRAWING IS THE SOLE PROPERTY OF SV MICROWAVE, INC. ANY REPRODUCTION IN PART OR AS A WHOLE WITHOUT THE WRITTEN PERMISSION OF SV MICROWAVE, INC IS PROHIBITED.		CHECKED: STW 01/06/00	DWG. NO. SF1732-6004
		APPROVED: STW 01/06/00	SCALE: 4:1