

**GLASS PASSIVATED SUPER FAST RECTIFIER**

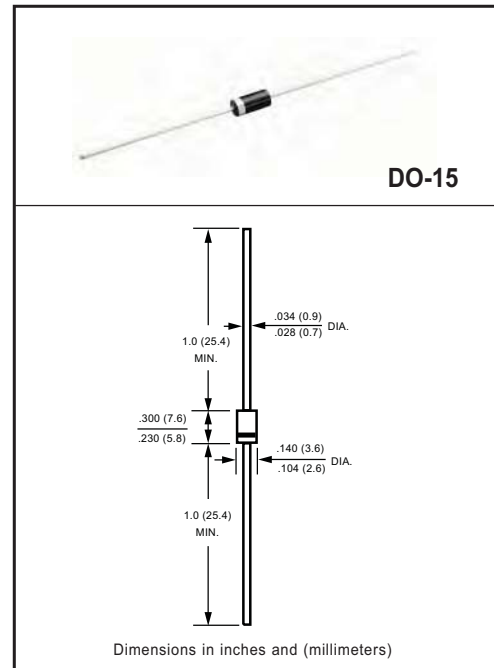
**VOLTAGE RANGE 50 to 600 Volts CURRENT 2.0 Amperes**

**FEATURES**

- \* High reliability
- \* Low leakage
- \* Low forward voltage
- \* High current capability
- \* Super fast switching speed
- \* High surge capability
- \* Good for switching mode circuit

**MECHANICAL DATA**

- \* Case: Molded plastic
- \* Epoxy: Device has UL flammability classification 94V-O
- \* Lead: MIL-STD-202E method 208C guaranteed
- \* Mounting position: Any
- \* Weight: 0.35 g ram



**MAXIMUM RATINGS AND ELECTRICAL CHARACTERISTICS**

Ratings at 25 °C ambient temperature unless otherwise specified.  
resistive or inductive load.

**MAXIMUM RATINGS (@ TA=25 °C unless otherwise noted)**

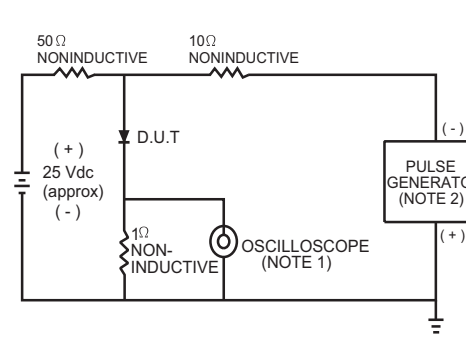
RATINGS	SYMBOL	SF21	SF22	SF23	SF24	SF25	SF26	SF27	UNITS
Maximum Recurrent Peak Reverse Voltage	VRRM	50	100	150	200	300	400	600	Volts
Maximum RMS Voltage	VRMS	35	70	105	140	210	280	420	Volts
Maximum DC Blocking Voltage	VDC	50	100	150	200	300	400	600	Volts
Maximum Average Forward Rectified Current at TA = 55°C	IO	2.0							Amps
Peak Forward Surge Current 8.3 ms single half sine-wave superimposed on rated load (JEDEC method)	IFSM	75							Amps
Current Squared Time	I²t	23.3							A²/Sec
Typical Thermal Resistance (Note 3)	RθJA	40							° CW
	RθJL	15							
Typical Junction Capacitance (Note 2)	CJ	50				30			pF
Operating and Storage Temperature Range	TJ, TSTG	-55 to + 150							°C

**ELECTRICAL CHARACTERISTICS (@TA=25 °C unless otherwise noted)**

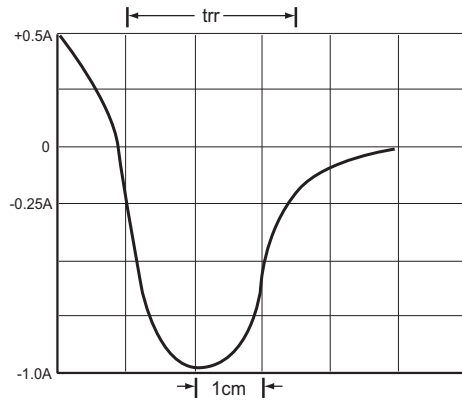
CHARACTERISTICS	SYMBOL	SF21	SF22	SF23	SF24	SF25	SF26	SF27	UNITS
Maximum Instantaneous Forward Voltage at 2.0A DC	VF	0.95				1.25		1.50	Volts
Maximum DC Reverse Current at Rated DC Blocking Voltage	@TA = 25°C	5.0							uAmps
	@TA = 100°C	100							
Maximum Reverse Recovery Time (Note 1)	ttr	35						50	nSec

- NOTES : 1. Test Conditions: IF = 0.5A, IR = -1.0A, IRR = -0.25A  
 2. Measured at 1 MHz and applied reverse voltage of 4.0 volts.  
 3. Typical Thermal Resistance : At 9.5mm lead lengths, PCB mounted.  
 4. "Fully ROHS compliant", "100% Sn plating (Pb-free)"

# RATING AND CHARACTERISTICS CURVES (SF21 THRU SF27 )

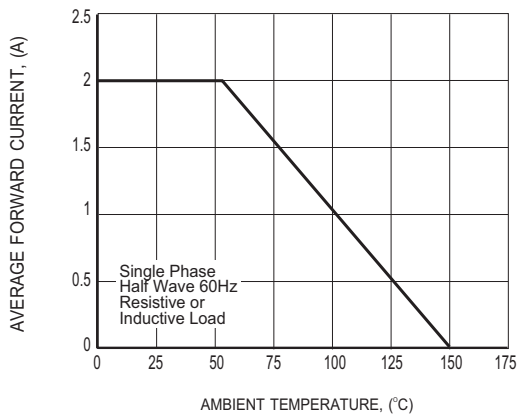


- NOTES: 1 Rise Time = 7ns max. Input Impedance = 1 megohm. 22pF.  
 2. Rise Time = 10ns max. Source Impedance = 50 ohms.

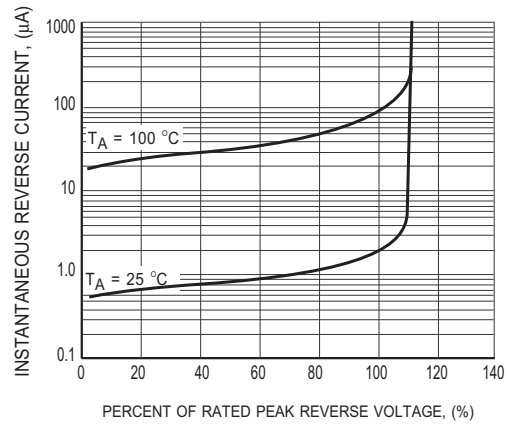


SET TIME BASE FOR 10/1 ns/cm

**FIG.1 TEST CIRCUIT DIAGRAM AND REVERSE RECOVERY TIME CHARACTERISTIC**

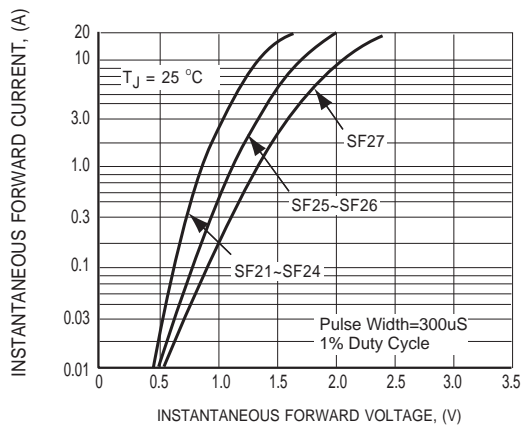


**FIG.2 TYPICAL FORWARD CURRENT DERATING CURVE**

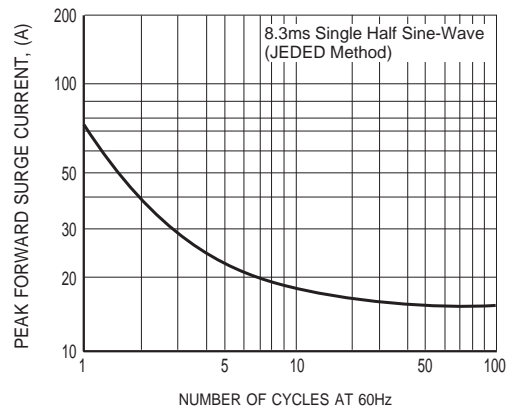


**FIG.3 TYPICAL REVERSE CHARACTERISTICS**

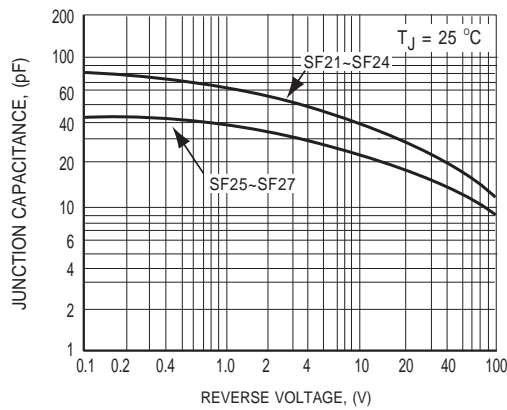
## RATING AND CHARACTERISTICS CURVES ( SF21 THRU SF27 )



**FIG.4 TYPICAL INSTANTANEOUS FORWARD CHARACTERISTICS**



**FIG.5 MAXIMUM NON-REPETITIVE FORWARD SURGE CURRENT**



**FIG.6 TYPICAL JUNCTION CAPACITANCE**

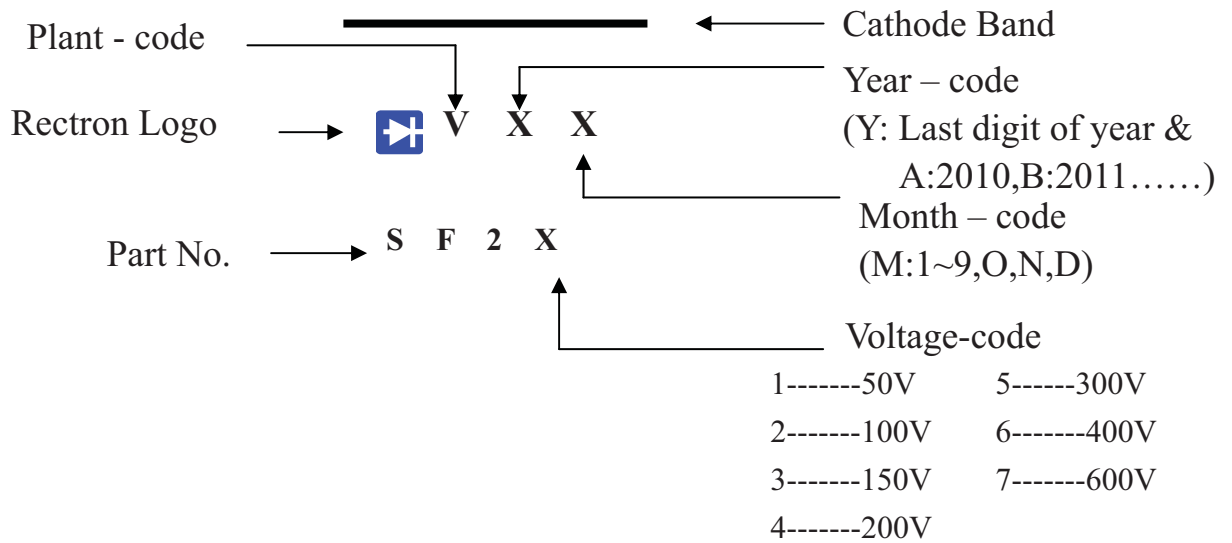


## Attachment information about SF2X

### 1. Internal Circuit



### 2. Marking on the body





## **Attachment information about SF2X**

### **4. Items marked on the reel box and carton**

#### **4.1 On the reel (for -T)**

**CUSTOMER**

**TYPE**

**QUANTITY**

**LOT NO.**

**Q.A.**

**REMARK**

#### **4.2 On the box (for -E & -F)**

**TYPE**

**QUANTITY**

**LOT NO.**

**Q.A.**

#### **4.3 On the carton**

**CUSTOMER**

**TYPE**

**QUANTITY**

**LOT NO.**

**REMARK**

## PACKAGING OF DIODE AND BRIDGE RECTIFIERS

### BULK PACK

PACKAGE	PACKING CODE	EA PER BOX	INNER BOX SIZE (mm)	CARTON SIZE (mm)	EA PER CARTON	GROSS WEIGHT(Kg)
DO-15	-B	500	194*84*21	415*220*255	25,000	12.74

### REEL PACK

PACKAGE	PACKING CODE	EA PER REEL	EA PER INNER BOX	COMPONENT SPACE (mm)	TAPE SPACE (mm)	REEL DIA (mm)	CARTON SIZE (mm)	EA PER CARTON	GROSS WEIGHT(Kg)
DO-15	-T	4,000	4,000	5.0	52	330	355*350*335	16,000	10.05

### AMMO PACK

PACKAGE	PACKING CODE	REEL ( EA )	COMPONENT SPACE(mm)	TAPE SPACE (mm)	BOX SIZE (mm)	CARTON SIZE(mm)	CARTON ( EA )	GROSS WEIGHT (Kg)
DO-15	-F	1,500	5.0	52	255*73*100	400*268*225	15,000	8.8