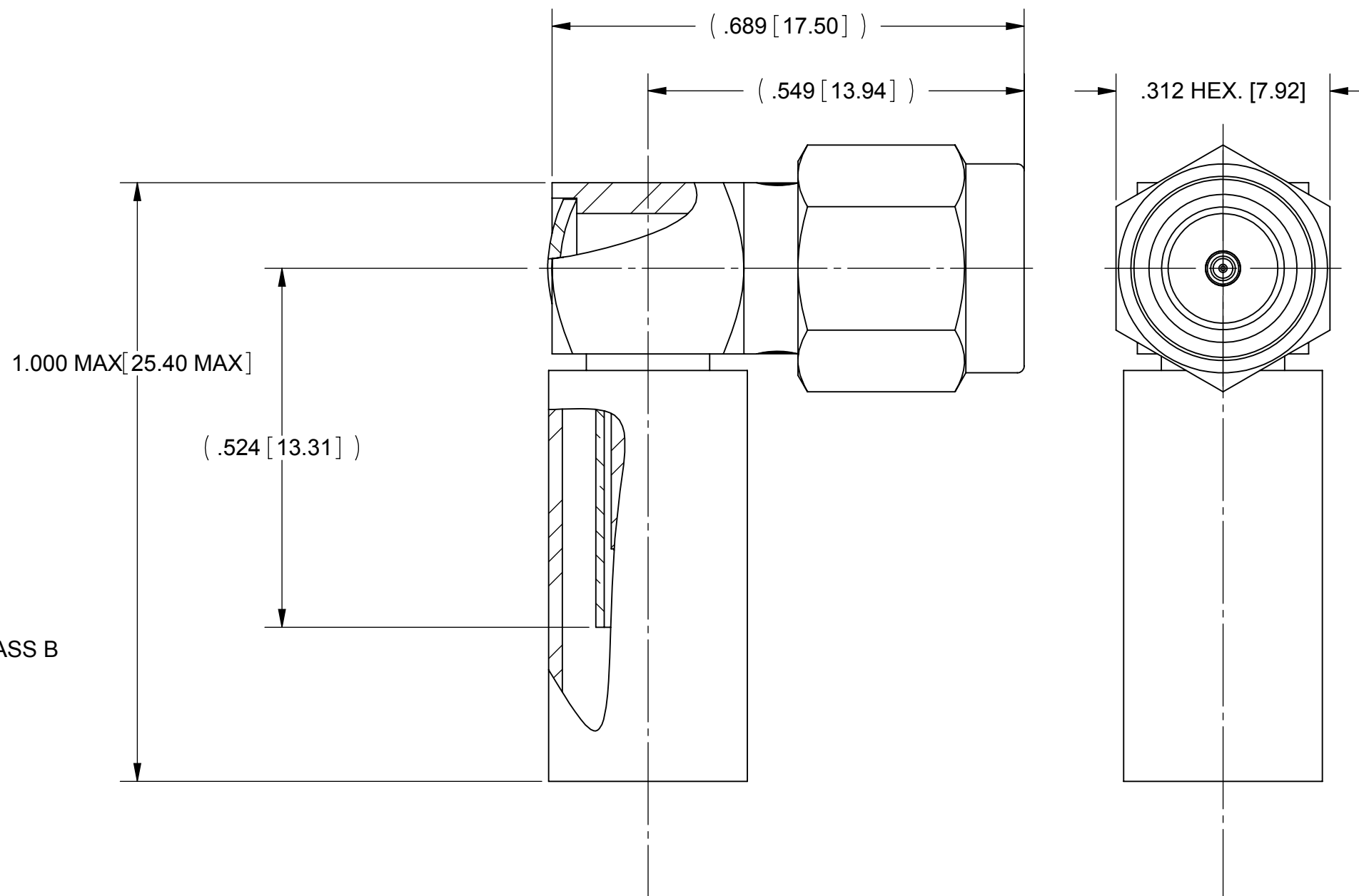


REVISION HISTORY			
REV	DESCRIPTION	DATE	APPROVED
C	UPDATE	12/12	PJS

PRODUCT DATA DRAWING



MATERIAL:

BODY, CAP,
FERRULE &
COUPLING NUT:

STAINLESS STEEL PER AMS-5640,
ALLOY UNS S30300, TYPE 1

LOCK RING:

BERYLLIUM COPPER PER ASTM B196,
ALLOY No. UNS C17300, TD04

CONTACT &
CRIMP RING:

BRASS PER ASTM B316
ALLOY UNS C36000

INSULATOR:

PTFE PER ASTM D1710, TYPE I, GRADE 1, CLASS B

GASKET:

SILICONE RUBBER PER A-A-59588,
CLASS 2B, GRADE 50/60

SHRINK TUBING:

POLYOLEFIN PER MIL-DTL-23053/4-302-0

FINISH:

BODY, CAP,
FERRULE &
COUPLING NUT:

PASSIVATED PER AMS -2700

CRIMP RING:

NICKEL PER AMS-QQ-N-290, CLASS 1,
GRADE G

CONTACT:

GOLD PER ASTM B488, TYPE II,
CODE C, CLASS .76 ; OVER NICKEL
PER AMS-QQ-N-290, CLASS 1, .00005" MIN.

PERFORMANCE:

IMPEDANCE: 50 OHMS
FREQ. RANGE: DC TO 12.4 GHZ
DWV: 750 VRMS
INSUL. RES.: 5000 MEGOHMS MIN.

MATERIAL: SEE NOTES	DIMENSIONS ARE IN INCHES TOLERANCES: FRACTIONAL: ±1/64 ANGULAR: X° ±1'0" X°X' ±15'	UNLESS OTHERWISE SPECIFIED 1) ALL DIMENSIONS ARE IN INCHES (MILLIMETERS) 2) ALL DIMENSIONS ARE AFTER PLATING. 3) BREAK CORNERS & EDGES .005 R. MAX. 4) CHAM. 1ST & LAST THREADS. 5) SURFACE ROUGHNESS 63-MIL-STD-10. 6) DIA: 'S ON COMMON CENTERS TO BE CONCENTRIC WITHIN .005 T.I.R. 7) REMOVE ALL BURRS	SV Microwave, Inc. 2400 Centrepark West Drive, Suite 100 West Palm Beach, FL 33409 TITLE: SMA PLUG R/A SOLDER ON FOR RG-316 CABLE
FINISH: SEE NOTES	DECIMAL: X ±.030 .XX ±.010 .XXX ±.005	INTERPRET DIMENSIONS AND TOLERANCES PER ASME Y14.5M - 1994	
SURFACE AREA: N/A	THIRD ANGLE PROJECTION	DRAWN: PJS 12/4/12	SIZE: B CAGE CODE: 95077 DWG. NO. SF2913-6001
PROPRIETARY THE INFORMATION CONTAINED IN THIS DRAWING IS THE SOLE PROPERTY OF SV MICROWAVE, INC. ANY REPRODUCTION IN PART OR AS A WHOLE WITHOUT THE WRITTEN PERMISSION OF SV MICROWAVE, INC IS PROHIBITED.		CHECKED:	SCALE: 5:1
		APPROVED:	SHEET 1 OF 1