

PRODUCT DATA DRAWING

CAD
GENERATED
DRAWING

DCN
CONTROLLED
DOCUMENT

DWG. NO.

SF8018-6057

MATERIAL :

BODY &
COUPLING NUT: STAINLESS STEEL PER AMS-5640

LOCK RING
& CONTACT: BERYLLIUM COPPER PER ASTM B196

INSULATOR: PTFE PER ASTM D1710

GASKET: SILICONE RUBBER PER ZZ-R-765,
CLASS IIB, GRADE 50/60

RESISTOR ELEMENT: ALUMINA SUBSTRATE WITH
NICHROME RESISTOR

FINISH :

BODY: GOLD PER ASTM B488, TYPE II,
GRADE C, CLASS .76; OVER NICKEL
PER AMS-QQ-N-290, CLASS 1

COUPLING NUT: PASSIVATED PER AMS-QQ-P-35, TYPE II

CONTACT: GOLD PER ASTM B488, TYPE II,
GRADE C, CLASS 1.52; OVER NICKEL
PER AMS-QQ-N-290, CLASS 1

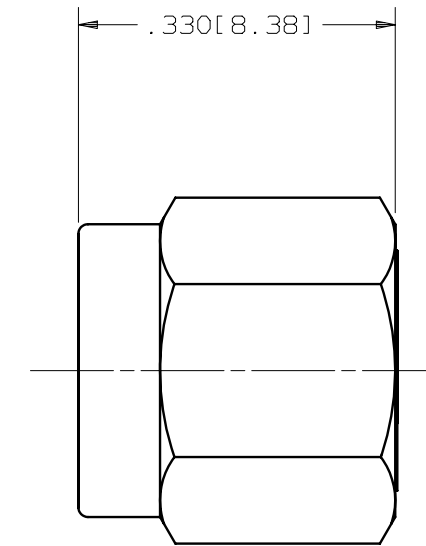
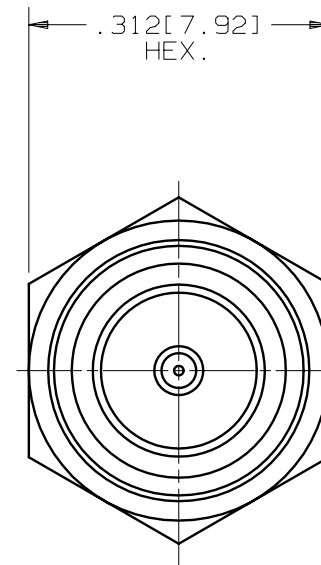
PERFORMANCE :

IMPEDANCE: 50 OHMS

FREQ. RANGE: DC TO 18.0 GHz

VSWR: 1.30:1 DC TO 18.0 GHz

OPERATING TEMP: -55°C TO +125°C



SYM.	DESCRIPTION	DATE	APPR.	UNLESS OTHERWISE SPECIFIED: 1) ALL DIMENSIONS ARE AFTER PLATING. 2) BREAK CORNERS & EDGES .005 R. MAX. 3) CHAM. 1st & LAST THDS. 4) SURFACE ROUGHNESS 63 / MIL-STD-10. 5) DIAS. ON COMMON CENTERS TO BE CONCENTRIC WITHIN .005 T.I.R. 6) REMOVE ALL BURRS.	DIMENSIONS ARE IN INCHES TOLERANCES:			SV Microwave, Inc. 2400 Centrepark West Drive, Suite 100 West Palm Beach, FL 33409
				DECIMALS .X ±.030 .XX ±.015 .XXX ±.005	FRACTIONAL ±1/64	ANGULAR X° ±1°0' X°X' ±15'	TITLE:	
-	REL. DCN 32745	02/05	CCC		MATERIAL: SEE ABOVE	□" AREA:	SMA PLUG TERMINATION DC TO 18 GHz	
				DRAWN: MGT 02/24/05	FINISH: SEE ABOVE	N/A		
				CHECKED: CCC 02/24/05	SIZE	CAGE NO.	SCALE	
				APPROVED: CCC 02/24/05	B	95077	5X	
							DWG. NO. SF8018-6057	