



COAXIAL

Adapter

SFR-SM50+

50Ω DC to 18 GHz SMA-Female to SMA-Male

THE BIG DEAL

- Low Insertion Loss, 0.14 dB typ. up to 18 GHz
- Excellent VSWR, 1.12:1 typ. up to 18 GHz
- Low cost adapters, available from stock
- Tri-metal alloy and gold-plated beryllium copper center connector



Generic photo used for illustration purposes only

Model No.	SFR-SM50+
Case Style	DJ2442-7
Connectors	SMA-Female to SMA-Male

+RoHS Compliant

The +Suffix identifies RoHS Compliance. See our website for methodologies and qualifications

APPLICATIONS

- Interconnection of RF cable and equipment

PRODUCT OVERVIEW

Mini-Circuits' SFR-SM50+ is a right-angle SMA-Female to SMA-Male adapter supporting a wide range of applications from DC to 18 GHz. This model provides excellent VSWR, low insertion loss, and flat response versus frequency. The SFR-SM50+ features Tri-metal alloy body and Gold-plated beryllium copper construction center contact.

KEY FEATURES

Feature	Advantages
Wideband, DC to 18 GHz	Wide frequency range provides application flexibility and makes this model ideal for broadband and multi-band use.
Excellent VSWR <ul style="list-style-type: none"> • 1.12:1 typ. up to 18 GHz 	Provides good matching for 50Ω systems and minimizes signal reflections across wide frequency range.
Low insertion loss <ul style="list-style-type: none"> • 0.14 dB typ. up to 18 GHz 	Provides excellent signal power transmission from input to output.
Tri-metal alloy and Gold-plated beryllium copper construction center contact	Stands up to wear and tear in demanding environments and provides excellent reliability.
Very wide operating temperature range, <ul style="list-style-type: none"> • -55 to +100 °C 	Withstands extreme operating conditions and is suitable for use near high power componentry where heat rise is common.

REV. B
ECO-016626
SFR-SM50+
MCL NY
230126





COAXIAL

Adapter

SFR-SM50+

50Ω DC to 18 GHz SMA-Female to SMA-Male

ELECTRICAL SPECIFICATIONS AT 25°C

Parameter	Condition (GHz)	Min.	Typ.	Max.	Units
Frequency Range		DC		18	GHz
Insertion Loss	DC - 18	–	0.14	–	dB
VSWR	DC - 8	–	1.01	1.25	:1
	8 - 12	–	1.07	1.25	
	12 - 18	–	1.09	1.25	

ABSOLUTE MAXIMUM RATINGS

Parameter	Ratings
Operating Temperature	-55°C to 100°C
Storage Temperature	-55°C to 100°C

Permanent damage may occur if any of these limits are exceeded.



COAXIAL

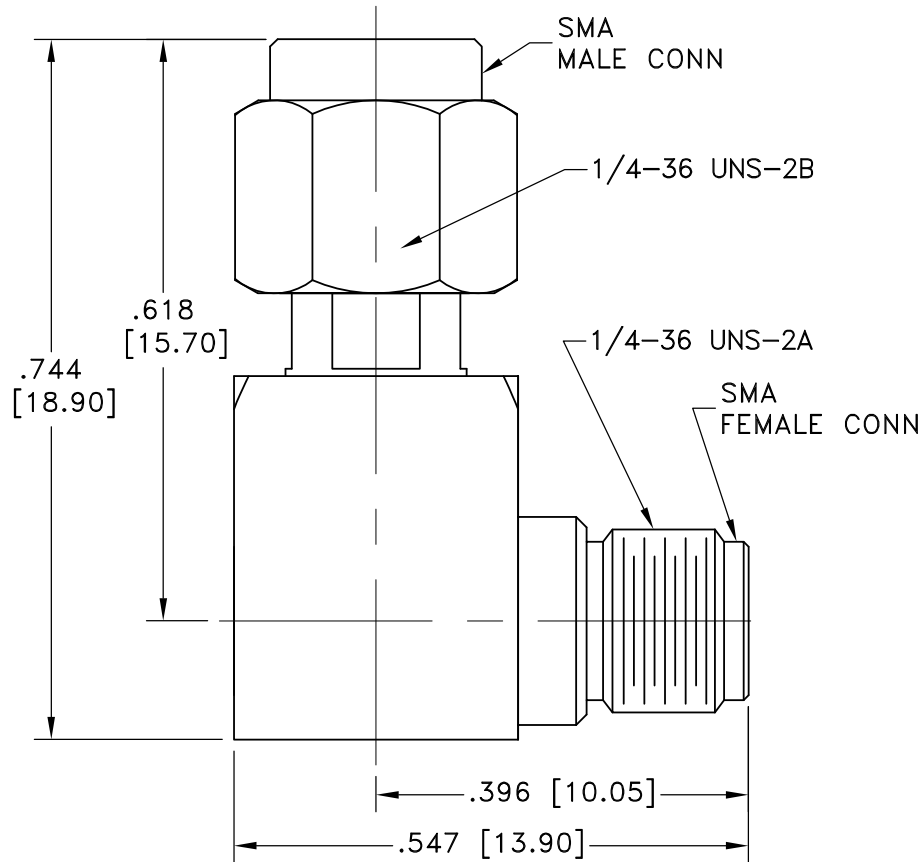
Adapter

SFR-SM50+

Mini-Circuits

50Ω DC to 18 GHz SMA-Female to SMA-Male

OUTLINE DRAWING



Weight: 6.5 grams

Dimensions are in inches (mm). Tolerances: 2 Pl.±.03; 3 Pl. ±.015