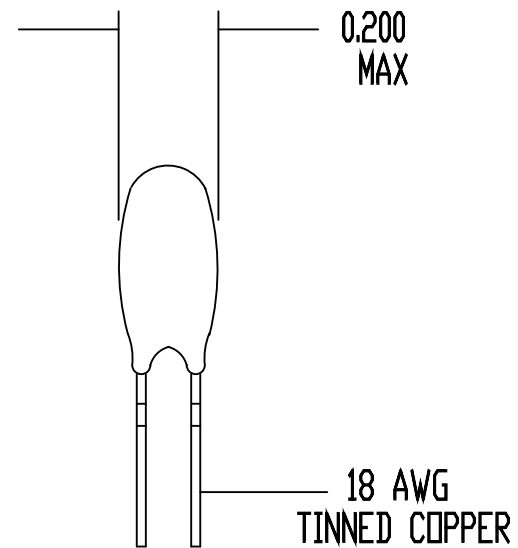
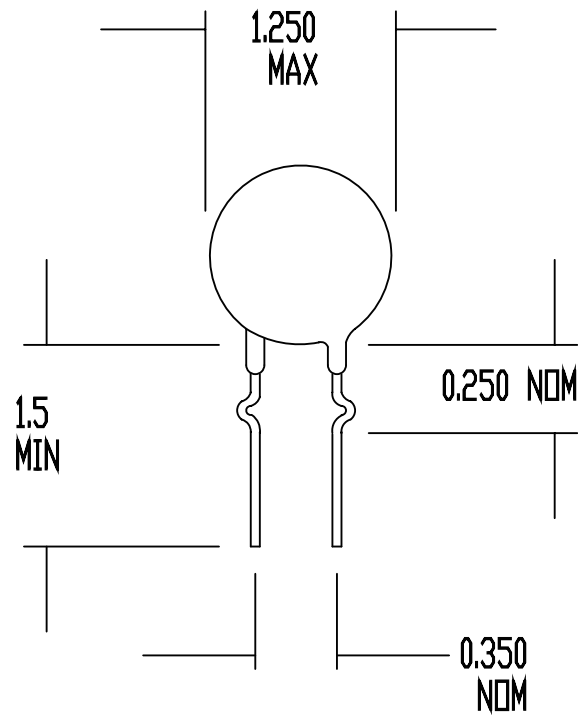



REV	DATE	ECO#

DRAWING NOT TO SCALE  
ALL DIMENSIONS IN INCHES



**SPECIFICATIONS:**

RESISTANCE AT 25 DEG C = 0.5 OHM +/- 20%  
 MAXIMUM CONTINUOUS CURRENT (I<sub>max</sub>) = 30 AMPS  
 RESISTANCE AT I<sub>max</sub> = 0.01 NOMINAL  
 MAXIMUM VOLTAGE RATING = 120 VAC (RMS)  
 MAXIMUM SURGE RATING = 31 JOULES  
 ENCAPSULATION = SILICONE RESIN  
 MARKING = OPTIONAL  
 LEADS = RODAN P/N STL-209-54 (OR STL-209-35)

DRAWN BY D. NGUYEN		 <b>AMETHERM</b> <i>Circuit Protection Thermistors</i>
DATE 11/05/90	ORIG. F. TISED	
REV N/C	APP	SURGE-GARD INRUSH CURRENT LIMITER
SHEET 1 OF 1		SG326