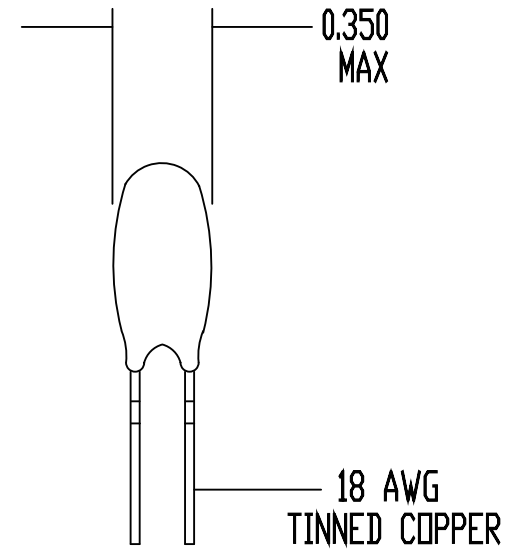
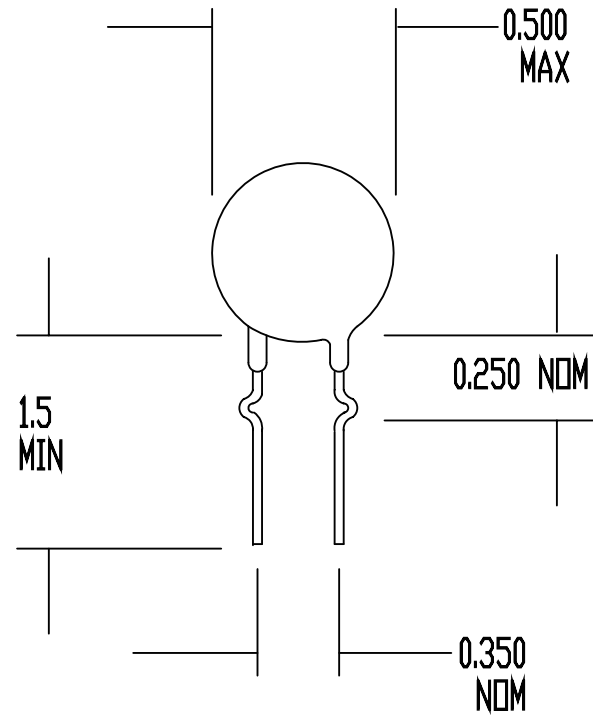


| | | |
|-----|----------|------|
| REV | DATE | ECD# |
| A | 12/14/92 | 1232 |
| | | |

DRAWING NOT TO SCALE
ALL DIMENSIONS IN INCHES



SPECIFICATIONS:

RESISTANCE AT 25 DEG C = 12 OHMS +/- 10%
 MAXIMUM CONTINUOUS CURRENT (I_{max}) = 4 AMPS
 RESISTANCE AT I_{max} = 0.22 OHMS NOMINAL
 MAXIMUM VOLTAGE RATING = 265 VAC (RMS)
 MAXIMUM SURGE RATING = 40 JOULES
 ENCAPSULATION = SILICONE RESIN
 MARKING = OPTIONAL
 LEADS = RODAN P/N STL-209-35

| | | |
|--------------------|----------------|--|
| DRAWN BY D. NGUYEN | | AMETHERM <i>Circuit Protection Thermistors</i> |
| DATE 11/05/90 | ORIG. F. TISED | |
| REV A | APP | SURGE-GARD INRUSH CURRENT LIMITER |
| SHEET 1 OF 1 | | SG339 |