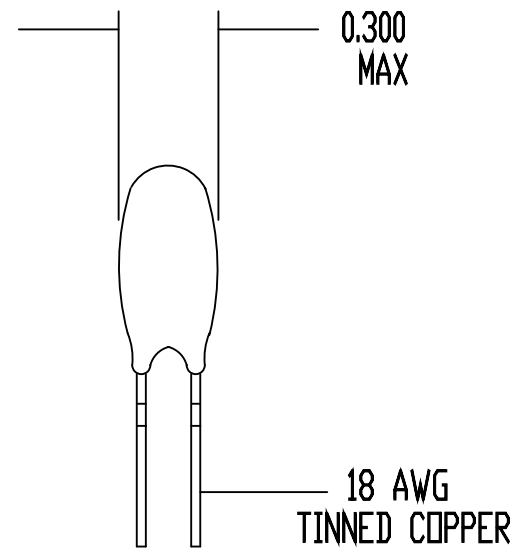
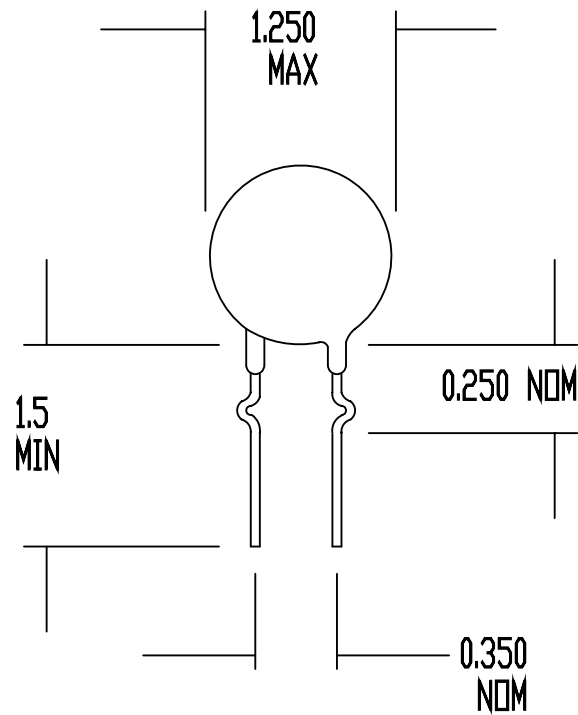



REV	DATE	ECD#

DRAWING NOT TO SCALE  
ALL DIMENSIONS IN INCHES



**SPECIFICATIONS:**

RESISTANCE AT 25 DEG C = 2 OHM +/- 25%  
 MAXIMUM CONTINUOUS CURRENT (I<sub>max</sub>) = 23 AMPS  
 RESISTANCE AT I<sub>max</sub> = 0.025 OHMS NOMINAL  
 MAXIMUM VOLTAGE RATING = 265 VAC (RMS)  
 MAXIMUM SURGE RATING = 250 JOULES  
 ENCAPSULATION = SILICONE RESIN  
 MARKING = OPTIONAL  
 LEADS = RODAN P/N STL-209-54 (OR STL-209-35)

DRAWN BY D. NGUYEN		 <b>Circuit Protection Thermistors</b>
DATE 06/25/93	ORIG. F. TISED	
REV N/C	APP	<b>SURGE-GARD</b> <b>INRUSH CURRENT LIMITER</b>
SHEET 1 OF 1		SG355