



- UL and cUL listed
- 12 VDC with 15, 35 or 60 cd setting
- 24 VDC with 15, 35, 60, 75, 95 or 110 cd settings
- 6 distinct candela settings
- Candela selection view window
- 15/75 ADA compliant on 60cd setting
- 33 sound output settings
- Horn or chime sound output
- Pre-wire back plate
- Universal back plate mounting (single gang, double gang, octagon, or 4" square)
- Single screw mounting
- Indoor only
- Low current draw



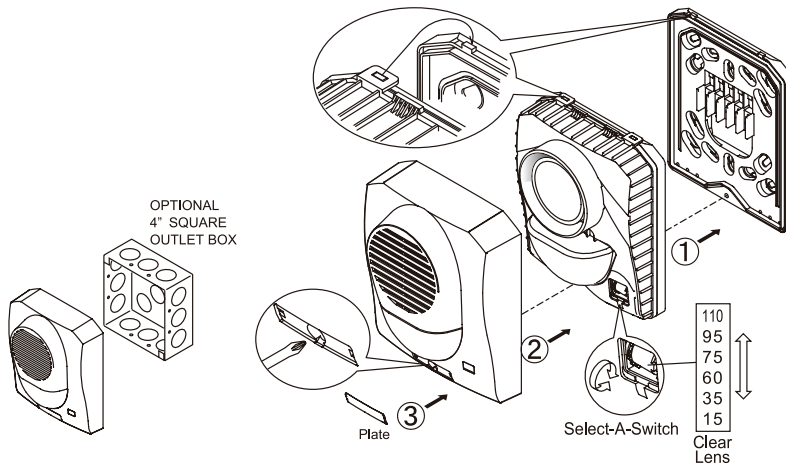
The SH-1224 Strobe/Horn Series provides a wide range of candela light output options in a single device. The candela settings include a 12 or 24 volt DC operation for the 15, 35 and 60 (75 on axis) candela settings and 24 volt DC operation for the 15, 35, 60, 75, 95 and 110 candela settings. The candela setting is displayed through the front window and is selectable using a drum wheel.

The horn settings include Temporal, Non-Temporal, March Time and a Chime sound. The horn also has Low, Mid and High volume settings for each pattern and tone. The tones include 2400 Hz, Electro-Mechanical, Broadband and Chime.

The voltage input can be either regulated DC or full wave rectified (FWR) 12 volt or 24 volt operation with an operating range from 8 to 33 V DC. The strobes can be synchronized using a control panel with the Potter (Amseco) sync protocol or a SMD10-3A sync module.

The SH-1224 utilizes a universal mounting plate that will mount on a single gang, double gang, octagon and 4" square electrical boxes. The back plate allows the installer to mount the plate and connect the wire connections. The strobe attaches in a hinge fashion from the top and is secured by a single mounting screw. The strobe completely covers the mounting back plate, therefore it can be mounted before other trades work is completed and not affect the final look.

Installation



CAUTION

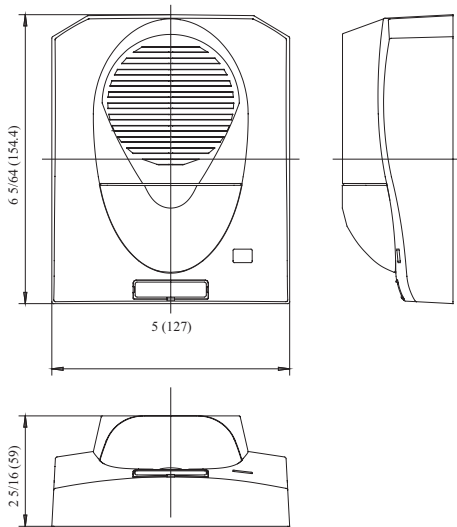
A jumper plug is provided to test for correct wiring in the supervisory mode only. Do not pass alarm current through the jumper.

Note: Installation must comply in accordance with applicable standards.

Ordering Information

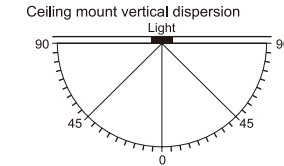
| Stock Number | Model Number | Description | Color |
|--------------|--------------|------------------------------|-------|
| 4560070 | SH-1224R | Selectable strobe/horn/chime | Red |
| 4560071 | SH-1224W | Selectable strobe/horn/chime | White |

Dimensions: inches (mm)

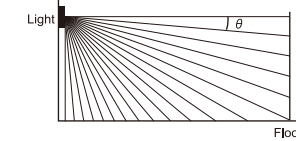


Light output in percentage when measured from the following directions per UL 1971.

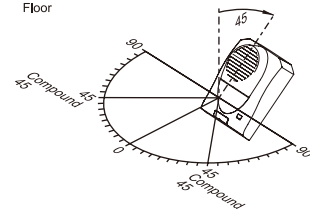
Wall and ceiling mount horizontal dispersion



Wall mount vertical dispersion



| Degrees | % of Rating | |
|---------|-------------|--------|
| | Horizontal | Vertic |
| 0 | 100 | 100 |
| 5-25 | 90 | 90 |
| 30 | 75 | 90 |
| 35 | 75 | 65 |
| 40 | 75 | 46 |
| 45 | 75 | 34 |
| 50 | 55 | 27 |
| 55 | 45 | 22 |
| 60 | 40 | 18 |
| 65 | 35 | 16 |
| 70 | 35 | 15 |
| 75 | 30 | 13 |
| 80 | 30 | 12 |
| 85-90 | 25 | 12 |



WARNING

High voltage may be present inside the light assembly even though power is not connected. If access to the component board is required (removal or replacement), the capacitor must be discharged by touching a wire to both ends of the flashtube.

DO NOT attempt to touch or move the assembly until the capacitor has been discharged.

Specifications

Strobe Current

| Light Output | Max. RMS Operating Current (mA RMS) | | | |
|--------------|-------------------------------------|-------------|-------------|-------------|
| | Reg. 12 VDC | Reg. 12 FWR | Reg. 24 VDC | Reg. 24 FWR |
| 15cd | 116 | 152 | 62 | 99 |
| 35cd | 209 | 267 | 102 | 152 |
| 60/75cd | 254 | 258 | 131 | 190 |
| 75cd | NA | NA | 146 | 208 |
| 95cd | NA | NA | 177 | 243 |
| 110cd | NA | NA | 196 | 268 |

| Voltage | 12/24V | |
|-----------------------------|---|---------------------|
| UL Designation | Regulated 12 DC/FWR | Regulated 24 DC/FWR |
| Operating Voltage Range | 8 - 17.5V | 16 - 33V |
| Flash Rate | 60 times/min. | |
| Sync Module (SMD10-3A) | NA | Available |
| Operating Temperature Range | Indoor model: 32°F to 120°F (0°C to 49°C) | |

Horn Dipswitch

Pattern

- 1 ON - Non-temporal
- 1 OFF - Temporal
- Both 2 = OFF
- 1 and 2 ON = March Time



Tone

- 3 and 4 ON = 2400Hz
- 3 ON and 4 OFF = Electromechanical
- 3 and 4 OFF = Chime
- 3 OFF and 4 ON = Broadband

Volume

- 5 and 6 ON = High
- 5 ON and 6 OFF = Mid
- 5 and 6 OFF = Low
- 7 and 8 ON = Horn/strobe on 2 wires
- 7 and 8 OFF = Horn and strobe on 4 wires

Note: To determine total current draw, add desired strobe setting and horn selection. Refer to the installation instructions for further information.

Non-Temporal Horn Current

| Pattern | Volume | Max. RMS Current (mA RMS Current) | | dBA Reverberant Ratings per UL464 (dBA @ 10 ft.) | | dBA Anechoic Ratings per CAN/ULC S525 (dBA @ 10 ft.) | |
|--------------------|--------|-----------------------------------|------------|--|------------|--|------------|
| | | Reg 12 VDC | Reg 24 VDC | Reg 12 VDC | Reg 24 VDC | Reg 12 VDC | Reg 24 VDC |
| 2400 Hz | High | 119 | 87 | 87 | 87 | 99 | 100 |
| | Mid | 44 | 28 | 82 | 82 | 94 | 96 |
| | Low | 30 | 18 | 79 | 80 | 92 | 92 |
| Electro-Mechanical | High | 118 | 81 | 86 | 87 | 100 | 100 |
| | Mid | 43 | 26 | 82 | 84 | 96 | 97 |
| | Low | 27 | 16 | 79 | 80 | 93 | 93 |
| Broadband | High | 146 | 78 | 86 | 86 | 101 | 102 |
| | Mid | 41 | 26 | 81 | 82 | 96 | 98 |
| | Low | 28 | 16 | 77 | 79 | 94 | 95 |
| Chime | High | 27 | 21 | 70 | 70 | 86 | 86 |
| | Mid | 11 | 8 | 62 | 62 | 79 | 80 |
| | Low | 9 | 7 | 58 | 57 | 75 | 75 |

Temporal Horn Current

| Pattern | Volume | Max. RMS Current (mA RMS Current) | | dBA Reverberant Ratings per UL464 (dBA @ 10 ft.) | | dBA Anechoic Ratings per CAN/ULC S525 (dBA @ 10 ft.) | |
|--------------------|--------|-----------------------------------|------------|--|------------|--|------------|
| | | Reg 12 VDC | Reg 24 VDC | Reg 12 VDC | Reg 24 VDC | Reg 12 VDC | Reg 24 VDC |
| 2400 Hz | High | 124 | 87 | 82 | 82 | 100 | 100 |
| | Mid | 46 | 30 | 77 | 79 | 95 | 96 |
| | Low | 30 | 18 | 74 | 75 | 92 | 92 |
| Electro-Mechanical | High | 114 | 80 | 83 | 82 | 100 | 101 |
| | Mid | 42 | 27 | 78 | 80 | 95 | 96 |
| | Low | 28 | 16 | 75 | 76 | 93 | 93 |
| Broadband | High | 151 | 80 | 82 | 82 | 101 | 102 |
| | Mid | 45 | 26 | 77 | 78 | 97 | 98 |
| | Low | 30 | 16 | 75 | 76 | 94 | 95 |
| Chime | High | 29 | 21 | 68 | 70 | 86 | 86 |
| | Mid | 10 | 9 | 61 | 61 | 79 | 79 |
| | Low | 9 | 8 | 55 | 55 | 75 | 76 |

March Time Horn Current

| Pattern | Volume | Max. RMS Current (mA RMS Current) | | dBA Reverberant Ratings per UL464 (dBA @ 10 ft.) | | dBA Anechoic Ratings per CAN/ULC S525 (dBA @ 10 ft.) | |
|--------------------|--------|-----------------------------------|------------|--|------------|--|------------|
| | | Reg 12 VDC | Reg 24 VDC | Reg 12 VDC | Reg 24 VDC | Reg 12 VDC | Reg 24 VDC |
| 2400 Hz | High | 121 | 92 | 83 | 84 | 99 | 100 |
| | Mid | 47 | 31 | 79 | 81 | 95 | 96 |
| | Low | 36 | 19 | 76 | 77 | 92 | 92 |
| Electro-Mechanical | High | 114 | 86 | 83 | 83 | 100 | 100 |
| | Mid | 42 | 27 | 80 | 81 | 95 | 96 |
| | Low | 30 | 19 | 77 | 77 | 92 | 93 |
| Broadband | High | 153 | 77 | 83 | 84 | 101 | 102 |
| | Mid | 42 | 28 | 79 | 80 | 97 | 98 |
| | Low | 29 | 16 | 76 | 77 | 94 | 95 |