

## SH-7 SERIES

### 92MM SQUARE FLANGE MOUNT SPDT SWITCH



The SH-7 series are 92mm square flange mount float operated level switches.

This design uses a pivoted float arm with a magnet on the inboard end. This magnet when moved by the rising float arm interacts with another magnet in the switch enclosure to give a snap action operation.

Two switching options are available using either microswitches or reed switches, for different switching power and operating temperature ranges.

There are also two float sizes available of either 150x50mm or 150x41mm.

## SPECIFICATIONS

### Technical

<b>Mounting Style</b>	External via flange
<b>Float Material</b>	316L grade SS
<b>Maximum Temperature</b>	100°C / 200°C
<b>Maximum Pressure</b>	25 bar or 20 bar
<b>Float SG</b>	0.55 or 0.65
<b>Minimum Fluid SG</b>	0.60 or 0.70
<b>Mounting Size</b>	92 x 92 mm square
<b>Other Wetted Parts</b>	SS 304
<b>Cable Entry</b>	½" BSP
<b>Enclosure Rating</b>	IP65
<b>Sealing Gasket</b>	Nitrile

### Features

- 92 x 92 mm Square Flange mount
- SS 316L float material
- SS 304 other wetted parts material
- Available in direct switching version for use at up to 100°C or low power switching at up to 200°C
- Aluminium enclosure with screw on lid and cable gland

### Electrical

		<b>SH-7051/SH-7052</b>	<b>SH-7051RH/SH-7052RH</b>
<b>Contact Form</b>		SPDT	SPDT
<b>Switching Voltage AC Max</b>	V	250	400
<b>Switching Voltage DC Max</b>	V	120	400
<b>Switching Current Max</b>	A	5	1

All electrical ratings are for resistive loads only. RH version should be limited to maximum power 60VA.

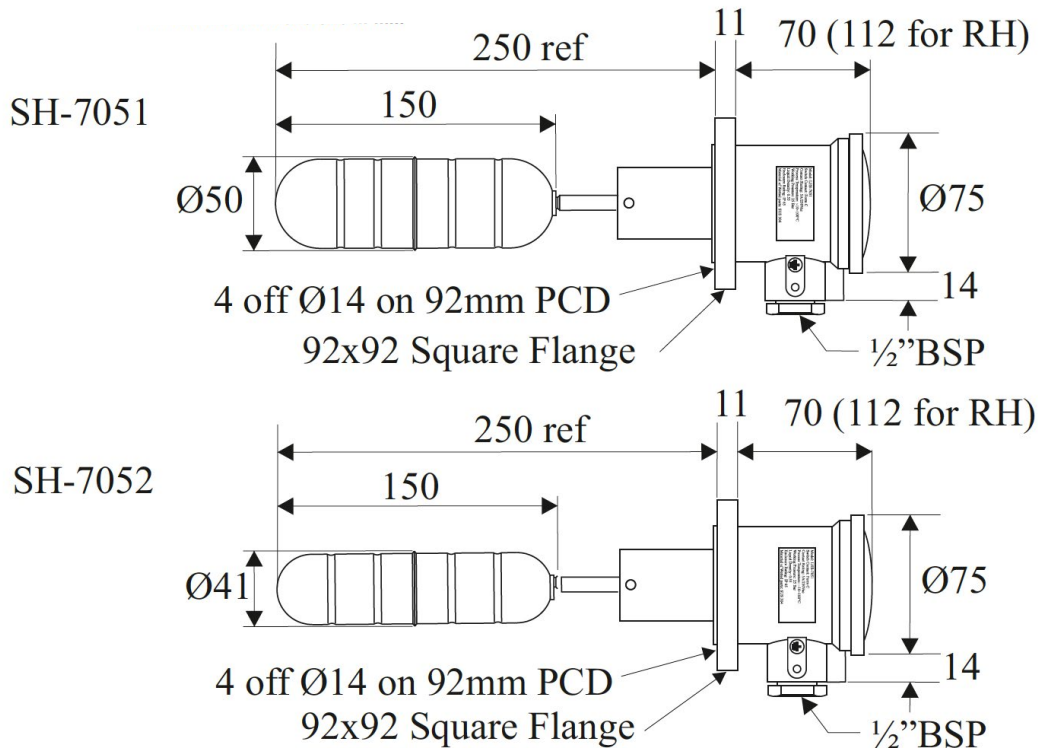
## STANDARD PARTS

	Material	Max Current	Temperature Range	Min SG	Max Pressure
<b>SH-7051</b>	SS 316L/304	5	0 - 100°C	0.60	25 bar
<b>SH-7051RH</b>	SS 316L/304	1	0 - 200°C	0.60	25 bar
<b>SH-7052</b>	SS 316L/304	5	0 - 100°C	0.70	20 bar
<b>SH-7052RH</b>	SS 316L/304	1	0 - 200°C	0.70	20 bar

Custom versions can be made for particular applications. Please contact Sensata with your requirements.

## DIMENSIONS

All dimensions are in millimeters.



Made in the UK

Page 2

Sensata Technologies, Inc. ("Sensata") data sheets are solely intended to assist designers ("Buyers") who are developing systems that incorporate Sensata products (also referred to herein as "components"). Buyer understands and agrees that Buyer remains responsible for using its independent analysis, evaluation and judgment in designing Buyer's systems and products. Sensata data sheets have been created using standard laboratory conditions and engineering practices. Sensata has not conducted any testing other than that specifically described in the published documentation for a particular data sheet. Sensata may make corrections, enhancements, improvements and other changes to its data sheets or components without notice.

Buyers are authorized to use Sensata data sheets with the Sensata component(s) identified in each particular data sheet. HOWEVER, NO OTHER LICENSE, EXPRESS OR IMPLIED, BY ESTOPPEL OR OTHERWISE TO ANY OTHER SENSATA INTELLECTUAL PROPERTY RIGHT, AND NO LICENSE TO ANY THIRD PARTY TECHNOLOGY OR INTELLECTUAL PROPERTY RIGHT, IS GRANTED HEREIN. SENSATA DATA SHEETS ARE PROVIDED "AS IS". SENSATA MAKES NO WARRANTIES OR REPRESENTATIONS WITH REGARD TO THE DATA SHEETS OR USE OF THE DATA SHEETS, EXPRESS, IMPLIED OR STATUTORY, INCLUDING ACCURACY OR COMPLETENESS. SENSATA DISCLAIMS ANY WARRANTY OF TITLE AND ANY IMPLIED WARRANTIES OF MERCHANTABILITY, FITNESS FOR A PARTICULAR PURPOSE, QUIET ENJOYMENT, QUIET POSSESSION, AND NON-INFRINGEMENT OF ANY THIRD PARTY INTELLECTUAL PROPERTY RIGHTS WITH REGARD TO SENSATA DATA SHEETS OR USE THEREOF.

All products are sold subject to Sensata's terms and conditions of sale supplied at [www.sensata.com](http://www.sensata.com) SENSATA ASSUMES NO LIABILITY FOR APPLICATIONS ASSISTANCE OR THE DESIGN OF BUYERS' PRODUCTS. BUYER ACKNOWLEDGES AND AGREES THAT IT IS SOLELY RESPONSIBLE FOR COMPLIANCE WITH ALL LEGAL, REGULATORY AND SAFETY-RELATED REQUIREMENTS CONCERNING ITS PRODUCTS, AND ANY USE OF SENSATA COMPONENTS IN ITS APPLICATIONS, NOTWITHSTANDING ANY APPLICATIONS-RELATED INFORMATION OR SUPPORT THAT MAY BE PROVIDED BY SENSATA.

Mailing Address: Sensata Technologies, Inc., 529 Pleasant Street, Attleboro, MA 02703, USA.

## CONTACT US

+44 (0)1202 897969  
 c3w\_sales@sensata.com  
 Cynergy3 Components Ltd.  
 7 Cobham Road,  
 Ferndown Industrial Estate,  
 Wimborne, Dorset,  
 BH21 7PE, United Kingdom