


SI-QS75 and SI-QS90 Flat Pack Safety Interlock Switch



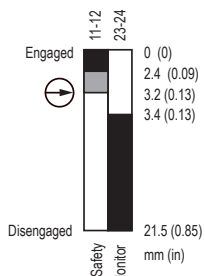
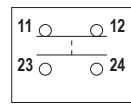
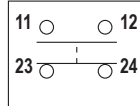
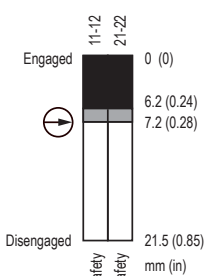
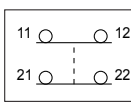
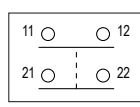
Datasheet

SI-QS75 and SI-QS90 Series 75 mm and 90 mm Flat Pack Style



-  Positive opening safety contacts (IEC 60947-5-1) (not dependent upon springs)
- Mechanically-coded actuators use two independent operating elements to minimize intentional tampering or defeat
- Rotating head allows actuator engagement from front or back or either of two top positions
- Choice of three standard actuators; special high extraction force actuator is available as option
- Insulated device (IEC 60947-5-1) on all models with plastic housings

Models

Kit Model*	Actuator Type*	Interlock Body*	Contact Configuration (Actuator Engaged)	Contact Configuration (Actuator Removed)	Switching Diagrams
SI-QS90MD	SI-QS-SSA-4 In-Line Stamped	SI-QS90D	One N.C. and One N.O. Contact		
SI-QS90MFD (Direct replacement for models SI-QS90MRHD and SI-QS90MRVD)	SI-QS-SSU Flexible				
SI-QS90MD-100 (High Force) (replacement for model SI-QS90MDHF)**	SI-QS-SSA In-Line Die-Cast & SI-QS-100 High Force Accessory				
SI-QS90ME	SI-QS-SSA-4 In-Line Stamped	SI-QS90E	Two N.C. Contacts		
SI-QS90MFE (Direct replacement for models SI-QS90MRHE and SI-QS90MRVE)	SI-QS-SSU Flexible				
SI-QS90ME-100 (High Force) (replacement for model SI-QS90MEHF)**	SI-QS-SSA In-Line Die-Cast & SI-QS-100 High Force Accessory				



Kit Model*	Actuator Type*	Interlock Body*	Contact Configuration (Actuator Engaged)	Contact Configuration (Actuator Removed)	Switching Diagrams
SI-QS90MF	SI-QS-SSA-4 In-Line Stamped	SI-QS90F	Two N.C. and One N.O. Contact		
SI-QS90MFF (Direct replacement for models SI-QS90MRHF and SI-QS90MRVF)	SI-QS-SSU Flexible				
SI-QS90MF-100 (high force) (replacement for SI-QS90MFHF) **	SI-QS-SSA In-Line Die-Cast & SI-QS-100 High Force Accessory				
SI-QS75MC	SI-QS-SSA-4 In-Line Stamped	SI-QS75C	One N.O. Contacts		
SI-QS75MFC (Direct replacement for models SI-QS75MRHC and SI-QS75MRVC)	SI-QS-SSU Flexible				
SI-QS75MC-100 (high force) (replacement for SI-QS75MCHF) **	SI-QS-SSA In-Line Die-Cast & SI-QS-100 High Force Accessory				

Switching Diagram Key



This symbol () is used in the switching diagrams to identify the point in actuator travel where the normally closed safety contact is fully open.

* A kit contains an interlock and actuator. Individual interlock bodies or actuators are for replacement purposes only. See the warning in [Accessories](#) on page 8.

** High Force: 50 N (11.25 lbf) to 100 N (22.50 lbf) holding force achieved by adding the SI-QS-100 to the standard switch. Use only the SI-QS-SSA in-line actuator.

Important Information Regarding the Use of Safety Switches

In the United States, the functions that Banner safety switches are intended to perform are regulated by the Occupational Safety and Health Administration (OSHA). Whether or not any particular safety switch installation meets all applicable OSHA requirements depends upon factors that are beyond the control of Banner Engineering Corp. These factors include the details of how the safety switches are applied, installed, wired, operated, and maintained.



WARNING:

- **Read this Section Carefully Before Installing the System**
- **Failure to follow these instructions could result in serious injury or death.**
- If all mounting, installation, interfacing, and checkout procedures are not followed properly, this Banner Engineering Corp device cannot provide the protection for which it was designed.
- The user is responsible for ensuring that all local, state, and national laws, rules, codes, or regulations relating to the installation and use of this control system in any particular application are satisfied. Ensure that all legal requirements have been met and that all technical installation and maintenance instructions contained in this manual are followed.
- The user has the sole responsibility to ensure that this Banner Engineering Corp device is installed and interfaced to the guarded machine by Qualified Persons, in accordance with this manual and applicable safety regulations. A Qualified person is a person who, by possession of a recognized degree or certificate of professional training, or who, by extensive knowledge, training and experience, has successfully demonstrated the ability to solve problems relating to the subject matter and work.

Banner Engineering Corp. recommends that safety switches be applied according to the guidelines set forth in international (ISO/IEC) standards listed below. Specifically, Banner Engineering Corp. recommends application of these safety switches in a configuration which meets safety category 4, per ISO 13849.

It is the responsibility of the machine designer, controls engineer, machine builder, and/or maintenance electrician to apply and maintain this product in full compliance with all applicable regulations and standards. The product can provide the required safety function only if it is properly installed, properly operated, and properly maintained. This manual attempts to provide complete installation, operational, and maintenance instructions. Reading the manual completely is highly recommended. Please direct any questions regarding the application or use of this product to a Banner Engineering Applications Engineer at the locations listed in this document.

Application Assistance
Toll Free: 1-888-3-SENSOR (1-888-373-6767)
Email: sensors@bannerengineering.com
9714 Tenth Avenue North
Minneapolis, MN 55441

U.S. Regulations Applicable to Use of Banner Safety Switches

OSHA Code of Federal Regulations: Title 29, Parts 1900 to 1910

Available from: Superintendent of Documents, Government Printing Office, P.O. Box 371954, Pittsburgh, PA 15250-7954, Tel: 202-512-1800

U.S. Standards Applicable to Use of Banner Safety Switches

ANSI B11 Standards for Machine Tools Safety

ANSI B11.19 Performance Criteria for Safeguarding

NFPA 79 Electrical Standard for Industrial Machinery

ANSI/RIA R15.06 Safety Requirements for Industrial Robots and Robot Systems

Contact: Safety Director, AMT – The Association for Manufacturing Technology, 7901 Jones Branch Drive, Suite 900, McLean, VA 22102-4206 USA, www.amtonline.org

Applicable European and International Standards

EN ISO 12100 Safety of Machinery – Basic Concepts, General Principles for Design

ISO 13852 (EN 294) Safety of Machinery—Safety Distances to Prevent Danger Zones Being Reached by the Upper Limbs

ISO 13853 (EN 811) Safety of Machinery—Safety Distances to Prevent Danger Zones Being Reached by the Lower Limbs

ISO 13857 Safety of Machinery – Safety Distances to Prevent Hazard Zones Being Reached

EN ISO 13849-1 Safety-Related Parts of Control Systems

EN 13855 (EN 999) The Positioning of Protective Equipment in Respect to Approach Speeds of Parts of the Human Body

ISO 14119 (EN 1088) Interlocking Devices Associated with Guards – Principles for Design and Selection

EN 60204-1 Electrical Equipment of Machines Part 1: General Requirements

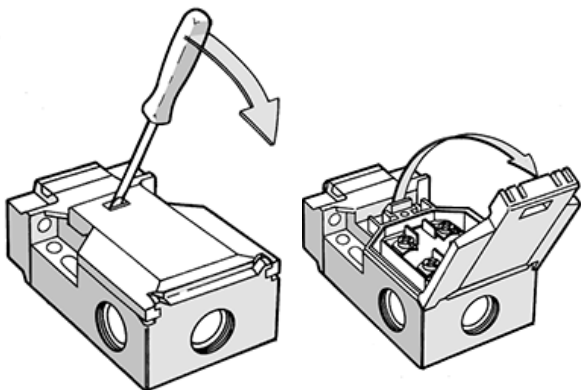
IEC 60947-5-1 Low Voltage Switchgear – Electromechanical Control Circuit Devices

ISO 14120 Safety of machinery – Guards – General requirements for the design and construction of fixed and movable guards

Contact: IHS Markit (Global Engineering Documents), 15 Inverness Way East, Englewood, CO 80112 USA, <https://global.ih.com/>

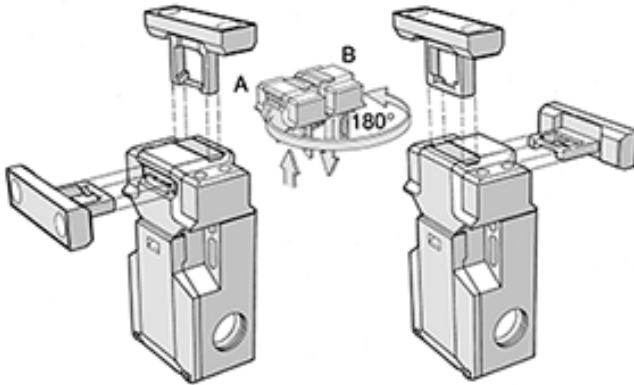
Overview

Figure 1. Easy access



Access the wiring chamber via a hinged door. Simply insert a flat-blade screwdriver, as shown, and pry gently down to open.

Figure 2. Rotating actuator head



The actuator head may be rotated 180° to create four possible actuator engagement locations. To rotate the head:

1. Open the wiring chamber door, as shown.
2. Using a small flat-blade screwdriver, dislodge the two locking tabs located on the backside of the switch.
3. Lift the head straight off of the switch body.
4. Rotate the head, as shown, and reinstall it on the switch body.

Mechanical Installation



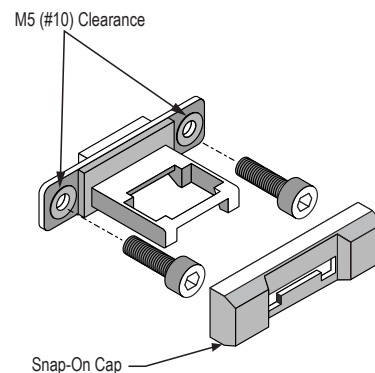
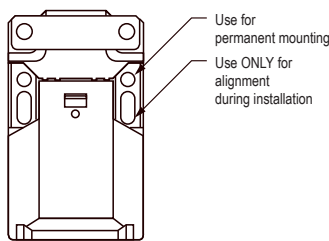
WARNING:

- **The hazard must be accessible only through the sensing field**
- Incorrect system installation could result in serious injury or death.
- The installation of the SI-QSxx Switch must prevent any individual from reaching around, under, over or through the defined area and into the hazard without being detected.
- See OSHA CFR 1910.217, ANSI B11.19, and/or ISO 14119, ISO 14120 and ISO 13857 for information on determining safety distances and safe opening sizes for your guarding device. Mechanical barriers (for example, hard (fixed) guarding) or supplemental safeguarding might be required to comply with these requirements.



Important: Install a safety switch in a manner that discourages tampering or defeat. Mount switches to prevent bypassing of the switching function at the terminal chamber. A switch and its actuator must never be used as a mechanical stop. Overtravel may cause damage to switch.

All mounting hardware is supplied by the user. The fasteners must be of sufficient strength to guard against incidental breakage. Use of permanent fasteners or locking hardware is recommended to prevent loosening or displacement of the actuator and switch body.



1. Temporarily mount the switch body in place, with its actuator inserted, using the slotted 5 mm holes. The slotted holes in the switch body must **ONLY** be used for alignment during installation. The round 5 mm holes (only) must be used for permanent mounting to prevent loosening or displacement of the actuator and the switch body. Only M5 (#10) screws (user supplied), should be used.
2. Slide the switch body on its temporary fasteners to locate and mark the actuator mounting position.
3. Remove the actuator from the switch body and mount it using tamper-resistant 5 mm (#10) hardware (e.g., Torx-head screws, rivets, etc.).
The non-adjustable in-line actuator includes floating sleeves in the mounting holes to allow some forgiveness for switch-to-actuator alignment. Do not over-tighten the actuator fasteners so as to allow this movement. This actuator also includes a snap-on cap to cover the fasteners.
4. Engage the actuator into the switch body. Align them so that the actuator is fully engaged.
5. Fasten the switch body in place using two tamper-resistant 5 mm (#10) screws through the two round holes.

6. Check switch engagement for misalignment and binding.

Electrical Installation



CAUTION:

- **Safety switch installation**
- Using only one safety switch per interlock guard is not recommended.
- Use two safety switches for each interlock guard to achieve control reliability or Safety Category 4 (per ISO 13849-1) of a machine stop circuit.
- In addition, normally-closed (N.C.) safety contacts from each of the two safety switches should be connected to the two separate inputs of a two-channel safety monitoring device. This is required to monitor for safety switch contact failure and to provide the necessary reset routine, as required by IEC 60204-1 and NFPA 79 machine safety standards.



WARNING:

- **Connecting safety switches in series**
- Monitoring multiple guards with a series connection of multiple safety interlock switches is not a Safety Category 4 Application (per ISO 13849-1). A single failure can be masked or not detected at all. The loss of a safety stop signal or an inappropriate reset can lead to serious injury or death.
- When such a configuration is used, procedures must be performed regularly to verify proper operation of each switch. Correct all failures immediately (for example, immediately replace a failed switch).

Access to the Wiring Chamber

The wiring chamber is accessed via the hinged door (see [Overview](#) on page 3). Select the best wiring entrance and thread in the ½" x 14 NPT conduit adapter (supplied), or the optional M20 x 1.5 or M16 x 1.5 cable gland. The switch knockout will break loose with the final turn of the conduit adapter or cable gland (i.e., as it bottoms out).

Connection to a Machine

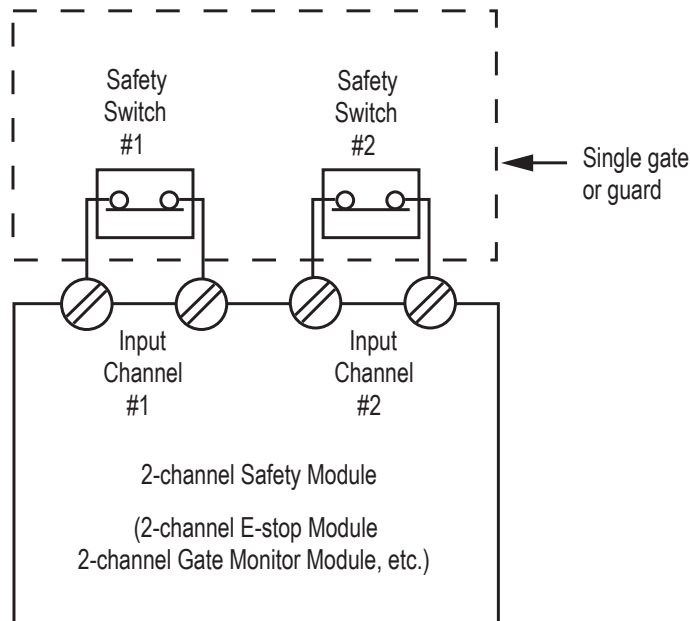
As shown, a normally-closed safety contact (i.e., a safety contact that is closed when the actuator is engaged) from each of two safety switches per interlock guard must connect to a 2-channel safety module or safety interface in order to achieve a control reliable interface to the master stop control elements of a machine. Examples of appropriate safety modules include 2-channel emergency stop (E-stop) safety modules and gate monitor safety modules.

Two functions of the safety module or safety interface are to:

1. provide a means of monitoring the contacts of both safety switches for contact failure, and to prevent the machine from restarting if either switch fails; and
2. provide a reset routine after closing the guard and returning the safety switch contacts to their closed position. This prevents the controlled machinery from restarting by simply reinserting the safety switch actuators. This necessary reset function is required by ANSI B11 and NFPA 79 machine safety standards.

Use only a positively driven, normally closed safety contact from each switch for connection to the safety module. The normally open contact may be used for control functions that are not safety-related. A typical use is to communicate with a process controller. Refer to the installation instructions provided with the safety modules for more information regarding the interface of the safety module to the machine stop control elements.

Figure 3. Connect two redundant safety switches per interlock guard to an appropriate 2-channel input safety module.



Periodic Checks

Safety switches should be checked at each shift change or machine setup by a designated person for:

1. Breakage of the switch body or actuator,
2. Good alignment and full engagement of the actuator with the receptor,
3. Confirmation that the safety switch is not being used as an end stop,
4. Loosening of the switch or actuator mounting hardware, and
5. Verification that it is not possible to reach any hazard point through an opened guard (or any opening) before hazardous machine motion has completely stopped.

In addition, a qualified person should check for the following on a periodic schedule determined by the user based upon the severity of the operating environment and the frequency of switch actuations:

1. Check the wiring chamber for signs of contamination.
2. Check the contacts for signs of deterioration or damage.
3. Inspect the electrical wiring for continuity and damage.
4. Verify the wiring conforms to the instructions given in this datasheet.

A designated person is identified in writing by the employer as being appropriately trained to perform a specified checkout procedure. A qualified person possesses a recognized degree or certificate or has extensive knowledge, training, and experience to be able to solve problems relating to the safety switch installation.

Repairs

Contact Banner Engineering for troubleshooting of this device. **Do not attempt any repairs to this Banner device; it contains no field-replaceable parts or components.** If the device, device part, or device component is determined to be defective by a Banner Applications Engineer, they will advise you of Banner's RMA (Return Merchandise Authorization) procedure.



Important: If instructed to return the device, pack it with care. Damage that occurs in return shipping is not covered by warranty.



WARNING:

- **Do not abuse the module after failure**—If an internal fault has occurred and the module will not reset, do not tap, strike, or otherwise attempt to correct the fault with a physical impact to the housing.
- Failure to follow these instructions could result in serious injury or death.
- An internal relay might have failed in such a manner that its replacement is required. If the module is not immediately replaced or repaired, multiple simultaneous failures might accumulate such that the safety function cannot be guaranteed.

Specifications

Contact Rating

Maximum Making Current: 10 A
Rated Impulse Withstand Voltage (U_{imp}): 2.5 kV

Contact Material

Silver-nickel alloy

Maximum Switching Speed

30 operations per minute

Actuator Approach Speed

Maximum of 0.2 m/s (7.9 in/s)

Minimum Actuator Engagement Radius

In-line actuators: 150 mm (6 in)
Flexible actuators: 50 mm (2 in) in all directions

Actuator Extraction Force

High force models: 50–100 N (11 lbf) when using the high-force accessory
All other models: 10 N (2.2 lbf)

Short Circuit Protection

6 amp Slow Blow (gG). Recommended external fusing or overload Protection.
Rated Conditional short-circuit current: 1000 A

Wire Connections

Solid wires: 0.5 to 1.5 mm² (20–16 AWG)
Stranded wire with ferrule: 0.5 to 1.5 mm² (20–16 AWG)

Weight

SI-QS75 models: 0.11 kg (0.25 lb)
SI-QS90 models: 0.13 kg (0.29 lb)

Cable Entry

SI-QS75 models: M16 × 1.5 threaded entrance
SI-QS90 models: M20 × 1.5 threaded entrance
Adapter supplied to convert to ½"-14 NPT threaded entrance.

Application Notes

Models with one and two contacts have three cable entry locations (bottom and two sides); models with three contacts have two cable entry locations (two sides). All entry locations are sealed with knockouts. To remove knockouts, thread the supplied M16 × 1.5 or M20 × 1.5 to ½"-14 NPT conduit adapter or optional M16 × 1.5 or M20 × 1.5 cable gland into one of the threaded entry locations. The knockout will break open just before the adapter or cable gland bottoms out.

European Rating

Rating	Symbol	Switches with 1 contact	Switches with 2 contacts	Switches with 3 contacts
Rated Isolation Voltage	U_i	250 V AC	250 V AC	400 V AC
Conventional Thermal Current	I_{the}	5 A	10 A	5 A
Utilization Category (AC-15)	U_e / I_e	240 V/1.5 A	240 V/3 A	240 V/1.5 A
Utilization Category (DC-13)	U_e / I_e		24 V/4 A	
NEMA Contact Rating		B300 (same polarity)	A300 Q300 (same polarity)	B300 (same polarity)

Mechanical Life

1 million operations

Construction

Body and head: Polyamide PA6 GF FR (UL94-V0)
Cover: Polyamide PA66/6 GF FR (UL94-V0)

Environmental Rating

IEC IP65
NEMA 4X, Indoor use only

B10d

NO Contact: 2×10^6 cycles at DC-13; 24 V; $I_{e2} = 0.2$ A based on ISO 13849-1
NC Contact: 2×10^5 cycles at DC-13; 24 V; $I_{e2} = 0.2$ A based on ISO 13849-1

Operating Conditions and Storage Conditions

-30 °C to +80 °C (-22 °F to +176 °F)

Certifications

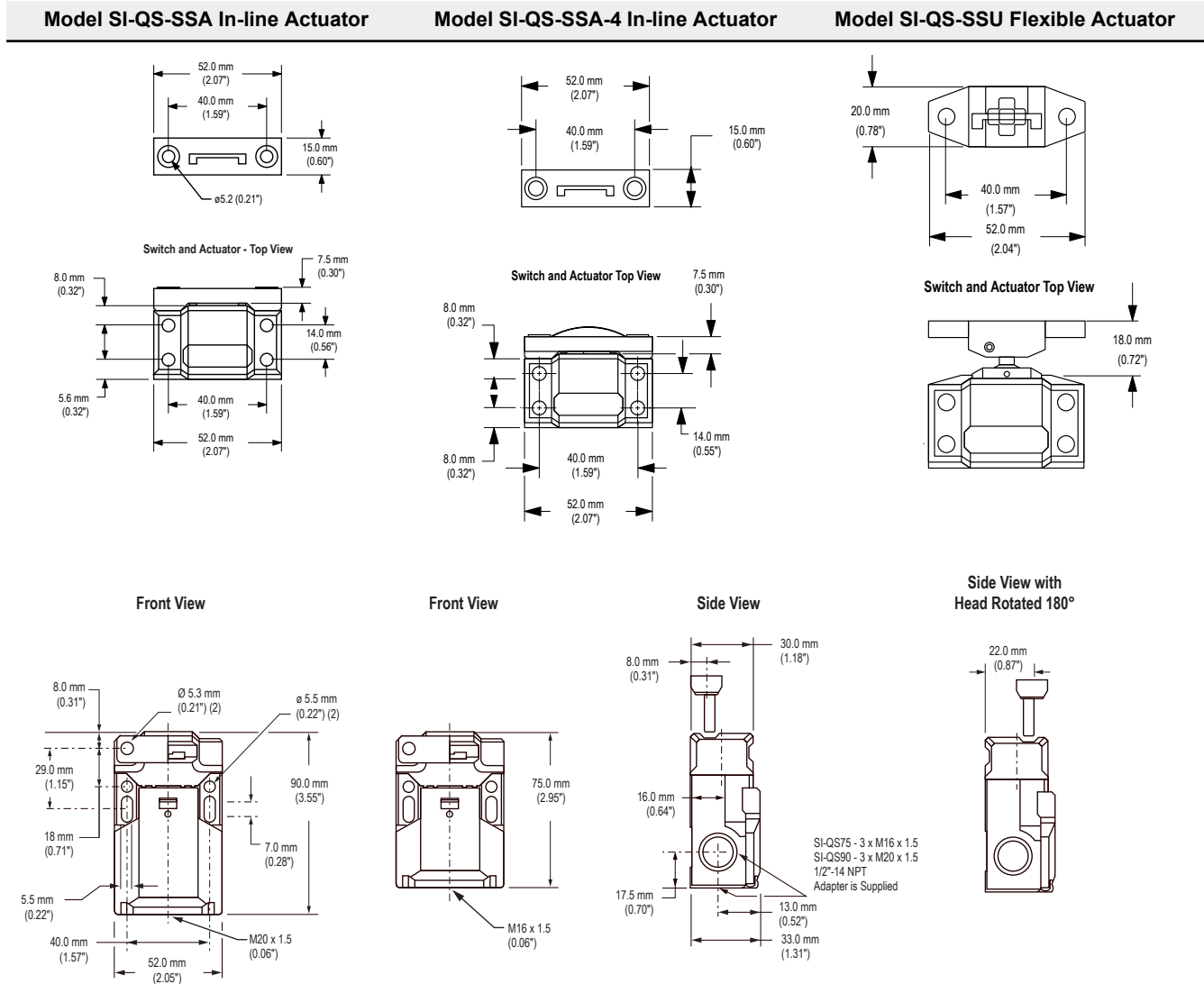


Banner Engineering Europe
Park Lane,
Culliganlaan 2F bus 3,
1831 Diegem, BELGIUM

Turck Banner LTD
Blenheim House, Blenheim
Court, Wickford, Essex
SS11 8YT, Great Britain



Dimensions



Accessories

Cable Glands

Model	Size	For Cable Diameter	Dimensions	Used With
SI-QS-CGM16	M16 x 1.5 Plastic	3.0 to 8.0 mm (0.12 to 0.31 inches)		SI-LS83 Safety Interlock Switch SI-QS75 Safety Interlock Switch
SI-QS-CGM20	M20 x 1.5 Plastic	5.0 to 12.0 mm (0.20 to 0.47 inches)		RP-LS42 Rope Pull Switch SI-GL42 Safety Interlock Switch SI-LS31 Safety Interlock Switch SI-LS42 Safety Interlock Switch SI-LS100 Safety Interlock Switch SI-QS90 Safety Interlock Switch

Conduit Adapters

One conduit adapters is supplied with each switch.

Model	Size	Thread Conversion	Dimensions	Used With
SI-QS-M16	½ in-14 NPT Plastic	M16 × 1.5 to ½ in-14 NPT		SI-LS83 Safety Interlock Switch SI-QS75 Safety Interlock Switch

Model	Size	Thread Conversion	Dimensions	Used With
SI-QS-M20	½ in-14 NPT Plastic	M20 × 1.5 to ½ in-14 NPT		SI-GL42 Safety Interlock Switch SI-LS31 Safety Interlock Switch SI-LS42 Safety Interlock Switch SI-LS100 Safety Interlock Switch SI-QS90 Safety Interlock Switch RP-LS42 Rope Pull Switch

Misc

High Force Adapter	Model	Application
	SI-QS-100	High-force accessory for in-line actuator SI-QS-SSA. Provides additional holding force for particularly heavy doors, gates, or guards. Adjustable from 50 to 100 Newtons (force). Used only for switches with in-line actuator SI-QS-SSA.

Replacement Actuators

	Model	Application
	SI-QS-SSA (Inline)	For doors or covers with a radius of 150 mm (6 inches), or greater. A one-way snap-on cap is supplied to prevent unauthorized removal of the actuator mounting hardware. The actuator is die-cast stainless steel.
	SI-QS-SSA-4 (Flexible Inline)	For doors or covers with a radius of 150 mm (6 inches), or greater. A one-way snap-on cap is supplied to prevent unauthorized removal of the actuator mounting hardware. The actuator is stamped steel.
	SI-QS-SSU (Flexible)	For hinged doors with a radius of 50 mm (2 inches) or greater. Flexes in four directions. The actuator is die-cast stainless steel.
	SI-QS-SSUA (Adapter Plate)	Clear acrylic adapter plate used to retrofit SI-QS-SSU to older flexible actuators SI-QS-HMA and SI-QS-VMA.