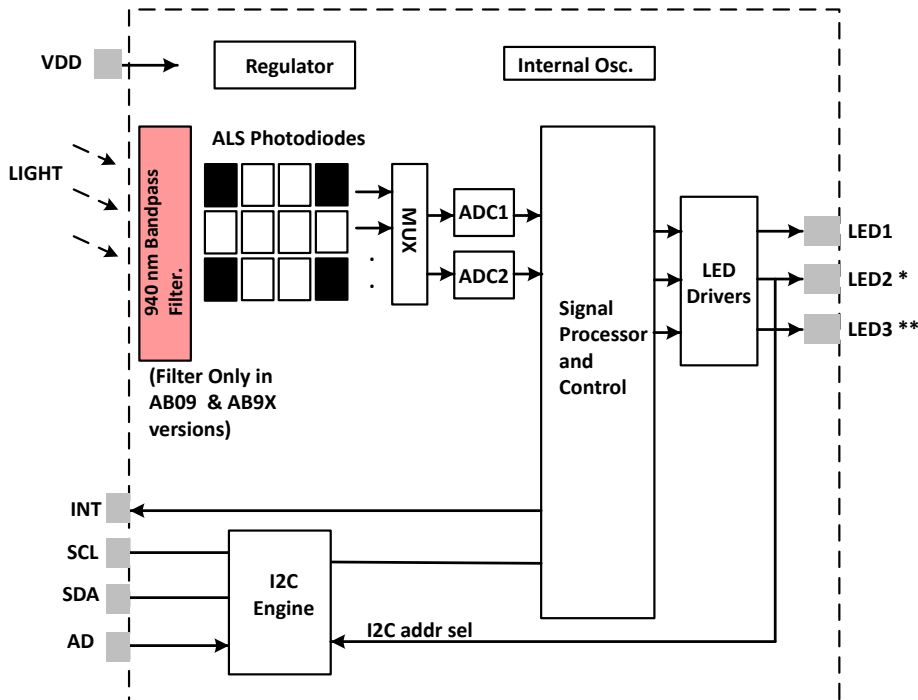


Si115x Data Sheet

Proximity/Ambient Light Sensor IC with I²C Interface

The Si115x-AB00/AB09/AB9x is an ambient light sensor, proximity, and gesture detector with I²C digital interface and programmable-event interrupt output.

This touchless sensor IC includes dual 23-bit analog-to-digital converters, an integrated high-sensitivity array of visible and infrared photodiodes, a digital signal processor, and up to three integrated LED drivers with programmable drive levels. The Si115x offers excellent performance under a wide dynamic range and a variety of light sources, including direct sunlight. The Si115x can also work under dark glass covers. The photodiode response and associated digital conversion circuitry provide excellent immunity to artificial light flicker noise and natural light flutter noise. With two or more LEDs, the Si115x is capable of supporting multiple-axis proximity motion detection. The Si115x is provided in a 10-lead 2x2 mm DFN package or in a 10-lead 2.9x4.9 mm LGA module with integrated LED, and is capable of operation from 1.62 to 3.6 V over the -40 to +85 °C temperature range.



* Pull up to VDD with 47 kOhm resistor to select primary I2C address (0x53), or down to GND for alt I2C address 0x52. LED2 driving capabilities only available on Si1152 and Si1153.

** Pull up to VDD with 47 kOhm resistor. LED3 driving capabilities only available on Si1153.

KEY FEATURES

- Proximity detector
 - From under 1 cm, to 50 cm without additional lensing.
 - From under 1 cm, to 200 cm with additional lensing (e.g., 5 mm hemispherical lens as in our EVB).
 - Up to three independent LED drivers.
 - 30 current settings from 5.6 mA to 360 mA for each LED driver.
 - Operates in direct sunlight with optional on-die 940 nm passband filter.
 - On die 940 bandpass filter that rejects unwanted visible light and IR from daylight and other sources (Si115x-AB09/AB9X).
- Ambient light sensor
 - <100 mlx resolution possible, allowing operation under dark glass.
 - Up to 128 klx dynamic range possible across two ADC range settings.
- Industry's lowest power consumption
 - 1.62 to 3.6 V supply voltage.
 - 9 µA average current (LED pulsed 24.4 µs every 800 ms at 180 mA plus 3 µA Si115x supply).
 - <500 nA standby current.
 - 24.4 µs LED "on" time keeps total power consumption duty cycle low without compromising performance or noise community.
 - Internal and external wake support.
 - Built-in voltage supply monitor and power-on reset controller.

APPLICATIONS

- Wearables
- Handsets
- Display backlighting control
- Consumer electronics

Table of Contents

1. Feature List	4
2. Ordering Guide	5
3. Functional Description	6
3.1 Ambient Light Sensing	8
3.2 Proximity Sensing	8
3.3 Power Consumption	10
3.4 Host Interface	11
4. Operational Modes	13
4.1 Off Mode	13
4.2 Initialization Mode	13
4.3 Standby Mode	13
4.4 Forced Conversion Mode	13
4.5 Automated Operation Mode	13
5. User to Sensor Communication	14
5.1 Basic I ² C Operation	14
5.2 Relationship Between I ² C Registers and Parameter Table	15
5.3 I ² C Command Register Operation	17
5.3.1 Accessing the Parameter Table (PARAM_QUERY & PARAM_SET Commands)	19
5.3.2 Sensor Operation Initiation Commands	19
5.3.3 RESET_CMD_CTR Command	19
5.3.4 RESET Command	19
5.4 I ² C Register Summary	20
5.4.1 PART_ID	20
5.4.2 HW_ID	21
5.4.3 REV_ID	21
5.4.4 INFO0	21
5.4.5 INFO1	21
5.4.6 HOSTIN0	22
5.4.7 COMMAND	22
5.4.8 IRQENABLE	22
5.4.9 RESPONSE1	22
5.4.10 RESPONSE0	23
5.4.11 IRQ_STATUS	24
5.4.12 HOSTOUTx	24
6. Measurement: Principle of Operation	25
6.1 Output Field Utilization	25
6.2 Autonomous and Forced Modes	27
6.3 Burst Mode	29

6.4	Interrupt Operation	.31
6.5	Timing of Channel Measurements	.31
7.	Parameter Table	.33
7.1	Global Area of the Parameter Table	.35
7.2	Channel Specific Setup Areas of the Parameter Table.	.36
7.2.1	ADCCONFIGx	.38
7.2.2	ADCSENSx	.39
7.2.3	ADCPOSTx	.40
7.2.4	MEASCONFIGx	.41
7.3	Photodiode Selection	.42
8.	Electrical Specifications	.43
9.	Pin Descriptions	.53
9.1	DFN Pin Description	.53
9.2	Module Pin Description	.54
10.	Package Outline	.55
10.1	10-Pin 2x2 mm DFN	.55
10.2	10-Pin LGA Module	.56
11.	Land Patterns.	.58
11.1	2x2 mm DFN Land Pattern	.58
11.2	10-Pin LGA Module	.59
12.	Revision History.	.60

1. Feature List

- Proximity detector
 - From under 1 cm to 50 cm without additional lensing.
 - From under 1 cm to 200 cm with additional lensing (e.g., 5 mm hemispherical lens).
 - Up to three independent LED drivers.
 - 30 current settings from 5.6 mA to 360 mA for each LED driver.
 - Operates in direct sunlight with optional on-die 940 nm passband filter.
 - On die 940 bandpass filter that rejects unwanted visible light and IR from daylight and other sources (Si115x- AB09/ AB9X).
- Ambient light sensor
 - <100 mlx resolution possible, allowing operation under dark glass.
 - Up to 128 klx dynamic range possible across two ADC range settings.
- Industry's lowest power consumption
 - 1.62 to 3.6 V supply voltage
 - 9 μ A average current (LED pulsed 24.4 μ s every 800 ms at 180 mA plus 3 μ A Si115x supply)
 - <500 nA standby current
 - 24.4 μ s LED "on" time keeps total power consumption duty cycle low without compromising performance or noise community
 - Internal and external wake support
 - Built-in voltage supply monitor and power-on reset controller
- Trimmable internal oscillator with typical 1% accuracy
- I²C Serial communications
 - Up to 400 k data rate
 - Slave mode hardware address decoding
- Two package options:
 - 10-lead 2 x 2 x 0.65 mm DFN
 - 10-lead 2.9 x 4.9 x 1.2 mm LGA module with integrated 940 nm LED
- Temperature Range: -40 to +85 °C

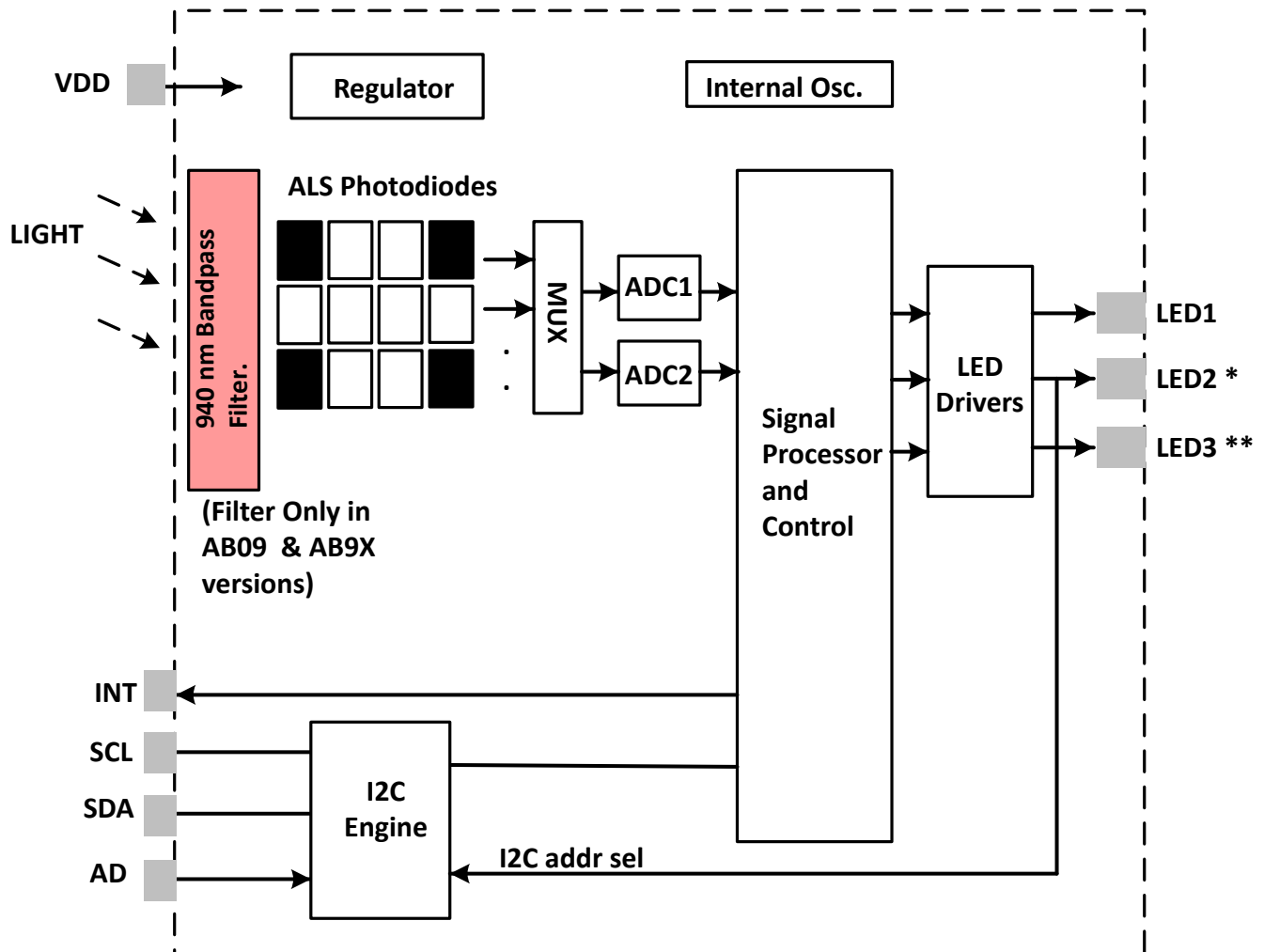
2. Ordering Guide

Table 2.1. Ordering Guide

Family	OPNs	Package	ALS	940 nm Filter	Proximity (# of LED Drivers)	# of LEDs Included
Si1151	Si1151-AB00-GMR	2 x 2 mm DFN	Y		1	0
Si1151	Si1151-AB09-GMR	2 x 2 mm DFN		Y	1	0
Si1152	Si1152-AB00-GMR	2 x 2 mm DFN	Y		2	0
Si1152	Si1152-AB09-GMR	2 x 2 mm DFN		Y	2	0
Si1153	Si1153-AB00-GMR	2 x 2 mm DFN	Y		3	0
Si1153	Si1153-AB09-GMR	2 x 2 mm DFN		Y	3	0
Si1153	Si1153-AB9x-GMR	2.85 x 4.9 mm LGA Module		Y	3	1

3. Functional Description

The Si115x is an active optical reflectance proximity detector, with ambient light sensors whose operational state is controlled through registers accessible through the I2C interface. The host can command the Si115x to initiate on-demand Ambient Light or proximity measurements. The host can also place the Si115x in an autonomous operational state where it performs measurements at set intervals and interrupts the host either after each measurement is completed or whenever the sample is larger/smaller than a set threshold value or exits/enters a set threshold window. This results in overall system power saving, allowing the host controller to operate longer in its sleep state instead of polling the Si115x.



* Pull up to VDD with 47 kOhm resistor to select primary I2C address (0x53), or down to GND for alt I2C address 0x52. LED2 driving capabilities only available on Si1152 and Si1153.

** Pull up to VDD with 47 kOhm resistor. LED3 driving capabilities only available on Si1153.

Figure 3.1. Functional Block Diagram

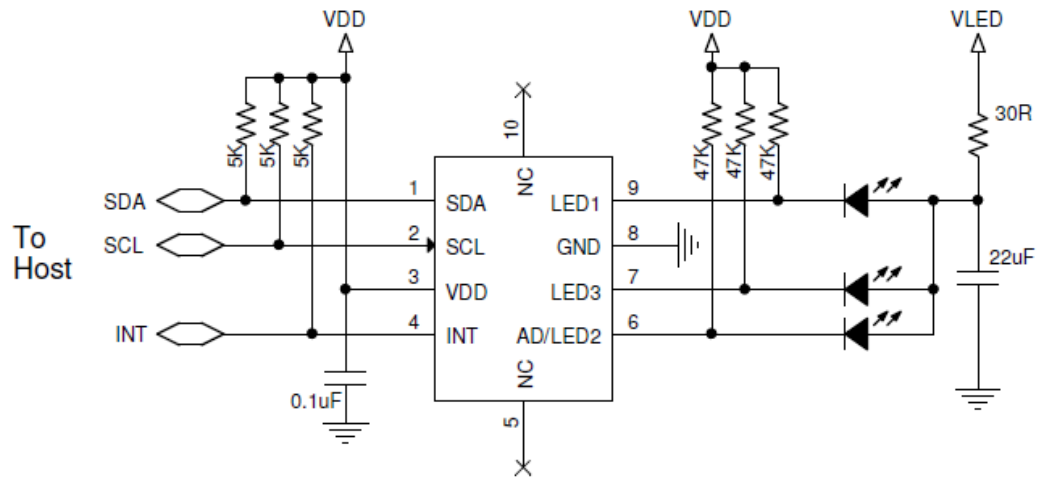


Figure 3.2. Si115x DFN Package Basic Application

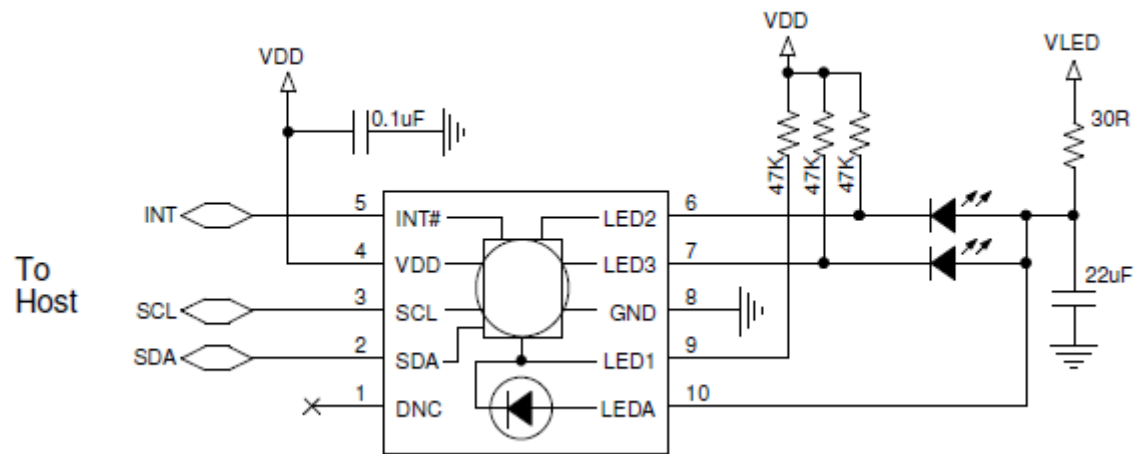


Figure 3.3. Si115x LGA Module Basic Application

3.1 Ambient Light Sensing

The Si115x has photodiodes capable of measuring visible and infrared light. However, the visible photodiode is also influenced by infrared light. The measurement of illuminance requires the same spectral response as the human eye. If an accurate lux measurement is desired, the extra IR response of the visible-light photodiode must be compensated. Therefore, to allow the host to make corrections to the infrared light's influence, the Si115x reports the infrared light measurement on a separate channel. The separate visible and IR photodiodes lend themselves to a variety of algorithmic solutions. The host can then take these two measurements and run an algorithm to derive an equivalent lux level as perceived by a human eye. Having the IR correction algorithm running in the host allows for the most flexibility in adjusting for system-dependent variables. For example, if the glass used in the system blocks visible light more than infrared light, the IR correction needs to be adjusted. Si115x parts with the bandpass 940 nm filter cannot be used for ambient light sensing.

If the host is not making any infrared corrections, the infrared measurement can be turned off in the CHAN_LIST parameter.

By default, the measurement parameters are optimized for indoor ambient light levels, where it is possible to detect low light levels. For operation under direct sunlight, the ADC can be programmed to operate in a high signal operation so that it is possible to measure direct sunlight without overflowing.

For low-light applications, it is possible to increase the ADC integration time. Normally, the integration time is 24.4 μ s. By increasing this integration time, the ADC can detect light levels as low as 100 mlx. The ADC integration time for the Visible Light Ambient measurement can be programmed independently of the ADC integration time of the Infrared Light Ambient measurement. The independent ADC parameters allow operation under glass covers having a higher transmittance to Infrared Light than Visible Light.

When operating in the lower signal range, or when the integration time is increased, it is possible to saturate the ADC when the ambient light suddenly increases. Any overflow condition will have the corresponding data registers report a value of 0xFFddFF for 16-bit mode and 0x7FFFFFFF for 24-bit mode. The host can adjust the ADC sensitivity to avoid an overflow condition. If the light levels return to a range within the capabilities of the ADC, the corresponding data registers begin to operate normally.

The Si115x can initiate ALS measurements either when explicitly commanded by the host or periodically through an autonomous process. Refer to Section 4. [Operational Modes](#) for additional details.

Two ADCs can be used for simultaneous readings of the visible or proximity photodiode and black dark current reference photodiode. When subtracted, these differential measurements remove dark current, reducing noise that enables lower light sensitivity.

3.2 Proximity Sensing

The Si115x has been optimized for use as either a dual-port or single-port active reflection proximity detector. Over distances of less than 50 cm, the dual-port active reflection proximity detector has significant advantages over single-port, motion-based infrared systems, which are only good for triggered events. Motion-based infrared detectors identify objects within proximity, but only if they are moving. Single-port motion-based infrared systems are ambiguous about stationary objects even if they are within the proximity field. The Si115x can reliably detect an object entering or exiting a specified proximity field, even if the object is not moving or is moving very slowly. However, beyond about 30–50 cm, even with good optical isolation, single-port signal processing may be required due to static reflections from nearby objects, such as tables, walls, etc. If motion detection is acceptable, the Si115x can achieve ranges of up to 50 cm, through a single product window.

For small objects, the drop in reflectance is as much as the fourth power of the distance. This means that there is less range ambiguity than with passive motion-based devices. For example, a sixteen fold change in an object's reflectance means only a fifty-percent drop in detection range.

The Si115x can drive up to three separate infrared LEDs. When the three infrared LEDs are placed in an L-shaped configuration, it is possible to triangulate an object within the three-dimensional proximity field. Thus, a touchless user interface can be implemented with the aid of host software.

The Si115x can initiate proximity sense measurements when explicitly commanded by the host or periodically through an autonomous process.

Whenever it is time to make a PS measurement, the Si115x makes up to six measurements, depending on what is enabled in the CHLIST parameter. Other ADC parameters for these measurements can also be modified to allow proper operation under different ambient light conditions.

The LED choice is programmable for each of these six measurements. Each measurement can select which combination of 3 LEDs are turned on and which of two LED current setting banks are used to set the LED currents. Optionally, each proximity measurement can be compared against a host-programmable threshold. With threshold settings for each PS channel, it is also possible for the Si115x to notify the host whenever the sample is larger/smaller than the threshold. In addition, a threshold window can be built by the host to trigger the interrupt whenever the sampler enters/exits the window. This reduces the number of interrupts to the host, aiding in efficient software algorithms.

The Si115x can also generate an interrupt after a complete set of proximity measurements, ignoring any threshold settings.

To support different power usage cases dynamically, the LED current of each output is independently programmable. The current can be programmed anywhere from 5.5 to 354 mA. (See [Table 8.8 Typical LED Current vs. LED Code on page 49.](#)) Therefore, the host can optimize for proximity detection performance or for power saving dynamically. This feature can be useful since it allows the host to reduce the LED current once an object has entered a proximity sphere, and the object can still be tracked at a lower current setting. Finally, the flexible current settings make it possible to control the infrared LED currents with a controlled current sink, resulting in higher precision. The ADC properties are programmable. For indoor operation, the ADC should be configured for low signal range for best reflectance sensitivity. When under high ambient conditions, the ADC should be configured for high signal level range operation.

When operating in the lower signal range, it is possible to saturate the ADC when the ambient light level is high. Any overflow condition is reported with a value of 0xFFFF for 16-bit mode and 0x7FFFFF for 24-bit mode. The host can then adjust the ADC sensitivity to avoid an overflow condition. If the light levels return to a range within the capabilities of the ADC, the corresponding data registers begin to operate normally.

The Si115x can be configured with three different sizes of proximity photodiode to enable the highest sensitivity without saturation.

Proximity detection ranges beyond 50 cm can be achieved with lensing and by selecting a longer integration time. The detection range may be increased further, even with high ambient light, by averaging multiple measurements.

The Si115x-AB09 version of the Si115x is designed with an on die 940 nm bandpass filter. It is designed to reject sunlight and to pass as much of the LED excitation energy as possible. 940 nm is selected as the operating wavelength since it corresponds to a dip in the energy of the solar spectrum.

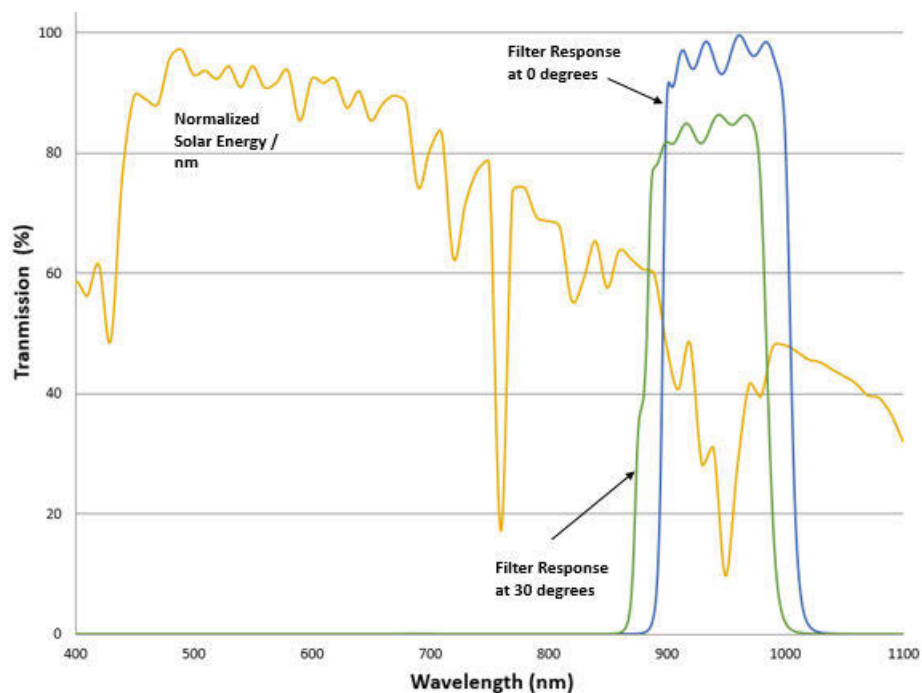


Figure 3.4. Typical Si115x-AB09 Filter Response Compared to the Sunlight Energy Spectrum

3.3 Power Consumption

The Si115x alternates between three power consumption states: Active, Suspend, and Sleep. (See the diagram below for an illustration of each of these states.) The total power consumed by the part depends heavily on the measurement rate, measurement mode, and measurement gain for the various channels enabled. The power levels for the three modes, as well as the Active Power time per reading, are provided in this document. The Suspend time (where the A/D and PD are operating) has two parts. One is determined by the user setup and can be determined by the DECIM_RATE and HW_GAIN setup information in Section 7.2 Channel Specific Setup Areas of the Parameter Table, while the other (A/D Startup time) is determined by tadstart, shown in Table 8.2 Electrical Performance Characteristics on page 43.

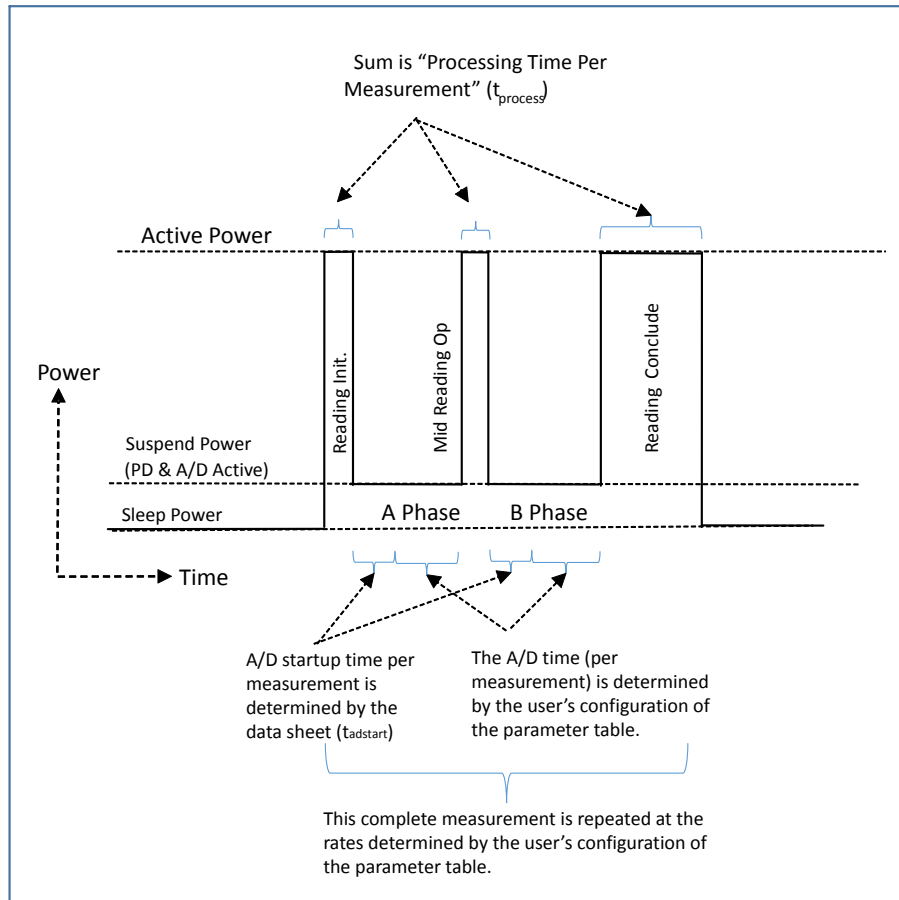


Figure 3.5. Power Consumption States During a Reading

Every A/D conversion has three periods:

- 155 μs at 4.5 mA (setup time by internal controller)
- 48.8 μs at 525 μA (setup time by A/D)
- 48.8 $\mu\text{s} * (2^{\text{HW_GAIN}[3:0]})$ at 525 μA (Actual A/D time that will vary with integration time)

3.4 Host Interface

The host interface to the Si115x consists of three pins:

- SCL
- SDA
- INT

SCL and SDA are standard open-drain pins as required for I²C operation. The Si115x asserts the INT pin to interrupt the host processor. The INT pin is an open-drain output. A pull-up resistor is needed for proper operation. As an open-drain output, it can be shared with other open-drain interrupt sources in the system.

For proper operation, the Si115x is expected to fully complete its Initialization Mode prior to any activity on the I²C.

The default I²C address of the Si115x can be changed by pulling the LED pin to ground. This changes the I²C address to 0x52 (the default value is 0x53).

The INT, SCL, and SDA pins are designed so that it is possible for the Si115x to enter the Off Mode by software command without interfering with normal operation of other I²C devices on the bus.

Conceptually, the I²C interface allows access to the Si115x internal registers.

An I²C write access always begins with a start (or restart) condition. The first byte after the start condition is the I²C address and a read-write bit. The second byte specifies the starting address of the Si115x internal register. Subsequent bytes are written to the Si115x internal register sequentially until a stop condition is encountered. An I²C write access with only two bytes is typically used to set up the Si115x internal address in preparation for an I²C read.

The I²C read access, like the I²C write access, begins with a start or restart condition. In an I²C read, the I²C master then continues to clock SCK to allow the Si115x to drive the I²C with the internal register contents. The Si115x also supports burst reads and burst writes. The burst read is useful in collecting contiguous, sequential registers. The Si115x register map was designed to optimize for burst reads for interrupt handlers, and the burst writes are designed to facilitate rapid programming of commonly used fields, such as thresholds registers.

The internal register address is a six-bit (bit 5 to bit 0) plus an Auto increment Disable (on bit 6). The Auto increment Disable is turned off by default. Disabling the auto incrementing feature allows the host to poll any single internal register repeatedly without having to keep updating the Si115x internal address every time the register is read.

It is recommended that the host should read performance measurements (in the I²C Register Map) when the Si115x asserts INT. Although the host can read any of the Si115x's I²C registers at any time, care must be taken when reading 2-byte measurements outside the context of an interrupt handler. The host could be reading part of the 2-byte measurement when the internal sequencer is updating that same measurement coincidentally. When this happens, the host could be reading a hybrid 2-byte quantity whose high byte and low byte are parts of different samples. If the host must read these 2-byte registers outside the context of an interrupt handler, the host should "double-check" a measurement if the measurement deviates significantly from a previous reading.

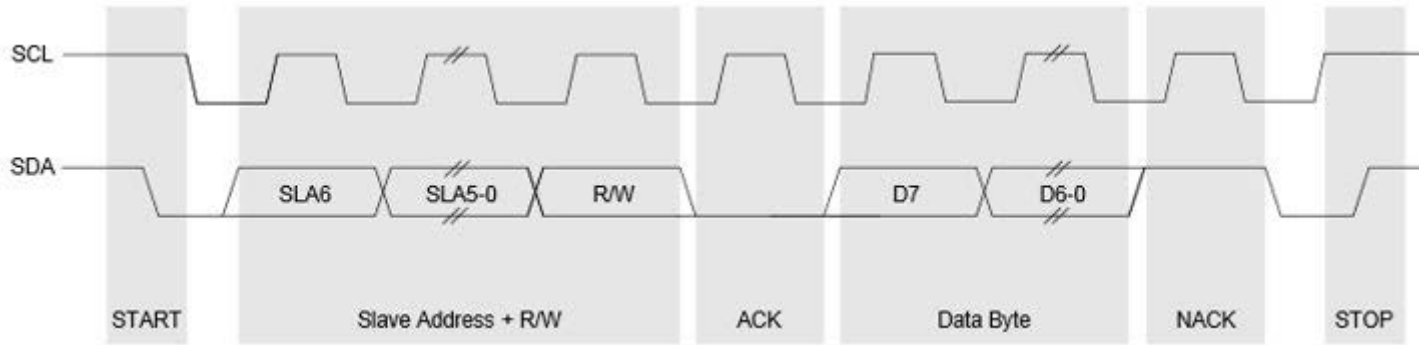


Figure 3.6. I²C Bit Timing Diagram

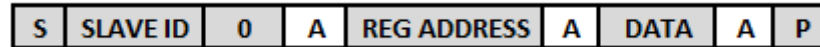


Figure 3.7. Host Interface Single Write

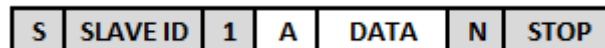


Figure 3.8. Host Interface Single Read

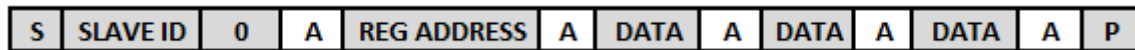


Figure 3.9. Host Interface Burst Write

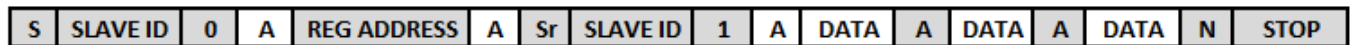


Figure 3.10. Host Interface Burst Read

7	6	5:0
0	AI	6 bit address 0x00 to 0x3F

Figure 3.11. Si115x REG ADDRESS Format

The following notes apply for the figures above:

1. Gray boxes are driven by the host to the Si115x.
2. White boxes are driven by the Si115x.
3. A = ACK or "acknowledge".
4. N = NACK or "no acknowledge".
5. S = START condition.
6. Sr = repeat START condition.
7. P = STOP condition.
8. AI = Disable Auto Increment when set.

4. Operational Modes

The Si115x can be in one of many operational modes at any time. It is important to consider the operation mode, since the mode has an impact on the overall power consumption of the Si115x. The various modes are:

- Off Mode
- Initialization Mode
- Standby Mode
- Forced Conversion Mode
- Autonomous Mode

4.1 Off Mode

The Si115x is in the Off Mode when V_{DD} is either not connected to a power supply or if the V_{DD} voltage is below the stated V_{DD_OFF} voltage described in the electrical specifications. As long as the parameters stated in [Table 8.7 Absolute Maximum Ratings on page 48](#) are not violated, no current will flow through the Si115x. In the Off Mode, the Si115x SCL and SDA pins do not interfere with other I²C devices on the bus. Ensure that none of the pins have a voltage larger than the voltage on the VDD pin. If V_{DD} is grounded, for example, then current flows from system power to system ground through the SCL, SDA, and INT pull-up resistors and the ESD protection devices. Allowing V_{DD} to be less than V_{DD_OFF} is intended to serve as a hardware method of resetting the Si115x without a dedicated reset pin.

The Si115x can also re-enter the Off Mode upon receipt of a software reset sequence. Upon entering Off Mode, the Si115x proceeds directly from the Off Mode to the Initialization Mode.

4.2 Initialization Mode

When power is applied to V_{DD} and is greater than the minimum V_{DD} Supply Voltage stated in the electrical specification table, the Si115x enters its Initialization Mode. In the Initialization Mode, the Si115x performs its initial startup sequence. Since the I²C may not yet be active, it is recommended that no I²C activity occur during this brief Initialization Mode period. The “Start-up time” specification in the electrical specification table is the minimum recommended time the host needs to wait before sending any I²C accesses following a power-up sequence. After Initialization Mode has completed, the Si115x enters Standby Mode. During the Initialization mode, the I²C address selection is made according to whether LED2 is pulled up or down.

4.3 Standby Mode

The Si115x spends most of its time in Standby Mode. After the Si115x completes the Initialization Mode sequence, it enters Standby Mode. While in Standby Mode, the Si115x does not perform any Ambient Light measurements or Proximity Detection functions. However, the I²C interface is active and ready to accept reads and writes to the Si115x registers. The internal Digital Sequence Controller is in its sleep state and does not draw much power. In addition, the INT output retains its state until it is cleared by the host.

I²C accesses do not necessarily cause the Si115x to exit the Standby Mode. For example, reading Si115x registers is accomplished without needing the Digital Sequence Controller to wake from its sleep state.

4.4 Forced Conversion Mode

The Si115x can operate in Forced Conversion Mode under the specific command of the host processor. The Forced Conversion Mode is entered when the FORCE command is sent. Upon completion of the conversion, the Si115x can generate an interrupt to the host if the corresponding interrupt is enabled. It is possible to initiate both a proximity and ALS measurement.

4.5 Automated Operation Mode

The Si115x can be placed in the Autonomous Operation Mode where measurements are performed automatically without requiring an explicit host command for every measurement. The START command is used to place the Si115x in the Autonomous Operation Mode.

The Si115x updates the I²C registers for proximity and ALS automatically. The host can also choose to be notified when these new measurements are available by enabling interrupts. The conversion frequency for autonomous operation is set up by the host prior to the START command.

The Si115x can also interrupt the host when the proximity or ALS measurement reach a pre-set threshold. For detailed threshold-based interrupt usage, see [Section 6.4 Interrupt Operation](#). To assist in the handling of interrupts the registers are arranged so that the interrupt handler can perform an I²C burst read operation to read the necessary registers, beginning with the interrupt status register, and cycle through the various output registers.

5. User to Sensor Communication

5.1 Basic I²C Operation

I²C operation is dependent on serial I²C reads and writes to an addressable bank of memory referred to as I²C space. The diagram below outlines the registers used, some functionality and the direction of data flow. The I²C address is initially fixed but can be programmed to a new value. This new value is volatile and reverts to the old value on hardware or software reset. Only 7-bit I²C addressing is supported; 10-bit I²C addressing is not supported. The Si115x responds to the I²C address of 0x53 or to an alternate address of 0x52.

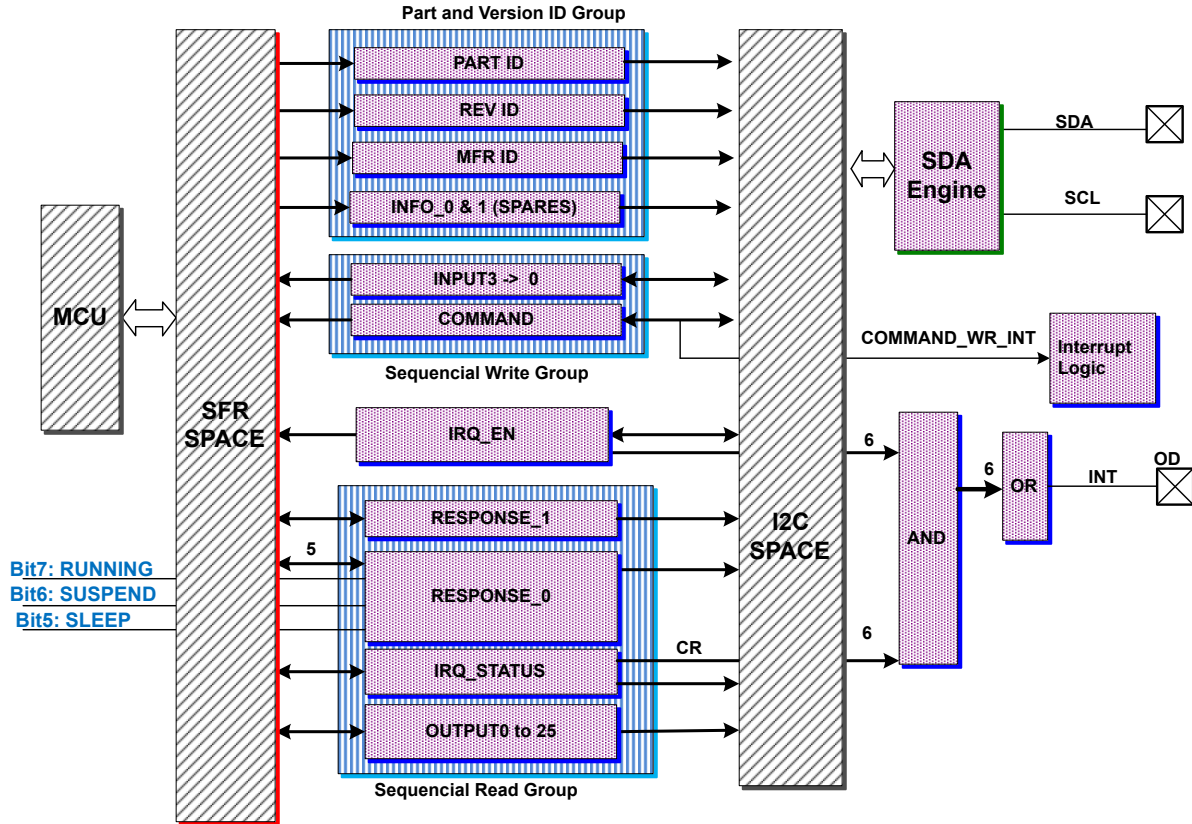


Figure 5.1. I²C Interface Block Diagram

5.2 Relationship Between I²C Registers and Parameter Table

Note that most of the Si115x configuration is accomplished through 'Parameters'. The Si115x has an internal MCU with SRAM. The Parameters are stored in the Si115x Internal MCU SRAM. The I²C Registers can be viewed as mailbox registers that form an interface between the host and the internal MCU. The figure below shows the relationship between some of the key interface registers to the internal Parameters managed by the internal MCU.

- The I²C registers are directly accessible by the host.
- The parameter table is:
 - Accessible indirectly via the command register (and others).
 - Used during setup to fix the operating modes of the Si115x.
 - 0x2C bytes long and is read and written indirectly, one byte at a time, via the command register.

The data stored in the parameter table is volatile and is lost when the part is powered down or software reset command is sent to the part via the I²C part.

I2C Registers Directly Accessible by Host

Register Name	I2C Address	Direction WRT Host
PART_ID	0	IN
REV_ID	1	IN
MFR_ID	2	IN
INFO0	3	IN
INFO1	4	IN
HOSTIN3	7	IN/OUT
HOSTIN2	8	IN/OUT
HOSTIN1	9	IN/OUT
HOSTIN0	0A	IN/OUT
COMMAND	0B	IN/OUT
IRQ_ENABLE	0F	IN/OUT
RESPONSE1	10	IN
RESPONSE0	11	IN
IRQ_STATUS	12	IN
HOSTOUT0	13	IN
HOSTOUT1	14	IN
HOSTOUT2	15	IN
HOSTOUT3	16	IN
HOSTOUT4	17	IN
HOSTOUT5	18	IN
HOSTOUT6	19	IN
HOSTOUT7	1A	IN
HOSTOUT8	1B	IN
HOSTOUT9	1C	IN
HOSTOUT10	1D	IN
HOSTOUT11	1E	IN
HOSTOUT12	1F	IN
HOSTOUT13	20	IN
HOSTOUT14	21	IN
HOSTOUT15	22	IN
HOSTOUT16	23	IN
HOSTOUT17	24	IN
HOSTOUT18	25	IN
HOSTOUT19	26	IN
HOSTOUT20	27	IN
HOSTOUT21	28	IN
HOSTOUT22	29	IN
HOSTOUT23	2A	IN
HOSTOUT24	2B	IN
HOSTOUT25	2C	IN

Fields used to write to Parameter Table

Sensor Parameter Table. Indirectly Accessible by Host

Parameter Address	NAME
0x00	I2C_ADDR
0x01	CHAN_LIST
0x02	ADCCONFIG0
0x03	ADCSSENS0
0x04	ADCPOST0
0x05	MEASCONFIG0
0x06	ADCCONFIG1
0x07	ADCSSENS1
0x08	ADCPOST1
0x09	MEASCONFIG1
0x0A	ADCCONFIG2
0x0B	ADCSSENS2
0x0C	ADCPOST2
0x0D	MEASCONFIG2
0x0E	ADCCONFIG3
0x0F	ADCSSENS3
0x10	ADCPOST3
0x11	MEASCONFIG3
0x12	ADCCONFIG4
0x13	ADCSSENS4
0x14	ADCPOST4
0x15	MEASCONFIG4
0x16	ADCCONFIG5
0x17	ADCSSENS5
0x18	ADCPOST5
0x19	MEASCONFIG5
0x1A	MEASRATE_H
0x1B	MEASRATE_L
0x1C	MEASCOUNT0
0x1D	MEASCOUNT1
0x1E	MEASCOUNT2
0x1F	LED1_A
0x20	LED1_B
0x21	LED3_A
0x22	LED3_B
0x23	LED2_A
0x24	LED2_B
0x25	THRESHOLD0_H
0x26	THRESHOLD0_L
0x27	THRESHOLD1_H
0x28	THRESHOLD1_L
0x29	UPPER_THRESHOLD_H
0x2A	UPPER_THRESHOLD_L
0x2B	BURST
0x2C	LOWER_THRESHOLD_H
0x2D	LOWER_THRESHOLD_L

Figure 5.2. Accessing Parameters through I²C Registers

5.3 I²C Command Register Operation

Writing the codes shown below in the command summary table signals the sensor to undertake one of several complex operations.

These operations take time and all commands should be followed by a read of the RESPONSE0 register to confirm the operation is complete by examining the counter and to check for an error in the error bit. The error bit is set in the RESPONSE0 register's command counter if there is an error in the previous command (e.g., attempt to write to an illegal address beyond the parameter table, or a channel and /or burst configuration that exceeds the size of the output field (26 bytes)). If there is no such error, then the counter portion of the command counter will be incremented.

The RESPONSE_0 register should be read after every command to determine completion and to check for an error. If an error is found, which should not happen except for a host SW bug, the host should clear the error with a RESET command or a RESET_CMD_CTR command.

One operating option is to do a RESET_CMD_CTR command before every command.

Two of the commands imply another I²C register contains an argument.

- STORE_NEW_I2C_ADDR command implies a new address has been loaded in the parameter table location I2CID PARAMETER.
- PARAM_SET command implies a byte has been stuffed into INPUT0 register.
- The three CHAN_LIST commands imply the CHAN_LIST location in the parameter table has been configured. A valid CHAN_LIST implies other configuration areas in the parameter table are correctly setup as well.

Two of the commands result in another I²C register containing return arguments (aside from incrementing RESPONSE0).

- PARAM_SET results in the write data being copied in to I2C RESPONSE1 register.
- PARAM_QUERY results in read data in the I2C RESPONSE1 register.

Table 5.1. Command Summary

Command Register Commands	Code	Input to Sensor	Output of Sensor
RESET_CMD_CTR Resets RESPONSE0 CMMND_CTR field to 0.	0x00	-----	-----
RESET_SW Forces a Reset, Resets RESPONSE0 CMMND_CTR field to 0xXXX01111.	0x01	-----	-----
FORCE Initiates a set of measurements specified in CHAN_LIST parameter. A FORCE command will only execute the measurements which do not have a meas counter index configured in MEASCONFIGx.	0x11	-----	-----
PAUSE Pauses autonomous measurements specified in CHAN_LIST.	0x12	-----	-----
START Starts autonomous measurements specified in CHAN_LIST. A START autonomous command will only start the measurements which has a counter index selected in MEASCONFIGx.	0x13	-----	-----
PARAM_QUERY Reads Parameter xxxxxx and store results in RESPONSE1.xxxxxx is a 6 bit Address Field (64 bytes).	0b01xxxxxx		RESPONSE1 = result
PARAM_SET Writes INPUT0 to the Parameter xxxxxx.xxxxxx is a 6 bit Address Field (64 bytes).	0b10xxxxxx	INPUT0	RESPONSE1 = INPUT0
Notes: <ol style="list-style-type: none"> 1. The successful completion of all commands except RESET_CMD_CTR and RESET_SW causes an increment of the CMD_CTR field of the RESPONSE0 register (bits [3:0]). 2. Resets RESPONSE0 CMMND_CTR field to 0. 3. Forces a Reset, Resets RESPONSE0 CMMND_CTR field to 0xXXX01111. 4. Uses CHAN_LIST in Parameter Space. 5. "xxxxxx" is a 6-bit Address Field (64 bytes). 			

5.3.1 Accessing the Parameter Table (PARAM_QUERY & PARAM_SET Commands)

The parameter table is written to by writing the INPUT_0 I2C register and the PARAM_SET command byte to the Command I²C register. The format of the PARAM_SET word is such that the 6 LSBits contain the location of the target byte in the parameter table.

Example: To transfer 0xA5 to parameter table location 0b010101.

Read RESPONSE0 (address 0x11) and store the CMMND_CTR field.

Write 0xA5 to INPUT0 (address 0x0A).

Write 0b10010101 to COMMAND (address 0x0B).

Read RESPONSE0 (address 0x11) and check if the CMMND_CTR field incremented.

If there is no increment or error, repeat the “read the RESPONSE0” step until the CMMND_CTR has incremented. If there is an error send a RESET or a RESET_CMD_CTR command.

The two write commands (to INPUT0 and COMMAND) can be in the same I²C transaction.

Example: To read data from the parameter table location 0b010101.

Read the RESPONSE0 (address 0x11) and store the CMMND_CTR field.

Write 0b01010101 to the COMMAND (address 0x0B).

Read RESPONSE0 (address 0x11) and check if the CMMND_CTR field incremented.

If there is no increment or error, repeat the “read RESPONSE0” step until the CMMND_CTR has incremented.

Read RESPONSE1 (address 0x10) this gives the read result. If there is an error send RESET or a RESET_CMD_CTR command.

The last two read commands (from RESPONSE0 and RESPONSE1) should not be in the same I²C transaction.

5.3.2 Sensor Operation Initiation Commands

The FORCE, PAUSE, and START commands make use of the information in CHAN_LIST. Configure CHAN_LIST prior to using any of these commands.

5.3.3 RESET_CMD_CTR Command

Resets RESPONSE0 CMMND_CTR field and does nothing else.

5.3.4 RESET Command

Resets the sensor and puts it into the same state as when powering up. The parameter table and all I²C registers are reset to their default values.

5.4 I²C Register Summary

The content of the three MSBits of Response0 after reset will depend on the running state (see the Response0 write up).

Table 5.2. I²C Registers

Register Name	I2C Address	Direction WRT Host	Function	Value after Reset (Hard or Soft)	Direction WRT Sensor
PART_ID	0x00	IN	Returns DEVID (0x51 for the Si1151, 0x52 for the Si1152, 0x53 for the Si1153)	PART_ID	OUT
HW_ID	0x01	IN	Returns Hardware ID.	HW_ID	OUT
REV_ID	0x02	IN	Hardware Rev (0xMN).	REV_ID	OUT
HOSTIN0	0x0A	IN/OUT	Data for parameter table on PARAM_SET write to COMMAND register.	0x00	IN
COMMAND	0x0B	IN/OUT	Initiated action in Sensor when specific codes written here.	0x00	IN
IRQENABLE	0x0F	IN/OUT	The six least significant bits enable Interrupt Operation.	0x00	IN
RESPONSE1	0x10	IN	Contains the read-back value from a param query or a param set command.	0x00	IN/OUT
RESPONSE0	0x11	IN	The 5 th MSB of the counter is an error indicator, with the 4 LSBits indicating the error code when the MSB is set.	0XXXXX1111	IN/OUT
IRQ_STATUS	0x12	IN	The six least significant bits show the interrupt status.	0x00	IN/OUT
HOSTOUT0 to HOSTOUT25	0x13 to 0x2C	IN	Captured Sensor Data.	0x00	IN/OUT

5.4.1 PART_ID

I2C Address = 0x00;

Contains Part ID, e.g., 0x53 for Si115x.

5.4.2 HW_ID

I2C Address = 0x01;

Contains the Hardware information.

BITS4:0 = Filter, LED & Module code

BITS7:5 = Silicon HW rev (Steps with silicon mask change)

Part Number	Features	BITS4:0 code
Si1151-AB00	1 LED driver	0x03
Si1151-AB09	940 nm filter with 1 LED driver	0x04
Si1152-AB00	2 LED drivers	0x05
Si1152-AB09	940 nm filter with 2 LED drivers	0x06
Si1153-AB00	3 LED drivers	0x00
Si1153-AB09	940 nm filter	0x01
Si1153-ABX9	Module with 940 nm filter & LED	0x02

5.4.3 REV_ID

I2C Address = 0x02;

Contains the product revision, in a 0xMN format where “M” is the major rev and “N” the minor rev.

Table 5.3.

Part Number	Major Revision	Minor Revision	REV_ID
Si115x-AAxx	1	0	0x10
Si115x-ABxx	1	1	0x11

5.4.4 INFO0

I2C Address = 3;

Contains 0 after a hard reset or a RESET Command.

5.4.5 INFO1

I2C Address = 4;

Contains 0 after a hard reset or a RESET Command.

5.4.6 HOSTIN0

Name	I2C Address
HOSTIN0	0x0A

Bit	7	6	5	4	3	2	1	0
Name	HOSTIN0							
Type	R/W							
Reset	0							

Bit	Name	Function
7:0	HOSTIN0	This Register is the Input to the Sensor and Output of the Host.

Contain 0 after a hard reset or a RESET Command.

5.4.7 COMMAND

I2C Address = 0x0B;

Contains 0 after a hard reset or a RESET Command.

5.4.8 IRQENABLE

I2C Address = 0x0F;

Contains 0 after a hard reset or a RESET Command.

5.4.9 RESPONSE1

I2C Address = 0x10;

Bit	7	6	5	4	3	2	1	0
Name	RESPONSE1[7:0]							
Type	R							
Reset	0	0	0	0	0	0	0	0

Bit	Name	Function
7:0	RESPONSE1[7:0]	The sensor mirrors the data byte written to the parameter table here for the user to verify the write was successful. A parameter read command results in the byte read being available here for the host.

5.4.10 RESPONSE0**I2C Address = 0x11;**

Bit	7	6	5	4	3	2	1	0
Name	RUNNING	SUSPEND	SLEEP	CMD_ERR	CMD_CTR[4:0]			
Type	R	R	R	R	R	R	R	R
Reset	N/A	N/A	N/A	0	1	1	1	1

Bit	Name	Function		
7	RUNNING	Indicator of MCU state.		
6	SUSPEND	Indicator of MCU state.		
5	SLEEP	Indicator of MCU state.		
4	CMD_ERR	It is cleared by a hardware reset (power up) or a RESET command or a RESET_CMD_CTR. It is set by a bad command. E.g., an attempt to write beyond the parameter table. If it is set, the CMMND_CTR field is the error code.		
3:0	CMMND_CTR	IF CMD_ERR = 0	A counter that increments on every GOOD command (successful I ² C Command Register write and sensor execution of the command).	
			It is reset to 0 by the RESET_CMD_CTR command.	
		IF CMD_ERR = 1	It is set to 0b1111 on Power Up or a RESET command. This is how a user can detect a fresh SW reset or a power up event.	
			Code	Meaning
			0x10	Invalid command.
			0x11	Parameter access to an invalid location.
0x12	Saturation of the ADC or overflow of accumulation.			
0x13	Output buffer overflow—this can happen when Burst mode is enabled and configured for greater than 26 bytes of output.			

The RESPONSE0 register will show “RUNNING” immediately after reset and then “SLEEP” after initialization is complete.

5.4.11 IRQ_STATUS

I2C Address = 0x12;

Bit	7	6	5	4	3	2	1	0
Name	—		IRQ5	IRQ4	IRQ3	IRQ2	IRQ1	IRQ0
Type	RSVD		CR	CR	CR	CR	CR	CR
Reset			0	0	0	0	0	0

Bit	Name	Function
7:6	UNUSED	Unused. Read = 00b; Write = Don't Care.
5	IRQ5	Enables an IRQ for channel 5 result being ready.
4	IRQ4	Enables an IRQ for channel 4 result being ready.
3	IRQ3	Enables an IRQ for channel 3 result being ready.
2	IRQ2	Enables an IRQ for channel 2 result being ready.
1	IRQ1	Enables an IRQ for channel 1 result being ready.
0	IRQ0	Enables an IRQ for channel 0 result being ready.

5.4.12 HOSTOUTx

This section covers the twenty-six I2C Host Output Registers. These registers are the output of the sensor and input to the host.

Name	I2C Address
HOSTOUT0	0x13
to	to
HOSTOUT25	0x2C

Bit	7	6	5	4	3	2	1	0
Name	HOSTOUTx							
Type	R							
Reset	0	0	0	0	0	0	0	0

Bit	Name	Function
7:0	HOSTOUTx	<p>These registers are the output of the MCU and input to the host. The results of the CHAN_LIST enabled “active channel” readings are located sequentially in this table. Each channel may use 2 or 3 bytes depending on the setup.</p> <p>The validity of the various channel outputs located in this table is determined by other factors. Data is valid when an IRQ status says that it is and remains valid until another reading happens. This is why it is imperative to service the interrupt before the next measurement cycle begins (Autonomous Mode), unless forced mode is used.</p>

6. Measurement: Principle of Operation

Operation is based on the concept of channels. Channels are essentially tasks that have been setup by the user.

To setup these channels, the channel specific areas of the parameter table need to be loaded with the correct information as well as the global area of this table.

The channels' specific areas are described below, including:

- ADC gain
- The photodiode selected
- The counter selected to time
- How often to make a measurement
- The format of the output (16 vs. 24 bits)
- And other areas

The global area includes global information that affects all tasks, such as:

- The list of channels that are enabled.
- The setup of the two counters that can be used by the channels.
- The two light thresholds that can be selected from by the channels.
- The setup of the threshold window that can be used by the channels.

The list of channels, `CHAN_LIST`, in the global area determines what operations are run and how the results are packed in the output fields.

The packing of the result data in the output fields is totally determined by the enabled channels as they are packed sequentially from the lowest enabled channel to the highest in the output field (I2C space- `HOSTOUT0` to `HOSTOUT25`). The amount of space used by each channel is determined by the 16 vs. 24 bit selection made in the channel setup.

Although space in the output buffer is reserved by the `CHAN_LIST`, the data validity is determined by the `IRQ_STATUS` register in Autonomous Mode and by elapsed time in Forced Mode. In Burst Mode, a subset of Autonomous Mode, all the expected data is valid.

6.1 Output Field Utilization

In all modes, the `CHAN_LIST` configuration determines how the data is stacked in the 26 byte output field. It is done on a first-come first-served basis, with the enabled lower channels taking up the lower addresses. When burst is enabled, the channel arrangement is just repeated to higher and higher addresses. See the example below.

Global Section of Parameter Table			Channel Specific Section of Parameter Table
CHAN_LIST			Output mode
0	Bit 0	Chan 0	16
1	Bit 1	Chan 1	24
0	Bit 2	Chan 2	16
1	Bit 3	Chan 3	16
1	Bit 4	Chan 4	24
1	Bit 5	Chan 5	16
X	Bit 6	X	X
X	Bit 7	X	X

I2C Register	I2C Address	Content
HOSTOUT0	13	Channel 1 Result: Most Significant Byte
HOSTOUT1	14	Channel 1 Result: Middle Significant Byte
HOSTOUT2	15	Channel 1 Result: Least Significant Byte
HOSTOUT3	16	Channel 3 Result: Most Significant Byte
HOSTOUT4	17	Channel 3 Result: Least Significant Byte
HOSTOUT5	13	Channel 4 Result: Most Significant Byte
HOSTOUT6	14	Channel 4 Result: Middle Significant Byte
HOSTOUT7	1A	Channel 4 Result: Least Significant Byte
HOSTOUT8	1B	Channel 5 Result: Most Significant Byte
HOSTOUT9	1C	Channel 5 Result: Least Significant Byte
HOSTOUT10	1D	Unused
HOSTOUT11	1E	Unused
HOSTOUT12	1F	Unused
HOSTOUT13	20	Unused
HOSTOUT14	21	Unused
HOSTOUT15	22	Unused
HOSTOUT16	23	Unused
HOSTOUT17	24	Unused
HOSTOUT18	25	Unused
HOSTOUT19	26	Unused
HOSTOUT20	27	Unused
HOSTOUT21	28	Unused
HOSTOUT22	29	Unused
HOSTOUT23	2A	Unused
HOSTOUT24	2B	Unused
HOSTOUT25	2C	Unused

Packing of these four channels in the output table is determined by the four enabled channels in the CHANNEL list above. This is independent of the IRQ_ENABLE and IRQ_STATUS

Figure 6.1. Output Table Data Packing

6.2 Autonomous and Forced Modes

In Autonomous Mode, the user uses the timer fields in both the global and channels specific areas in order to set up the timing for repeated measurements. The user then sends the command to start these autonomous measurements repeatedly. When each channel's timer is tripped, the measurement for that channel is started. When the channel measurement completes, it is signaled by the IRQ_STATUS bits and by an interrupt (if the interrupt is enabled). After that signal, the sensor restarts the channel timer and waits for it to trip and signal the next measurement. The host must read the data before the next reading is generated, or risk losing the reading or getting garbage data to sample smearing (reading data in the midst of it changing).

In Forced Mode, all measurements enabled in the CHAN_LIST start as a result of a FORCE command and are only done once. If there are multiple channels enabled, then the measurements are done back-to-back starting with the lower number channel. The completion signaling is the same as for autonomous, the IRQ_STATUS and interrupt if it is enabled. The logical difference is that all the enabled channels are always shown as simultaneously ready in the IRQ_STATUS, whereas in Autonomous Mode this is not true. FORCE command only works on measurements which do not have a measurement counter selected in MEASCONFIGx.

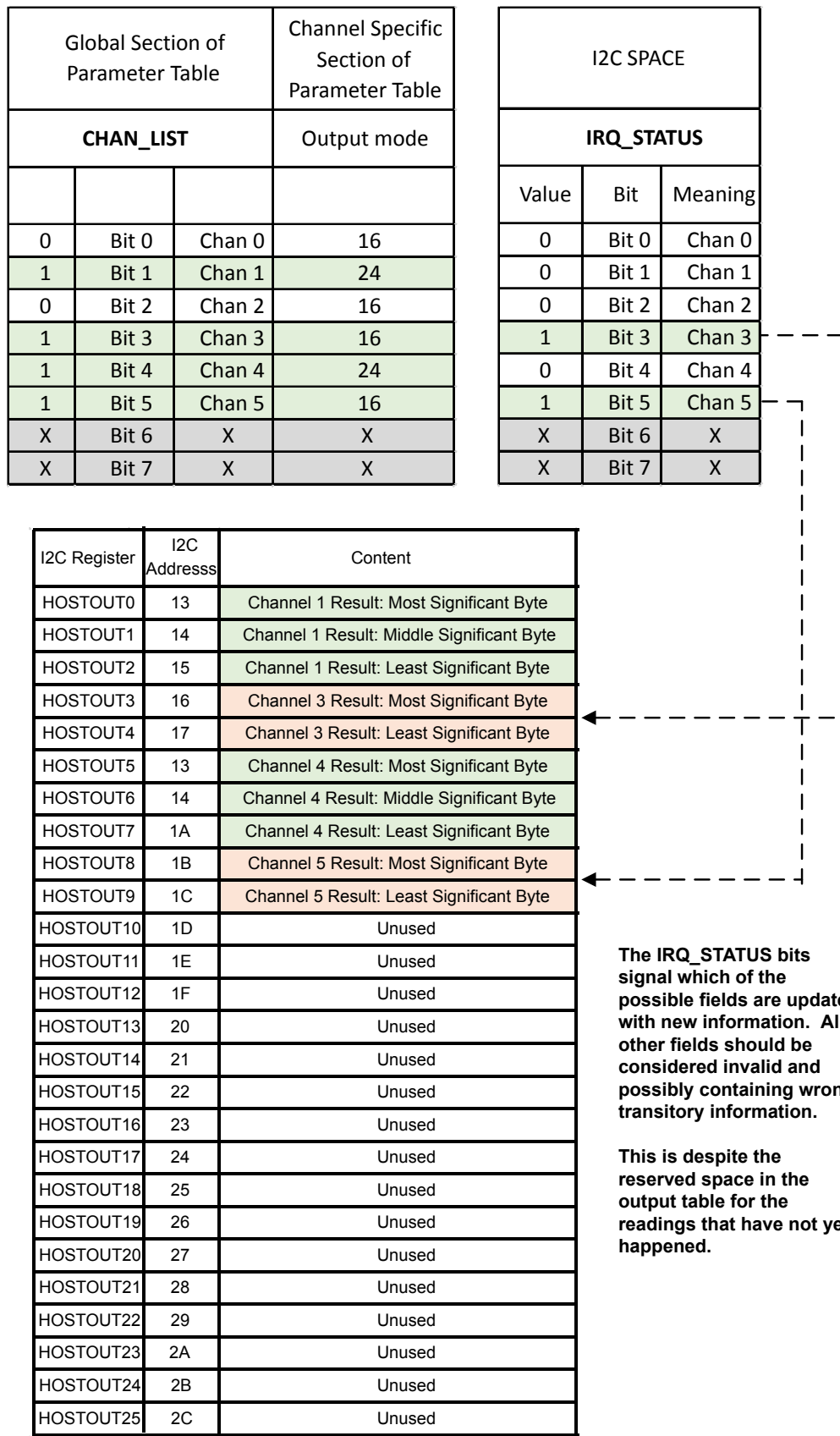


Figure 6.2. IRQ_STATUS Shows Which Output Fields Have Valid Data

6.3 Burst Mode

Burst Mode is always used in Autonomous Mode.

The Burst Mode is enabled by the BURST register's bit 7. The burst register is in the global area of the parameter table. Bits 6:0 of the register define the number of readings to be made.

All channels set up in the CHAN_LIST operate in this mode and they operate in unison governed by the MEASRATE register in the parameter table. The individual channel MEASCONFIGx.COUNTER_INDEX [1:0] value is ignored.

The burst is started by the START command and may be paused by the PAUSE command. All measurements enabled in the CHAN_LIST are done as a quick set then repeated after the delay determined by the MEASRATE register. The number of repeats are set by the BURST register.

The measurements called for by the enabled channels are done without an intervening delay, starting with the lower number channel and ending with the highest channel number.

The burst will proceed until it is complete or until the output buffer is full, after which an interrupt may be generated if enabled and the IRQ_STATUS bit(s) associated with all the channels in the CHAN_LIST will be set. The user has the time period until the next set of reads are finished to read back the data in the output field.

The output data will be stacked in the 26 bytes output data field and will be sequential. For example, if the CHAN_LIST enables channels X, Y, and Z, then the data will be found in the output buffer as multiple sets: X1, Y1, Z1, X2, Y2, Z2... The fields X, Y, and Z are packed efficiently and are not necessarily the same length since they can be a mix of 16 and 24 bit values.

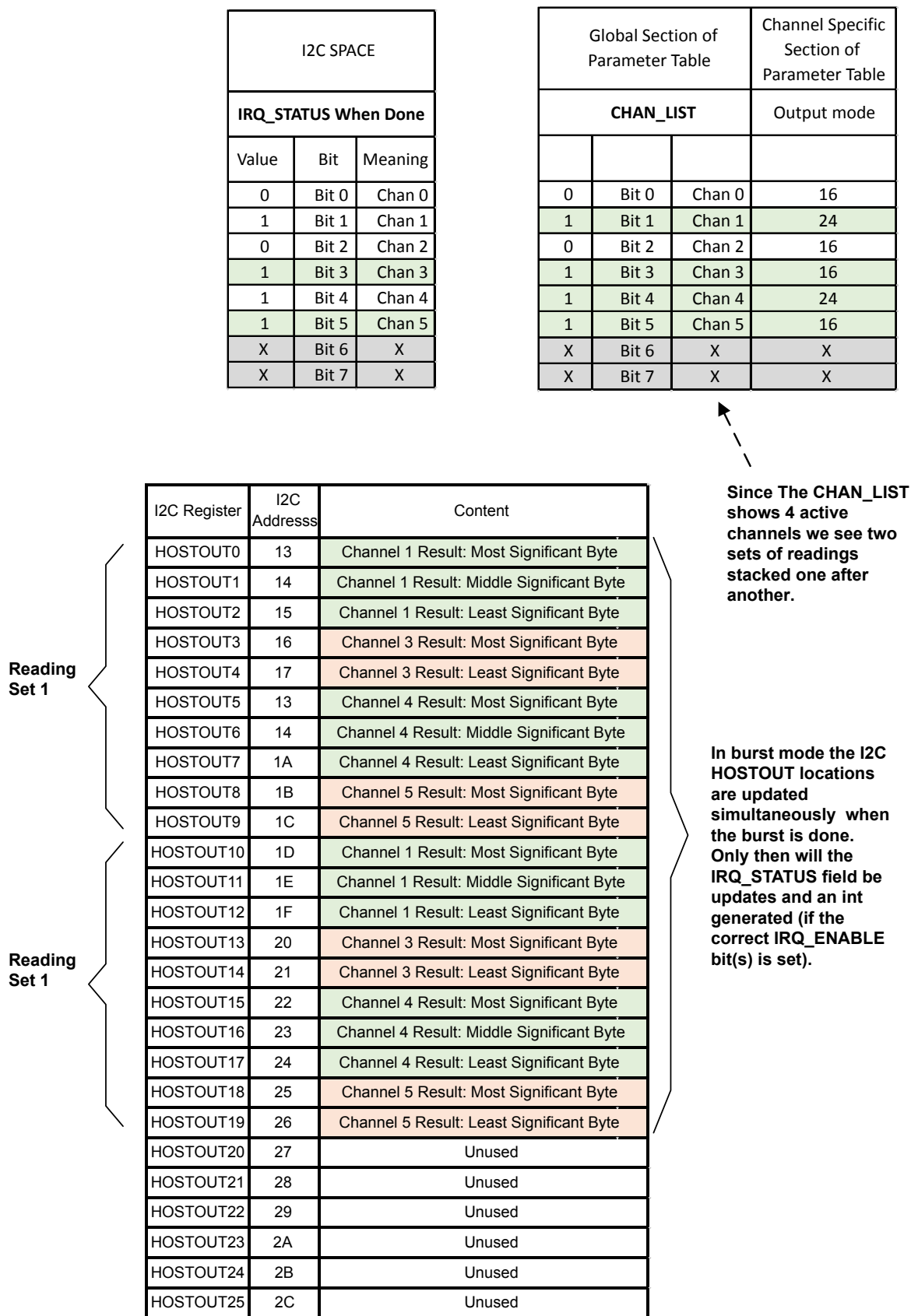


Figure 6.3. Burst Mode Example of Two Sets of Readings

6.4 Interrupt Operation

The INT output pin is asserted by the sensor when an enabled channel in the CHAN_LIST (which has the corresponding bit in the RESET register) has finished. In Burst Mode, the interrupt is delayed until the number of readings is reached or the buffer is full.

When the host reads the IRQ_STATUS register to learn which source generated the interrupt, the IRQ_STATUS register is cleared automatically.

The most efficient method of extracting measurements from the Si115x is an I²C Burst Read beginning at the IRQ_STATUS register.

The Si115x supports three different interrupt modes:

- Mode 1: Interrupt on every sample.
- Mode 2: Interrupt whenever the sample is larger/smaller than a set threshold.
- Mode 3: Interrupt whenever the sample enters/exits the set threshold window.

Here are the instructions on how the host should configure the sensor to operate with different interrupt modes for each channel.

- Mode 1: Set THRESH_EN field in ADCPOSTx registers to 0.
- Mode 2: Set THRESH_EN field in ADCPOSTx registers to 1 or 2. Set THRESHOLD0 or THRESHOLD1 registers to the value of the interrupt level. Use THRESH_POL bit in ADCPOSTx registers to control the polarity.
- Mode 3: Set THRESH_EN field in ADCPOSTx registers to 3. Set UPPER_THRESHOLD and LOWER_THRESHOLD registers to the value of the threshold window's upper and lower bound. Use THRESH_POL bit in ADCPOSTx registers to control the polarity.

Note: The threshold based interrupt is only available in 16-bit output mode. Do NOT set 24-bit mode when using the threshold

6.5 Timing of Channel Measurements

The timing of measurements has two aspects:

1. The length of time to take a measurement.
2. How frequently the measurement is taken.

The amount of time to take the measurement is controlled by factors like HW_GAIN (which is really the integration time), SW_GAIN, and the decimation rate setting.

Note: Each measurement is composed of two measurement times.

In an ALS measurement, two measurements are always taken and added together. In a proximity measurement, two measurements are always taken, one without the LED light and one with the LED light. The difference is then created by subtraction. See the timing diagram below for an example of ALS and proximity measurement timing.

Global Parameter Table's
Timing Parameters

MEASRATE_H = 0
MEASRATE_L = 1
MEASCOUNT1 = 5
MEASCOUNT2 = 10
MEASCOUNT3 = X

MEASRATE is 1 for a base period of 800 us

MEASCONFIG1.COUNTER_INDEX[1:0] selects MEASCOUNT1 which is 5. This makes Chan1 meas. period equal to 4ms

MEASCONFIG3.COUNTER_INDEX[1:0] selects MEASCOUNT2 which is 10. This makes Chan3 meas. period equal to 8 ms

CHANNEL 1 Setup

	7	6	5	4	3	2	1	0
ADCCONFIGx	RSRVD	DECIM_RATE[1:0] = 0	ADCMUX[4:0]					
ADCSENSx	HSIG	SW_GAIN[2:0] = 0			HW_GAIN[3:0] = 2			
ADCPSTx	RSRVD	24BIT_OUT	POSTSHIFT[2:0]		THRESH_POL	THRESH_SEL[1:0]		
MEASCONFIGx	COUNTER_INDEX[1:0] = 1		LED_TRIM[1:0]	BANK_SEL	LED2 En.	LED3 En.	LED1 En.	

CHANNEL 3 Setup

	7	6	5	4	3	2	1	0
ADCCONFIGx	RSRVD	DECIM_RATE[1:0] = 0	ADCMUX[4:0]					
ADCSENSx	HSIG	SW_GAIN[2:0] = 0			HW_GAIN[3:0] = 3			
ADCPSTx	RSRVD	24BIT_OUT	POSTSHIFT[2:0]		THRESH_POL	THRESH_SEL[1:0]		
MEASCONFIGx	COUNTER_INDEX[1:0] = 2		LED_TRIM[1:0]	BANK_SEL	LED2 En.	LED3 En.	LED1 En.	

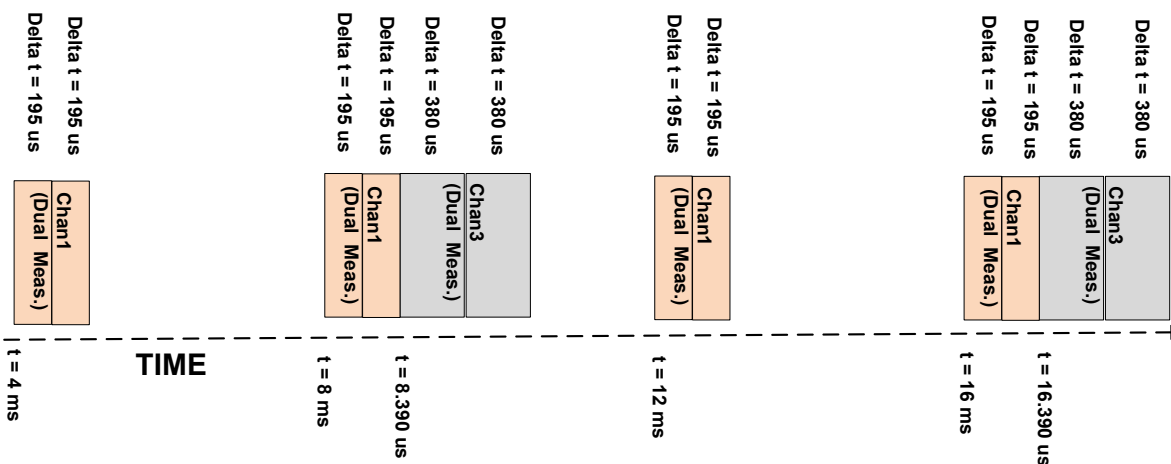


Figure 6.4. Example of Measurement Timing

7. Parameter Table

Table 7.1. Parameter Table

Address	Name	Description	
0x00	I2C_ADDR	I2C Address (Temp)	Global Area: Affects all Channels
0x01	CHAN_LIST	Channel List	
0x02	ADCCONFIG0	Channel 0 Setup	Channel Areas: Specific Channel Setup
0x03	ADCSENS0		
0x04	ADCPOST0		
0x05	MEASCONFIG0		
0x06	ADCCONFIG1		
0x07	ADCSENS1	Channel 1 Setup	
0x08	ADCPOST1		
0x09	MEASCONFIG1		
0x0A	ADCCONFIG2		
0x0B	ADCSENS2	Channel 2 Setup	
0x0C	ADCPOST2		
0x0D	MEASCONFIG2		
0x0E	ADCCONFIG3		
0x0F	ADCSENS3	Channel 3 Setup	
0x10	ADCPOST3		
0x11	MEASCONFIG3		
0x12	ADCCONFIG4		
0x13	ADCSENS4	Channel 4 Setup	
0x14	ADCPOST4		
0x15	MEASCONFIG4		
0x16	ADCCONFIG5		
0x17	ADCSENS5	Channel 5 Setup	
0x18	ADCPOST5		
0x19	MEASCONFIG5		

Address	Name	Description	
0x1A	MEASRATE_H	MEASURE RATE	Global Area: Affects all Channels
0x1B	MEASRATE_L		
0x1C	MEASCOUNT0	MEASCOUNT	
0x1D	MEASCOUNT1		
0x1E	MEASCOUNT2		
0x25	THRESHOLD0_H	THRESHOLD SETUP	
0x26	THRESHOLD0_L		
0x27	THRESHOLD1_H		
0x28	THRESHOLD1_L		
0x29	UPPER_THRESH- OLD_H	THRESHOLD WINDOW SETUP	
0x2A	UPPER_THRESH- OLD_L		
0x2C	LOWER_THRESH- OLD_H		
0x2D	LOWER_THRESH- OLD_L		
0x2B	BURST	BURST	

7.1 Global Area of the Parameter Table

The Global Area represents resources that are shared among the six channels. See the next section for specific channel properties, and for channel-specific parameter setup.

Table 7.2. Global Area of the Parameter Table

Parameter	Parameter Address	Description		
MEASRATE[1]	0x1A	MEASRATE[15:8]	Main Measurement Rate Counter	Governs how much time between measurement groups. One count represents an 800 μ s time period. MEASRATE must be set less than 625(0.5s).
MEASRATE[0]	0x1B	MEASRATE[7:0]		
MEASCOUNT0	0x1C	MEASCOUNT0[7:0]	Three Measurement Rate extension counters available for setting the rate.	Each of 6 channel setups selected which of these counters to use via the MEASCONFIG::COUNTER_INDEX[1:0] bits:
MEASCOUNT1	0x1D	MEASCOUNT1[7:0]		
MEASCOUNT2	0x1E	MEASCOUNT2[7:0]		
THRESHOLD0[1]	0x25	THRESHOLD0[15:8]	THRESHOLD0	One of these two (or none) is chosen by ADCPOSTx::THRESH_EN
THRESHOLD0[0]	0x26	THRESHOLD0[7:0]		
THRESHOLD1[1]	0x27	THRESHOLD1[15:8]	THRESHOLD1	
THRESHOLD1[0]	0x28	THRESHOLD1[7:0]		
UPPER_THRESHOLD[1]	0x29	UPPER_THRESHOLD[15:8]	UPPER_THRESHOLD	Upper threshold setup for window shape interrupt mode when ADCPOSTx.THRESH_EN[1:0] is set to 3.
UPPER_THRESHOLD[0]	0x2A	UPPER_THRESHOLD[7:0]		
LOWER_THRESHOLD[1]	0x2C	LOWER_THRESHOLD[15:8]	LOWER_THRESHOLD	Lower threshold setup for window shape interrupt mode when ADCPOSTx.THRESH_EN[1:0] is set to 3.
LOWER_THRESHOLD[0]	0x2D	LOWER_THRESHOLD[7:0]		
BURST	0x2B	BURST[7:0]		Bit 7 is Burst Enable while BURST_COUNT[6:0] are the count
CHAN_LIST	0x01	CHAN_LIST[5:0]		The six least significant bits enable the 6 possible channels.

7.2 Channel Specific Setup Areas of the Parameter Table

Below is the summary of the four-byte channel-specific area in the parameter table. There are six copies in the table corresponding to up to six tasks/channels assigned to the sensor. They are located between addresses 0x02 and 0x18 hex.

Table 7.3. Channel Specific Setup Areas of the Parameter Table

	7	6	5	4	3	2	1	0
ADCCONFIGx	RSRVD	DECIM_RATE[1:0]		ADCMUX[4:0]				
ADCSENSx	HSIG	SW_GAIN[2:0]			HW_GAIN[3:0]			
ADCPOSTx	RSRVD	24BIT_OUT	POSTSHIFT[2:0]			THRESH_P OL	THRESH_EN[1:0]	
MEASCONFIGx	COUNTER_INDEX[1:0]		LED_TRIM[1:0]	BANK_SEL	LED2 En.	LED3 En.	LED1 En.	

The following figure illustrates how to use the channel-specific registers in the parameter table above.

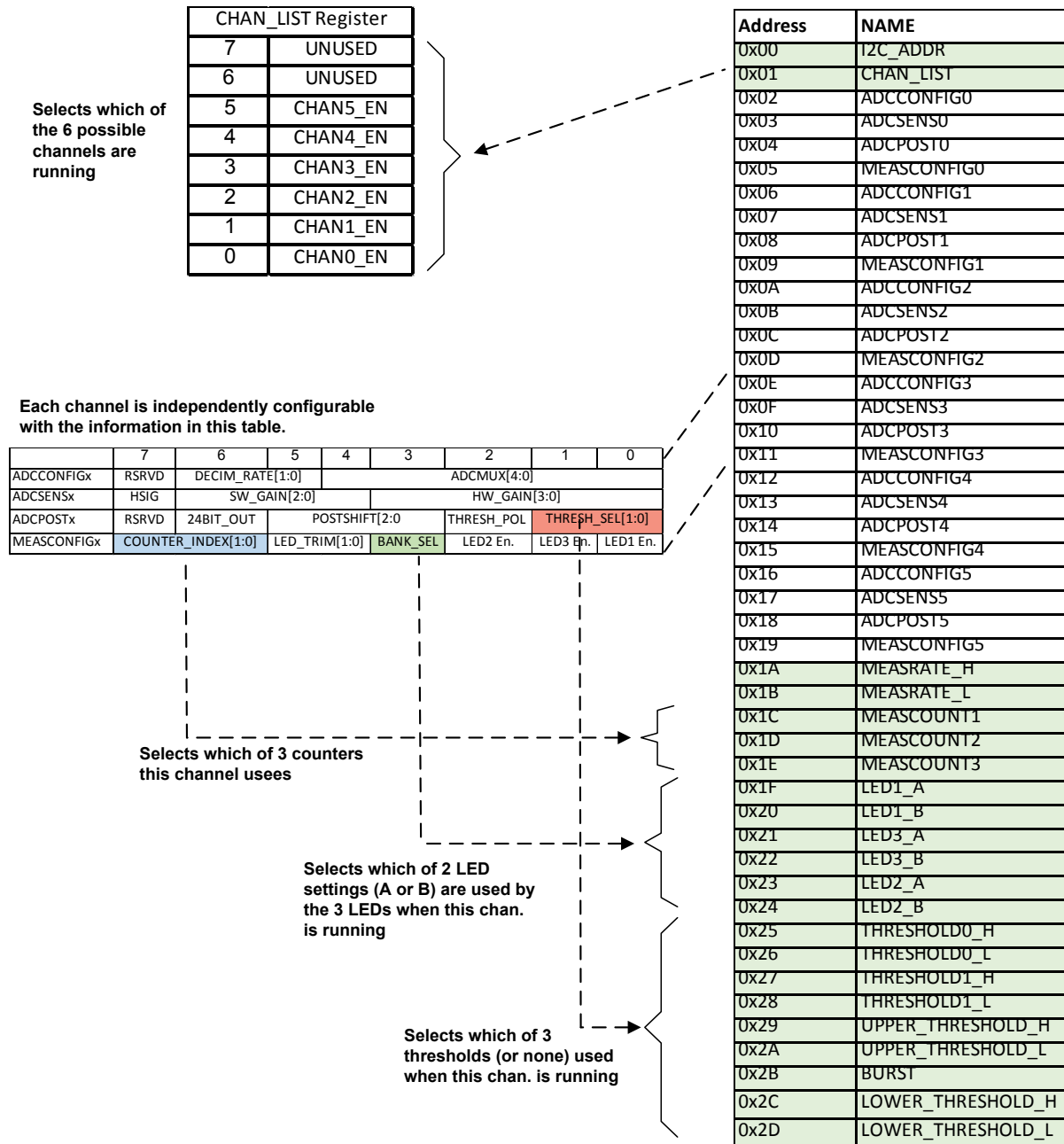


Figure 7.1. THRESH_EN, COUNTER_INDEX Fields in Each Channel Specific Register Area Points to Global Area Register THRESHOLDx and MEASCOUNTx (Respectively)

Note: In the figure above, the counter selected (1, 2, or 3) defines the number of 800 μs periods to have between readings when the channel runs. The threshold selected defines the threshold used.

7.2.1 ADCCONFIGx

Parameter Addresses: 0x02, 0x06, 0x0A, 0x0E, 0x12, 0x16								
Bit	7	6	5	4	3	2	1	0
Name	Reserved	DECIM_RATE[1:0]			ADCMUX[4:0]			
Reset	0	0	0	0	0	0	0	0

Bit	Name	Function																																																
7	RESERVED	Must remain at 0.																																																
6:5	DEC- IM_RATE[1:0]	Selects Decimations rate of A/Ds. This setting affects the number of clocks used per measurements. Decimation rate is an A/D optimization parameter. The most common decimation value is 0 for a 1024 clocks and 48.8 μ s min measurement time. Consult the related application notes for more details. Increasing the reading time by using more clocks does not cause the ADC count to be larger.																																																
		<table border="1"> <thead> <tr> <th>Value</th> <th>No of 21 MHz Clocks</th> <th>Measurement time at HW_GAIN[3:0] = 0</th> <th>Measurement time at HW_GAIN[3:0] = n</th> <th>Usage</th> </tr> </thead> <tbody> <tr> <td></td> <td></td> <td colspan="2">Note: All measurements are repeated 2X internally for ADC offset cancellation purposes. The times below represent the integration time for one of these measurement pairs.</td> <td></td> </tr> <tr> <td>0</td> <td>1024</td> <td>48.8 μs</td> <td>48.8*(2**n) μs</td> <td>Normal</td> </tr> <tr> <td>1</td> <td>2048</td> <td>97.6 μs</td> <td>97.6*(2**n) μs</td> <td>Useful for longer short measurement times</td> </tr> <tr> <td>2</td> <td>4096</td> <td>195 μs</td> <td>195*(2**n) μs</td> <td>Useful for longer short measurement times</td> </tr> <tr> <td>3</td> <td>512</td> <td>24.4 μs</td> <td>24.4*(2**n) μs</td> <td>Useful for very short measurement times</td> </tr> </tbody> </table>	Value	No of 21 MHz Clocks	Measurement time at HW_GAIN[3:0] = 0	Measurement time at HW_GAIN[3:0] = n	Usage			Note: All measurements are repeated 2X internally for ADC offset cancellation purposes. The times below represent the integration time for one of these measurement pairs.			0	1024	48.8 μ s	48.8*(2**n) μ s	Normal	1	2048	97.6 μ s	97.6*(2**n) μ s	Useful for longer short measurement times	2	4096	195 μ s	195*(2**n) μ s	Useful for longer short measurement times	3	512	24.4 μ s	24.4*(2**n) μ s	Useful for very short measurement times																		
		Value	No of 21 MHz Clocks	Measurement time at HW_GAIN[3:0] = 0	Measurement time at HW_GAIN[3:0] = n	Usage																																												
				Note: All measurements are repeated 2X internally for ADC offset cancellation purposes. The times below represent the integration time for one of these measurement pairs.																																														
		0	1024	48.8 μ s	48.8*(2**n) μ s	Normal																																												
		1	2048	97.6 μ s	97.6*(2**n) μ s	Useful for longer short measurement times																																												
		2	4096	195 μ s	195*(2**n) μ s	Useful for longer short measurement times																																												
3	512	24.4 μ s	24.4*(2**n) μ s	Useful for very short measurement times																																														
4:0	ADCMUX[4:0]	The ADC Mux selects which photodiode(s) are connected to the ADCs for measurement. See Photodiode Section for more information regarding the location of the photodiodes.																																																
		<table border="1"> <thead> <tr> <th colspan="5">ADCMUX[4:0]</th> <th>Optical Functions</th> <th>Operation</th> <th>Comments</th> </tr> </thead> <tbody> <tr> <td>0</td> <td>0</td> <td>0</td> <td>0</td> <td>0</td> <td>Small IR</td> <td>D1b</td> <td></td> </tr> <tr> <td>0</td> <td>0</td> <td>0</td> <td>0</td> <td>1</td> <td>Medium IR</td> <td>D1b + D2b</td> <td></td> </tr> <tr> <td>0</td> <td>0</td> <td>0</td> <td>1</td> <td>0</td> <td>Large IR</td> <td>D1b + D2b + D3b + D4b</td> <td></td> </tr> <tr> <td>0</td> <td>1</td> <td>0</td> <td>1</td> <td>1</td> <td>White</td> <td>D1</td> <td></td> </tr> <tr> <td>0</td> <td>1</td> <td>1</td> <td>0</td> <td>1</td> <td>Large White</td> <td>D1 + D4</td> <td></td> </tr> </tbody> </table>	ADCMUX[4:0]					Optical Functions	Operation	Comments	0	0	0	0	0	Small IR	D1b		0	0	0	0	1	Medium IR	D1b + D2b		0	0	0	1	0	Large IR	D1b + D2b + D3b + D4b		0	1	0	1	1	White	D1		0	1	1	0	1	Large White	D1 + D4	
		ADCMUX[4:0]					Optical Functions	Operation	Comments																																									
		0	0	0	0	0	Small IR	D1b																																										
		0	0	0	0	1	Medium IR	D1b + D2b																																										
		0	0	0	1	0	Large IR	D1b + D2b + D3b + D4b																																										
		0	1	0	1	1	White	D1																																										
0	1	1	0	1	Large White	D1 + D4																																												

7.2.2 ADCSENSx

Parameter Addresses: 0x03, 0x07, 0x0B, 0x0F, 0x13, 0x17								
Bit	7	6	5	4	3	2	1	0
Name	HSIG	SW_GAIN[2:0]			HW_GAIN[2:0]			
Reset	0	0	0	0	0	0	0	0

Bit	Name	Function																		
7	HSIG	This is the Ranging bit for the A/D. Normal gain at 0 and High range (sensitivity is divided by 14.5) when set to 1.																		
6:4	SW_GAIN[2:0]	<p>Causes an internal accumulation of samples with no pause between readings when in FORCED Mode. In Autonomous mode the the accumulation happens at the measurement rate selected.</p> <p>The calculations are accumulated in 24 bits and an optional shift is applied later. See ADC-POSTx.ADC_MISC[1:0]</p> <table border="1"> <thead> <tr> <th>Value</th> <th>Number of Measurements</th> </tr> </thead> <tbody> <tr><td>0</td><td>1</td></tr> <tr><td>1</td><td>2</td></tr> <tr><td>2</td><td>4</td></tr> <tr><td>3</td><td>8</td></tr> <tr><td>4</td><td>16</td></tr> <tr><td>5</td><td>32</td></tr> <tr><td>6</td><td>64</td></tr> <tr><td>7</td><td>128</td></tr> </tbody> </table>	Value	Number of Measurements	0	1	1	2	2	4	3	8	4	16	5	32	6	64	7	128
Value	Number of Measurements																			
0	1																			
1	2																			
2	4																			
3	8																			
4	16																			
5	32																			
6	64																			
7	128																			
3:0	HW_GAIN[3:0]	<table border="1"> <thead> <tr> <th>Value</th> <th>Nominal Measurement time for 512 clocks</th> </tr> </thead> <tbody> <tr><td>0</td><td>24.4 μs</td></tr> <tr><td>1</td><td>48.8 μs</td></tr> <tr><td>2</td><td>97.5 μs</td></tr> <tr><td>.....</td><td>.....</td></tr> <tr><td>10</td><td>25 ms</td></tr> <tr><td>11</td><td>50 ms</td></tr> <tr><td>12 to 15</td><td>unused</td></tr> </tbody> </table>	Value	Nominal Measurement time for 512 clocks	0	24.4 μ s	1	48.8 μ s	2	97.5 μ s	10	25 ms	11	50 ms	12 to 15	unused		
Value	Nominal Measurement time for 512 clocks																			
0	24.4 μ s																			
1	48.8 μ s																			
2	97.5 μ s																			
.....																			
10	25 ms																			
11	50 ms																			
12 to 15	unused																			

7.2.3 ADCPOSTx

Parameter Addresses: 0x04, 0x08, 0x0C, 0x10, 0x14, 0x18								
Bit	7	6	5	4	3	2	1	0
Name	Reserved	24BIT_OUT	POSTSHIFT[2:0]			THRESH_P OL	THRESH_EN[1:0]	
Reset	0	0	0	0	0	0	0	0

Bit	Name	Function	
7	RESERVED	Must be set to 0	
6	24BIT_OUT	Determines the size of the fields in the output registers.	
		Value	Bits/Result
		0	16
		1	24
5:3	POSTSHIFT[2:0]	The number of bits to shift right after SW accumulation. Allows the results of many additions not to overflow the output. Especially useful when the output is in 16 bit mode.	
2	THRESH_POL	Determines the polarity of the threshold based interrupt	
		Value	Operation
		0	Interrupt is triggered when the sample is larger than the threshold (THRESH_EN is set to 1 or 2), or exits the threshold window (THRESH_EN is set to 3)
1	Interrupt is triggered when the sample is smaller than the threshold (THRESH_EN is set to 1 or 2), or enters the threshold window (TRHESH_EN is set to 3)		
1:0	THRESH_EN [1:0]	Value	Operation
		0	Do not use THRESHOLDS
		1	Interrupt when the sample is larger/smaller than the THRESHOLD0 Global Parameters
		2	Interrupt when the sample is larger/smaller than the THRESHOLD1 Global Parameters
		3	Interrupt when the sample exits/enters the window between UPPER_THRESHOLD and LOWER_THRESHOLD Global Parameters

7.2.4 MEASCONFIGx

Parameter Addresses: 0x05, 0x0A, 0x0D, 0x11, 0x15, 0x19								
Bit	7	6	5	4	3	2	1	0
Name	COUNTER_INDEX[1:0]		LED_TRIM[1:0]		BANK_SEL	LED2_EN	LED3_EN	LED1_EN
Reset	0	0	0	0	0	0	0	0

Bit	Name	Function	
7:6	COUNTER_INDEX[1:0]	Selects which of the three counters (MEASCOUNTx) in the global parameter list is in use by this channel. These counters control the period/frequency of measurements. When the channel uses the COUNTER_INDEX[1:0] to select a MEASCOUNTk register in the parameter table, then the time between measurements for this channel is = 800 us * MEASRATE * MEASCOUNTk.	
		A value of zero in MEASRATE will prevent autonomous mode from working. Similarly a zero in MEASCOUNTk will prevent the autonomous mode from working for the concerned channel	
		Value	Results
		0	Measurement not be performed except in BURST or Forced modes
		1	Selects MEASCOUNT0
		2	Selects MEASCOUNT1
5:4	LED_TRIM[1:0]	Value	Results
		0	Nominal LED Currents
		1	UNDEFINED
		2	LED Currents Increased by 9%
		3	LED Currents decreased by 10%
3	BANK_SEL	Value	LED Current Registers Selected in Global Register Area
		0	LED1_A, LED2_A, LED3_A
		1	LED1_B, LED2_B, LED3_B
2	LED2_EN	One value enables the LED ¹	
1	LED3_EN	One value enables the LED ²	
0	LED1_EN	One value enables the LED	

Note:

1. This is only available in Si1152 and Si1153.
2. This is only available in Si1153.

7.3 Photodiode Selection

The ADCCONFIGx.ADCMUX [4:0] Register controls the photodiode selection.

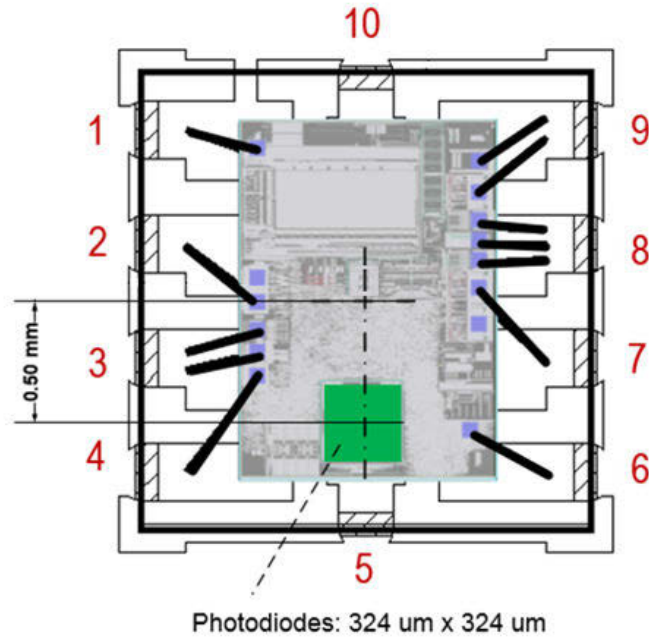


Figure 7.2. Photodiode Locations

8. Electrical Specifications

Table 8.1. Recommended Operating Conditions

Parameter	Symbol	Condition	Min	Typ	Max	Unit
V _{DD} Supply Voltage	V _{DD}		1.62	—	3.6	V
V _{DD} OFF Supply Voltage	V _{DD_OFF}	OFF mode	-0.3		0.5	V
V _{DD} Supply Ripple Voltage		V _{DD} = 3.3 V 1 kHz – 10 MHz	—	—	50	mVpp
Operating Temperature	T		-40	25	85	°C
SCL, SDA, Input High Logic Voltage	I ² C _{VIH}		V _{DD} × 0.7	—	V _{DD}	V
SCL, SDA Input Low Logic Voltage	I ² C _{VIL}		0	—	V _{DD} × 0.3	V
Start-Up Time		V _{DD} above 1.62 V	25	—	—	ms
LED Supply Voltage	V _{LED}				5.5	V

Table 8.2. Electrical Performance Characteristics

Parameter	Symbol	Condition ¹	Min	Typ	Max	Unit
I _{DD} Standby Mode (sleep)	I _{sb}	No ADC Conversions No I ² C Activity V _{DD} = 1.8 V	—	125	—	nA
	I _{sb}	No ADC Conversions No I ² C Activity V _{DD} = 3.3 V	—	1.25	—	μA
I _{DD} Suspend Mode	I _{sus}	Autonomous Operation (RTC On) ADC conversion in Progress No I ² C Activity V _{DD} = 1.8 V	—	0.550	—	mA
	I _{sus}	Autonomous Operation (RTC On) ADC conversion in Progress No I ² C Activity V _{DD} = 3.3 V	—	0.525	—	mA

Parameter	Symbol	Condition ¹	Min	Typ	Max	Unit
I active, but not measuring	I active	Responding to commands, Preparing and calculating results of readings. $V_{DD} = 1.8\text{ V}$		4.25	—	mA
	I active	Responding to commands, Preparing and calculating results of readings. $V_{DD} = 3.3\text{ V}$		4.5	—	mA
INT, SCL, SDA Leakage Current		$V_{DD} = 3.3\text{ V}$	-1	—	1	μA
Processing Time per Measurement (During this time the current is I Active)	t_{process}	ALS or Prox		155		μs
A/D startup time per measurement (During this time the current is I Suspend)	t_{adstart}	ALS or Prox	—	48.8	—	μs
Ratio of readings with HSIG=0 and HSIG=1 for the shallow PD.		525 nm, Internal ADCMUX=11, ADC_GAIN=0	—	15.2	—	units
Ratio of readings with HSIG=0 and HSIG=1 for the deep PD.		940 nm ADCMUX=0, ADC_GAIN=0	—	15.2	—	units
SCL, SDA VOL			—	—	$V_{DD} * 0.2$	V
INT VOL			—	—	0.4	V

Notes:

1. Unless specifically stated in the Condition column, electrical data assumes ambient light levels < 1 klx.
2. Guaranteed by design and characterization.

Table 8.3. Optical Performance Characteristics: Si115x-AB00

Parameter	Symbol	Condition	Min	Typ	Max	Unit
White minus Dark Shallow Photodiode Response ADCMUX=11 DECIM=0 ADC_RANGE=0 HSIG=0		460 nm (blue)	—	190	—	ADC Counts /(W/m ²)
		525 nm (green)	—	160	—	
		625 nm (red)	—	100	—	
		850 nm (IR)	—	30	—	
		940 nm (IR)	—	10	—	
Dual White minus Dual Dark Photodiode Response ADCMUX=13 DECIM=0 ADC_GAIN = 0 HSIG=0		460 nm (blue)	—	380	—	ADC Counts /(W/m ²)
		525 nm (green)	—	320	—	
		625 nm (red)	—	200	—	
		850 nm (IR)	—	60	—	
		940 nm (IR)	—	20	—	
Deep minus Dark Photodiode Response ADCMUX=0 DECIM=0 ADC_GAIN =0 HSIG=0		460 nm (blue)	—	90	—	ADC Counts /(W/m ²)
		525 nm (green)	—	260	—	
		625 nm (red)	—	510	—	
		850 nm (IR)	—	690	—	
		940 nm (IR)	—	490	—	
Dual Deep Photodiode minus Dual Dark Photodiode Response ADCMUX=1 DECIM=0 ADC_GAIN =0 HSIG=0		460 nm (blue)	—	190	—	ADC Counts /(W/m ²)
		525 nm (green)	—	520	—	
		625 nm (red)	—	1000	—	
		850 nm (IR)	—	1280	—	
		940 nm (IR)	—	860	—	

Table 8.4. Optical Performance Characteristics: Si115x-AB09

Parameter	Symbol	Condition	Min	Typ	Max	Unit
White minus Dark Shallow Photodiode Response ADCMUX=11 DECIM=0 ADC_RANGE=0 HSIG=0		460 nm (blue)	—	0	—	ADC Counts /(W/m ²)
		525 nm (green)	—	0	—	
		625 nm (red)	—	0	—	
		850 nm (IR)	—	0	—	
		940 nm (IR)	—	10	—	
Dual White minus Dual Dark Photodiode Response ADCMUX=13 DECIM=0 ADC_GAIN = 0 HSIG=0		460 nm (blue)	—	0	—	ADC Counts /(W/m ²)
		525 nm (green)	—	0	—	
		625 nm (red)	—	10	—	
		850 nm (IR)	—	0	—	
		940 nm (IR)	—	20	—	
Deep minus Dark Photodiode Response ADCMUX=0 DECIM=0 ADC_GAIN =0 HSIG=0		460 nm (blue)	—	0	—	ADC Counts /(W/m ²)
		525 nm (green)	—	0	—	
		625 nm (red)	—	10	—	
		850 nm (IR)	—	40	—	
		940 nm (IR)	—	410	—	
Dual Deep Photodiode minus Dual Dark Photodiode Response ADCMUX=1 DECIM=0 ADC_GAIN =0 HSIG=0		460 nm (blue)	—	0	—	ADC Counts /(W/m ²)
		525 nm (green)	—	0	—	
		625 nm (red)	—	10	—	
		850 nm (IR)	—	80	—	
		940 nm (IR)	—	710	—	

Table 8.5. I2C Timing Specifications

Parameter	Symbol	Min	Typ	Max	Unit
Clock Frequency	f_{SCL}	—	—	400	KHz
Clock Pulse Width Low	t_{LOW}	1.3	—	—	μs
Clock Pulse Width High	t_{HIGH}	0.6	—	—	μs
Rise Time	t_R	20	—	300	ns
Fall Time	t_F	20 * ($V_{DD} / 5.5$)	—	300	ns
Start Condition Hold Time	$t_{HD:STA}$	0.6	—	—	μs
Start Condition Setup Time	$t_{SU:STA}$	0.6	—	—	μs
Input Data Setup Time	$t_{SU:DAT}$	100	—	—	ns
Data Hold Time	$t_{HD:DAT}$	0	—	—	ns
Output Data Valid Time	$t_{VD:DAT}$	—	—	0.9	μs
Stop Setup Time	$t_{SU:STO}$	0.6	—	—	μs
Bus Free Time	t_{BUF}	1.3	—	—	μs
Suppressed Pulse Width	t_{SP}	—	—	40	ns
Bus Capacitance	C_b	—	—	400	pF

Table 8.6. LED Optical Characteristics

Parameter	Symbol	Test Condition	Min	Typ	Max	Unit
Forward voltage	Vf1	If = 10 μ A	0.8	—	—	V
Forward voltage	Vf2	If = 50 mA	—	1.4	1.8	V
Reverse current	Ir	Vr = 10 V	—	—	5.0	μ A
Peak wavelength	λ_p	If = 50 mA	925	940	955	nm
Spectral half-width	$\Delta\lambda$	If = 50 mA	—	30	—	nm
Radiant flux	Po	If = 50 mA	10	—	—	mW
Radiant Intensity	Ie	If = 50 mA	17	23	30	mW/sr
Half Angle	ϕ		—	25	—	$^{\circ}$ C

Note:

1. All specifications measured at 25 $^{\circ}$ C.

Table 8.7. Absolute Maximum Ratings

Parameter	Condition	Min	Typ	Max	Unit
V _{DD} Supply Voltage		-0.3	—	4	V
Operating Temperature		-40	—	85	$^{\circ}$ C
Storage Temperature		-65	—	85	$^{\circ}$ C
INT, SCL, SDA Voltage	at V _{DD} = 0 V, T _A < 85 $^{\circ}$ C	-0.5	—	3.6	V
ESD Rating	Human Body Model	—	—	2	kV
	Machine Model	—	—	225	V
	Charged-Device Model	—	—	2	kV

Table 8.8. Typical LED Current vs. LED Code

Order No.	LED Code	Current
0	0x00	5.5
1	0x08	11
2	0x10	17
3	0x18	22
4	0x20	28
5	0x28	33
6	0x30	39
7	0x38	44
8	0x12	50
9	0x21	55
10	0x29	66
11	0x31	77
12	0x22	83
13	0x39	88
14	0x2A	100
15	0x23	111
16	0x32	116
17	0x3A	133
18	0x24	138
19	0x33	155
20	0x2C	166
21	0x3B	177
22	0x34	194
23	0x2D	199
24	0x3C	221
25	0x35	232
26	0x3D	265
27	0x36	271
28	0x3E	310
29	0x3F	354

Note:

1. At trim bit = 0.

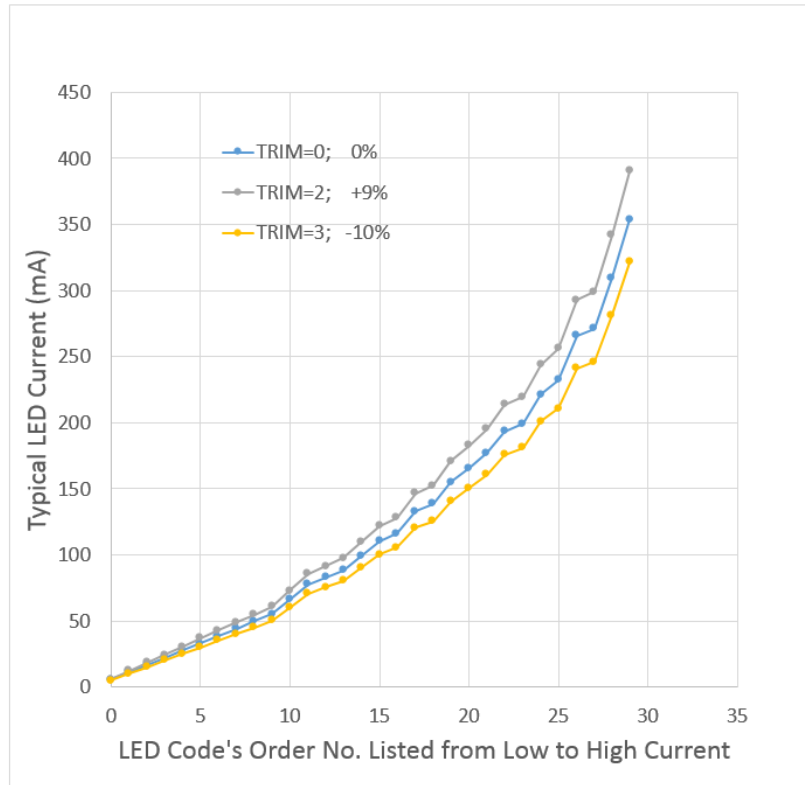


Figure 8.1. Typical LED Currents as a Function of LED Code and the Trim Bit

Note: In the figure above, the LED configuration happens in the Global Area registers, LED[1,2,3]_[A,B], and in the MEASCONFIGx register of the channel-specific registers.

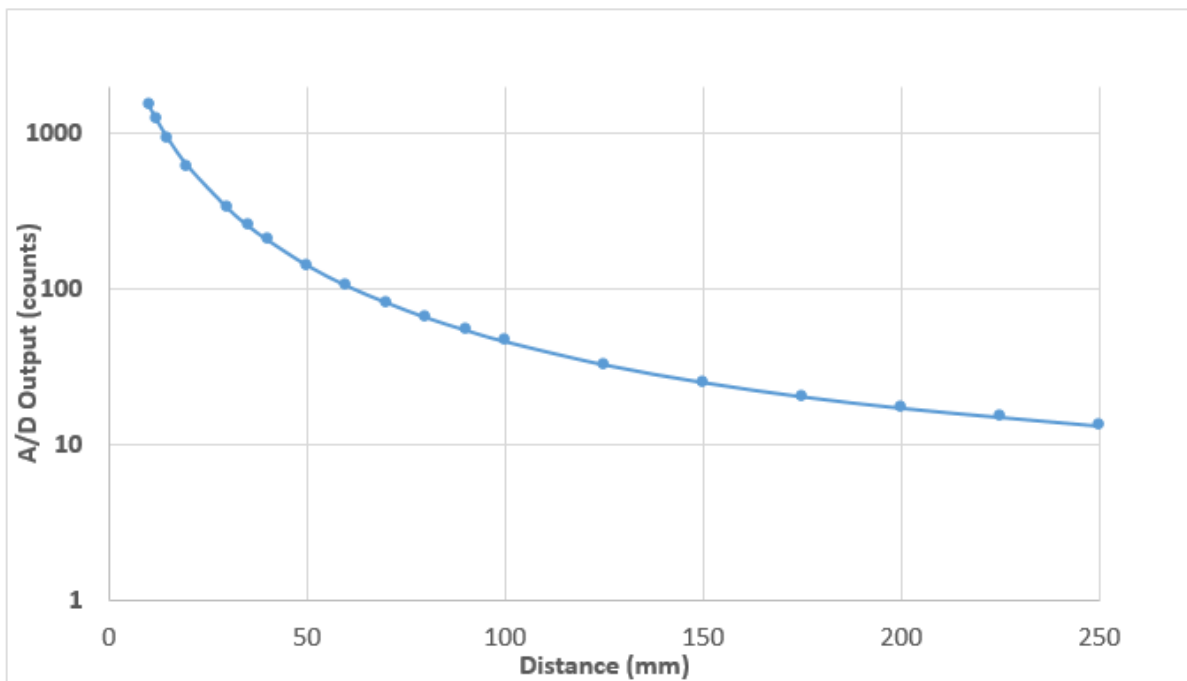


Figure 8.2. ADC Out as a Function of Distance

Note: The above graph is created under the following conditions: (LED I = 16.6 mA, t = 24.4 μ s, Range = low). Grey 18% reflector. Dual Section photodiode. LED beam 1/2 power is at ± 30 $^{\circ}$ C. Output is 5 mW total.

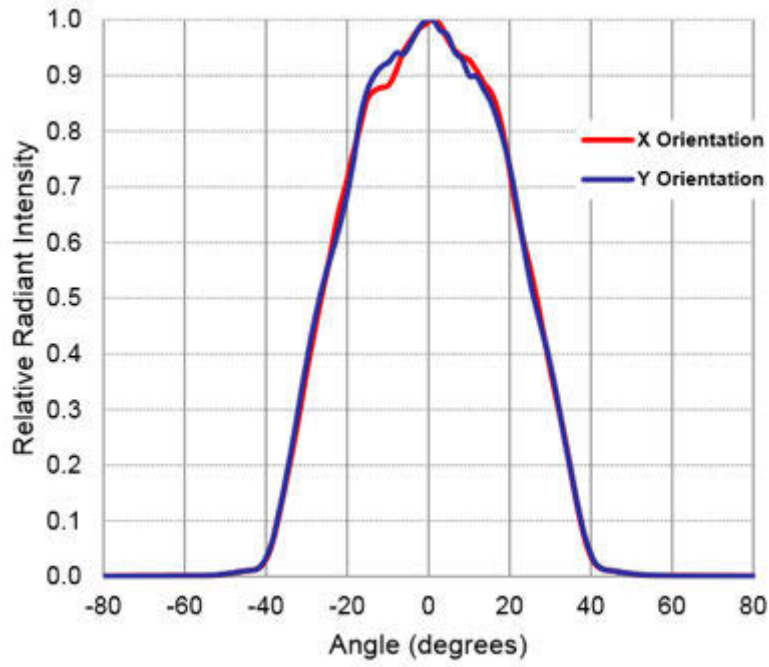


Figure 8.3. Si115x-AB9X LED Radiant Intensity vs. Angle (Indicative)

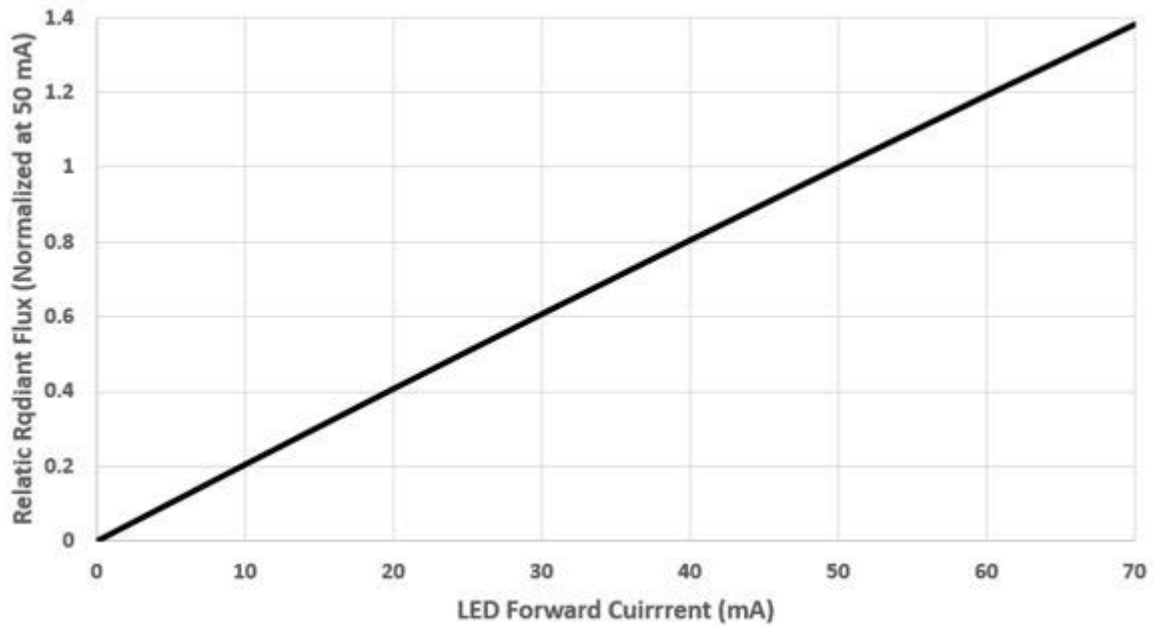


Figure 8.4. Si115x-AB9X LED Radiant Intensity vs. Forward Current (Indicative)

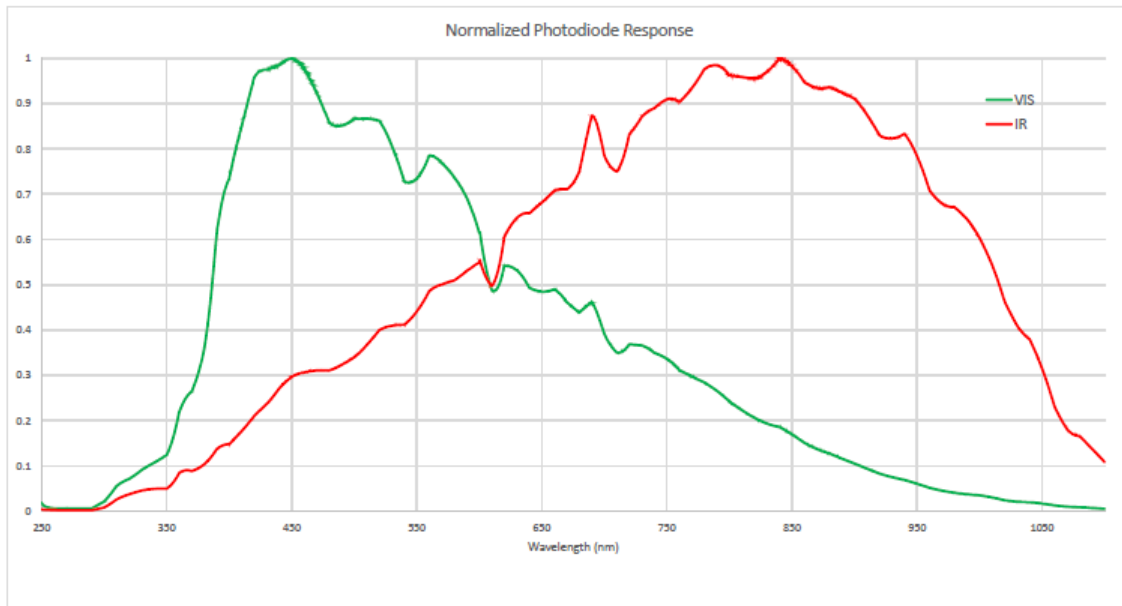


Figure 8.5. Si115x-AB00 Shallow and Deep Photodiode Spectral Response (Indicative)

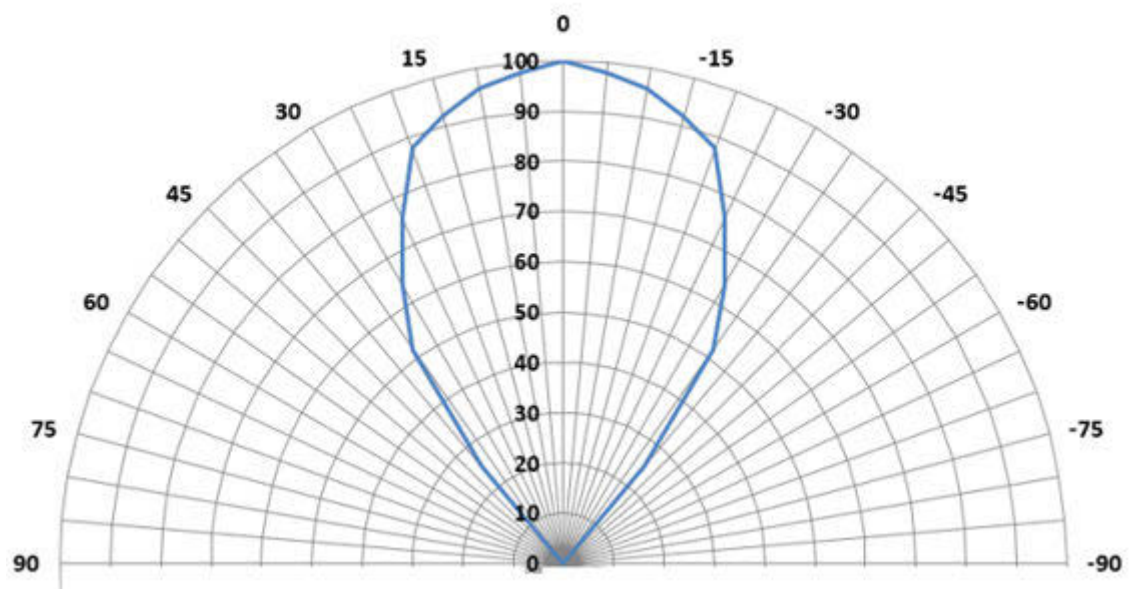


Figure 8.6. Typical Angular Sensitivity of the Photodiodes (%)

9. Pin Descriptions

9.1 DFN Pin Description

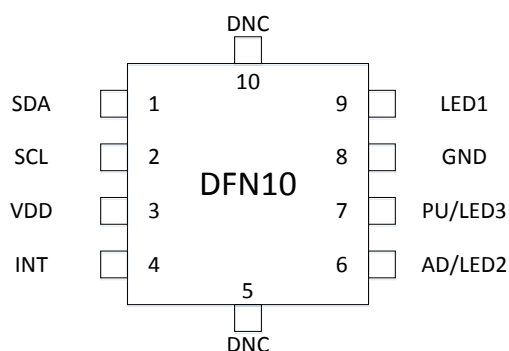


Figure 9.1. 10-Pin DFN

Table 9.1. Pin Descriptions

Pin	Name	Type	Description
1	SDA	Bidirectional	I ² C Data.
2	SCL	Input	I ² C Clock.
3	VDD	Power	Power Supply. Voltage source.
4	INT	Bidirectional	Interrupt Output. Open-drain interrupt output pin.
5	DNC		Do Not Connect. This pin is electrically connected to an internal Si115x node. It should remain un-connected.
6	AD / LED2	Bidirectional	LED2 output. It is sensed during startup. Pull up to V _{DD} with 47 k Resistor for default I ² C address (0x53). Pull down with 47 k Resistor to select alternate I ² C address (0x52) and do not use it as an LED driver in that case.
7	PU / LED3	Bidirectional	LED3 output (Si1153 only) Connect to V _{DD} through pull up resistor (mandatory for Si1151 and Si1152, mandatory for Si1153 if no LED is used)
8	GND	Power	Ground. Reference voltage.
9	LED1	Output	Connect to V _{DD} . Connect to V _{DD} through a pull-up resistor when not in use.
10	DNC		Do Not Connect. This pin is electrically connected to an internal Si115x node. It should remain un-connected.

9.2 Module Pin Description

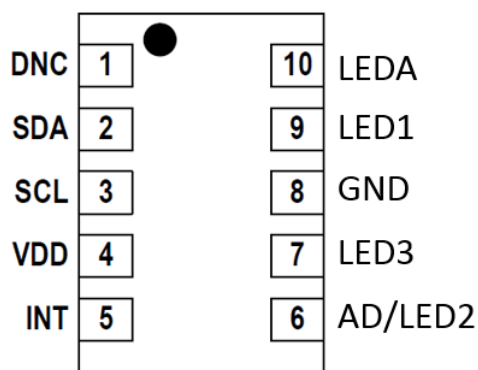


Figure 9.2. 2.85 x 4.9 mm QFN

Table 9.2. Pin Descriptions

Pin	Name	Type	Description
1	DNC		Do Not Connect. This pin is electrically connected to an internal Si115x node. It should remain unconnected.
2	SDA	Bidirectional	I ² C Data.
3	SCL	Input	I ² C Clock.
4	VDD	Power	Power Supply. Voltage source.
5	INT	Bidirectional	Interrupt Output. Open-drain interrupt output pin.
6	AD / LED2	Bidirectional	LED2 output. Connect to V _{DD} through pull up resistor (mandatory for Si1151 and Si1152, mandatory for Si1153 if no LED is used)
7	PU / LED3	Bidirectional	LED3 output. Always connect to V _{DD} through a pull-up resistor. Connect to an LED cathode if that output is used. Must be at logic level high during power-up sequence to allow normal operation.
8	GND	Power	Ground. Reference voltage.
9	LED1	Output	Connect to V _{DD} . Connect to V _{DD} through a pull-up resistor when not in use.
10	LEDA		LED Anode Supply. Connect to VLED.

10. Package Outline

10.1 10-Pin 2x2 mm DFN

DFN Package Diagram Dimensions illustrates the package details for the Si115x DFN package lists the values for the dimensions shown in the illustration.

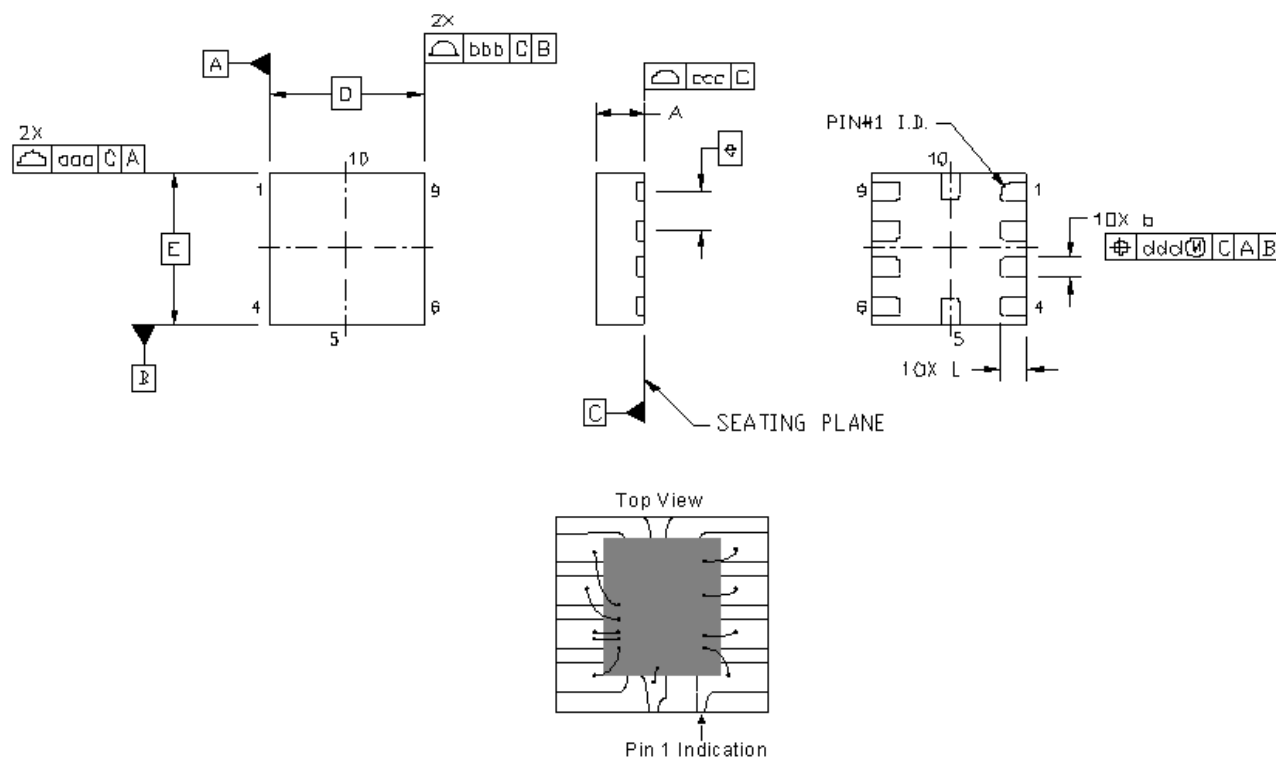


Figure 10.1. DFN Package Diagram Dimensions

Table 10.1. Package Diagram Dimensions

Dimension	Min	Nom	Max
A	0.55	0.65	0.75
b	0.20	0.25	0.30
D		2.00 BSC.	
e		0.50 BSC.	
E		2.00 BSC.	
L	0.30	0.35	0.40
aaa		0.10	
bbb		0.10	
ccc		0.08	
ddd		0.10	

Notes:

1. All dimensions shown are in millimeters (mm).
2. Dimensioning and Tolerance per ANSI Y14.5M-1994.

10.2 10-Pin LGA Module

The figure below illustrates the package details for the Si115x LGA package while the table lists the values for the dimensions shown in the illustration.

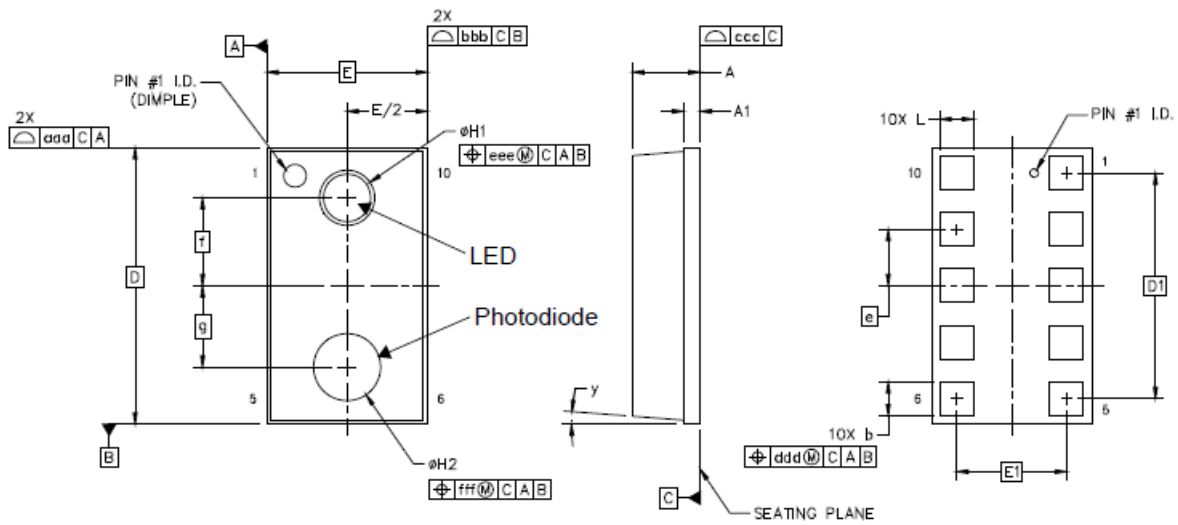


Figure 10.2. LGA Package Diagram Dimensions

Table 10.2. 10-Pin LGA Module Package Diagram Dimensions

Dimension	Min	Nom	Max
A	1.10	1.20	1.30
A1	0.28	0.30	0.32
b	0.55	0.60	0.65
D	4.90 BSC		
D1	4.00 BSC		
e	1.00 BSC		
E	2.85 BSC		
E1	1.95 BSC		
f	1.56 BSC		
g	1.44 BSC		
H1	0.98	1.03	1.08
H2	1.19	1.24	1.29
L	0.55	0.60	0.65
y	3° REF		
aaa	0.10		
bbb	0.10		
ccc	0.08		
ddd	0.10		
eee	0.10		
fff	0.10		

Notes:

1. All dimensions shown are in millimeters (mm) unless otherwise noted.
2. Dimensioning and tolerancing per ANSI Y14.5M-1994.
3. Recommended card reflow profile is per the JEDEC/IPC J-STD-020 specification for Small Body Components.

11. Land Patterns

11.1 2x2 mm DFN Land Pattern

See the figure and table below for the suggested 2 x 2 mm DFN PCB land pattern.

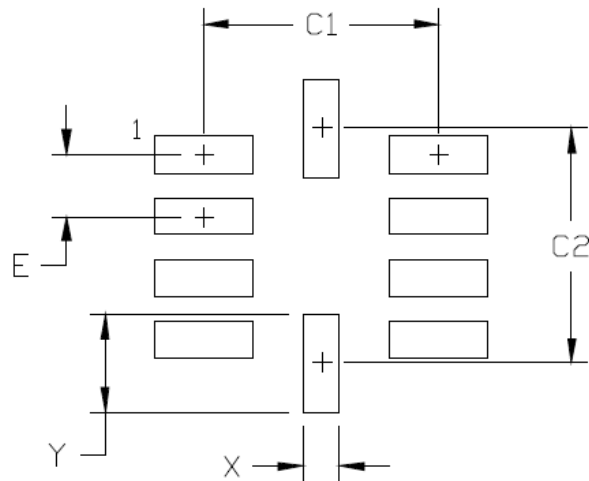


Figure 11.1. 2 x 2 mm DFN PCB Land Pattern

Table 11.1. Land Pattern Dimensions

Dimension	mm
C1	1.90
C2	1.90
E	0.50
X	0.30
Y	0.80

Notes:

General

1. All dimensions shown are in millimeters (mm).
2. This Land Pattern Design is based on the IPC-7351 guidelines.
3. All dimensions shown are at Maximum Material Condition (MMC). Least Material Condition (LMC) is calculated based on a Fabrication Allowance of 0.05 mm.

Solder Mask Design

4. All metal pads are to be non-solder mask defined (NSMD). Clearance between the solder mask and the metal pad is to be 60 μm minimum, all the way around the pad.

Stencil Design

5. A stainless steel, laser-cut and electro-polished stencil with trapezoidal walls should be used to assure good solder paste release.
6. The stencil thickness should be 0.125 mm (5 mils).
7. The ratio of stencil aperture to land pad size should be 1:1 for all pads.

Card Assembly

8. A No-Clean, Type-3 solder paste is recommended.
9. The recommended card reflow profile is per the JEDEC/IPC J-STD-020D specification for Small Body Components.

11.2 10-Pin LGA Module

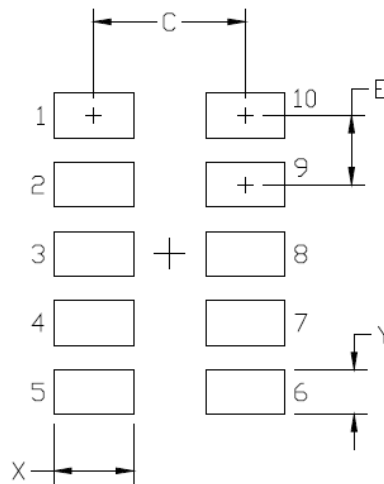


Figure 11.2. 10-Pin LGA Module Land Pattern

Table 11.2. Land Pattern Dimensions

Dimension	mm
C	2.20
E	1.00
X	1.15
Y	0.65

Notes:**General**

- All dimensions shown are in millimeters (mm).
- This Land Pattern Design is based on the IPC-7351 guidelines.
- All dimensions shown are at Maximum Material Condition (MMC). Least Material Condition (LMC) is calculated based on a Fabrication Allowance of 0.05 mm.

Solder Mask Design

- All metal pads are to be non-solder mask defined (NSMD). Clearance between the solder mask and the metal pad is to be 60 μm minimum, all the way around the pad.

Stencil Design

- A stainless steel, laser-cut and electro-polished stencil with trapezoidal walls should be used to assure good solder paste release.
- The stencil thickness should be 0.125 mm (5 mils).
- The ratio of stencil aperture to land pad size should be 1:1 for all pads.

Card Assembly

- A No-Clean, Type-3 solder paste is recommended.
- The recommended card reflow profile is per the JEDEC/IPC J-STD-020D specification for Small Body Components.

12. Revision History

Revision 1.3

January, 2019

- Updated data sheet to include content for Si1151 and Si1152.

Revision 1.2

September, 2018

- Added interrupt modes to use threshold window.
- Updated the parameter table to the latest firmware.

Revision 1.1

October 5, 2017

- Added OPN Si1153-AA09-AMR.

Revision 1.0

September 29, 2016

- Updated Register in [Table 8.2 Electrical Performance Characteristics on page 43](#) from Reset to IRQENABLE.
- Swapped position on LED2_EN and LED_3 EN.
- Added Max VLED voltage to 5.5 V.

Revision 0.9

December 4, 2015

- Initial release.