



**SKYWORKS®**

# Global Voice ISOModem-EVB

## Evaluation Board for the Si2494/39/38/37/36/35/29/19/18/17 ISOModem

### Description

The Global Voice ISOModem EVB evaluation board provides the system designer with an easy way of evaluating the ISOModem®. The Voice ISOModem EVB consists of a motherboard with a complete removable daughter card

The Voice ISOModem is a complete controller based modem chipset with an integrated and programmable direct access arrangement (DAA) that meets the global telephone line requirements. It is available in a 24-pin or 38-pin system side device and a 16-pin line side device. The hardware versions at the time of publication are:

- Voice Mother Board Si24xxVMB Rev 2.0
- Modem Daughter Card Si24xx2G-DC Rev 2.0
- Modem Daughter Card Si24xx2G-QFN38-DC Rev 1.0

The voice daughter card is populated with the correct ISOModem system side chip (Si2494/39/38/37/36/35/29/19/18/17) and the correct line side DAA chip, the Si3018 to suit the voice applications.

The ISOModem eliminates the need for a separate DSP data pump, modem controller, memories, codec, isolation transformers, relays, opto-isolators and a 3-4 wire hybrid. The ISOModem is ideal for embedded modem and voice applications due to its small board area, controller based architecture, low power consumption and global compliance.

An onboard rectifier, filter, and voltage regulator allow the power input to be 7.5–13 V ac or dc (either polarity) supplied through a screw terminal (J8) or a standard 2 mm power jack (J9). Alternatively, power can be supplied through the USB interface (whether the USB or RS232 interface is used).

The Power Source Selection in automatic, while the signaling port is selected by a jumper (JP23).

The evaluation board audio power amplifier can drive an external speaker for either call progress monitoring or speakerphone function. A small onboard speaker, suitable for call progress monitoring, is installed.

Please note that fax modem versions listed in the title require a software driver in order to implement fax send/receive functionality. The driver must be compliant with the Skyworks Solutions ISOModem and with applicable ITU-T standards (e.g., T.30, T.31, T.4 and T.6) Contact Skyworks Solutions for details.

### Features

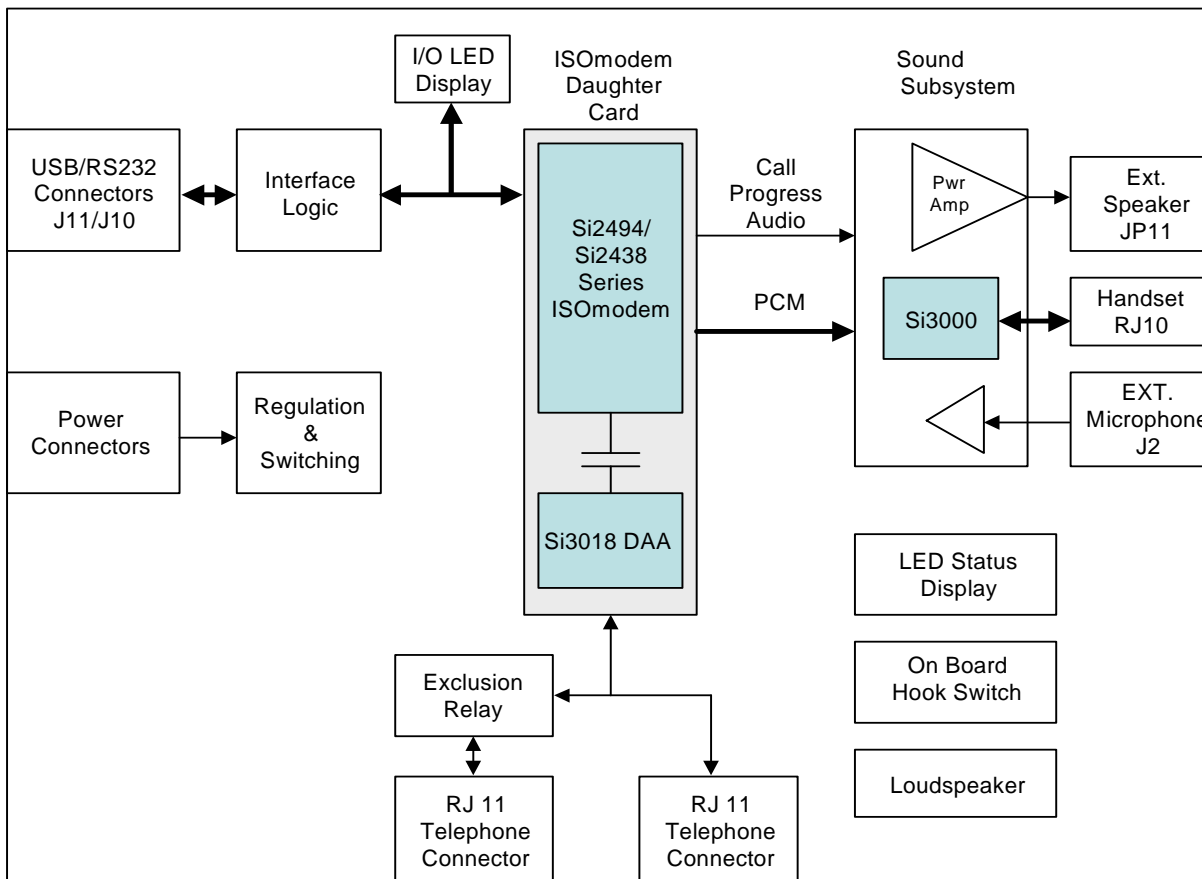
This evaluation board includes the following:

- Socketed module with the modem chipset
- USB or asynch RS232 Serial Interface
- RJ11 connection to the phone line
- Onboard relay-excludable RJ11 connection
- RS232 and USB interface to the PC
- Direct access to the ISOModem signals for embedded system evaluation
- Power from a provided 8.5–13.5 V dc power supply or from the USB port
- Handset connector (J1)
- Onboard hookswitch
- External hookswitch connector
- Jumper matrix that allows any handset wiring scheme to work with this board
- Onboard speakerphone microphone
- RCA jack connector to an optional off-board speakerphone electret microphone
- Selectable and adjustable electret power supplies for both handset and speakerphone microphones
- Onboard 300 mW audio power amplifier (into a 4 Ω load) for driving either onboard or external speaker.
- Onboard voice coil driven loudspeaker for call monitoring
- LED display of all RS232 signals

# Global Voice ISModem-EVB

## Functional Block Diagram

As shown in Figure 1, the daughter card is a plug-in component with the complete modem, while the rest of the motherboard provides selectable serial RS232 or USB links, the sound subsystem, and power regulation and distribution.



**Figure 1. Functional Block Diagram**

The voice ISModem EVB provides a sound system consisting of the Si3000 codec along with a handset RJ10 connector as well as onboard microphone and loudspeaker with options for these devices to be placed off-board. The bias voltages for both the onboard microphone and the handset microphone can be modified and alternate sources used.

This allows the board to be used as a telephone or as a speakerphone as is, or to be integrated into the customer's system.

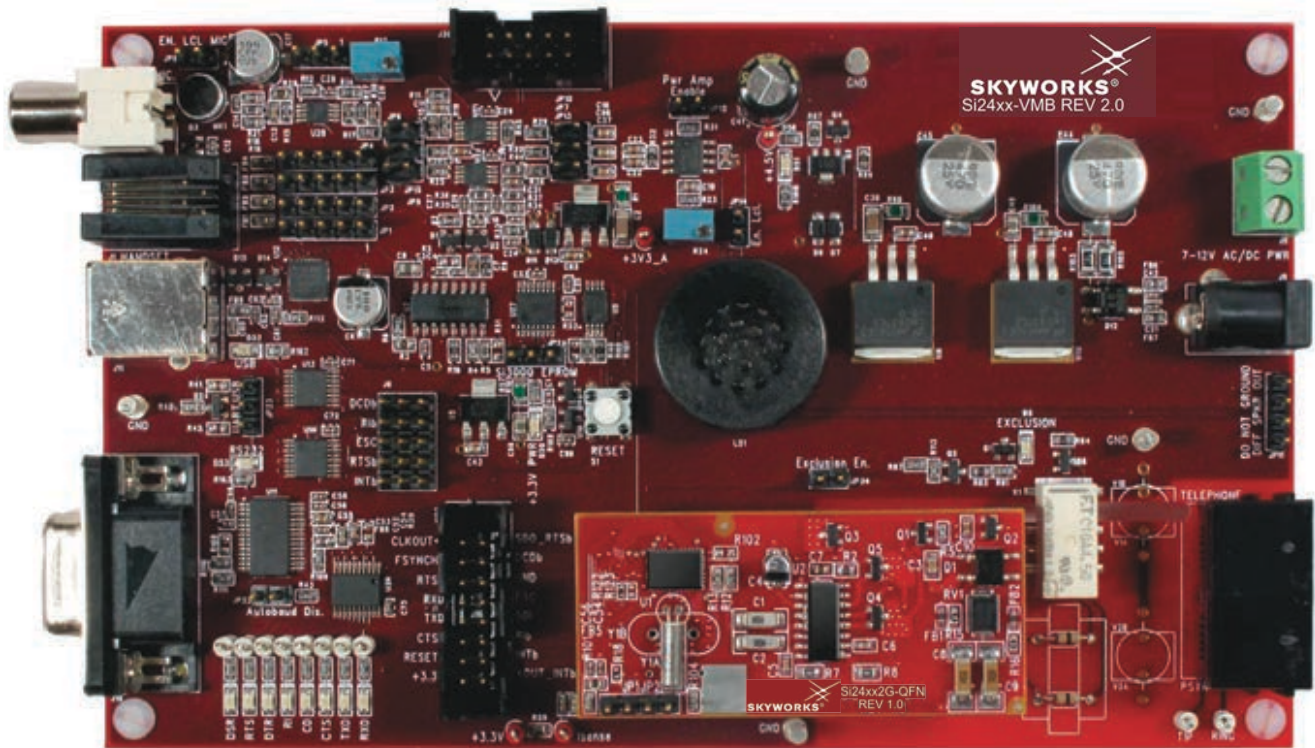
The evaluation board can drive an external speaker or a small onboard speaker. For speaker-phone applications it is recommended that an off board loudspeaker be used.

An onboard rectifier, filter and voltage regulator allow the power input to be 8.5 to 13.5 V peak ac or dc of either polarity supplied through screw terminals (J8) or a standard 2 mm power jack (J9). Alternatively the power can be supplied through the USB interface. Automatic switching is provided for the power, but not for the data interface. That data interface is selected by JP23.

# Global Voice ISModem-EVB

## 1. Global Voice ISModem EVB

The evaluation board is shown in Figure 2. Note the socketed daughter card with the modem chipset on the bottom right of the board.



**Figure 2. Global Voice ISModem Evaluation Board**

The ISModem chip requires software driver in order to perform either FAX or sound functionality. Contact Skyworks Solutions for details. “AN244: Si2438/37/36/35/29/19/18/17 Fax Modem Designer’s Guide” and “AN93: Si2494/93/57/39/34/15/04 Data Modem Designer’s Guide” are useful for driver development.

The Global Voice ISModem EVB provides an RJ11 jack for interfacing to the phone line and the USB or serial ports can interface to a PC or a host CPU. This allows the board to operate as a class 1 fax modem for an evaluation or as a global voice and data modem (depending on the specific ISModem used).

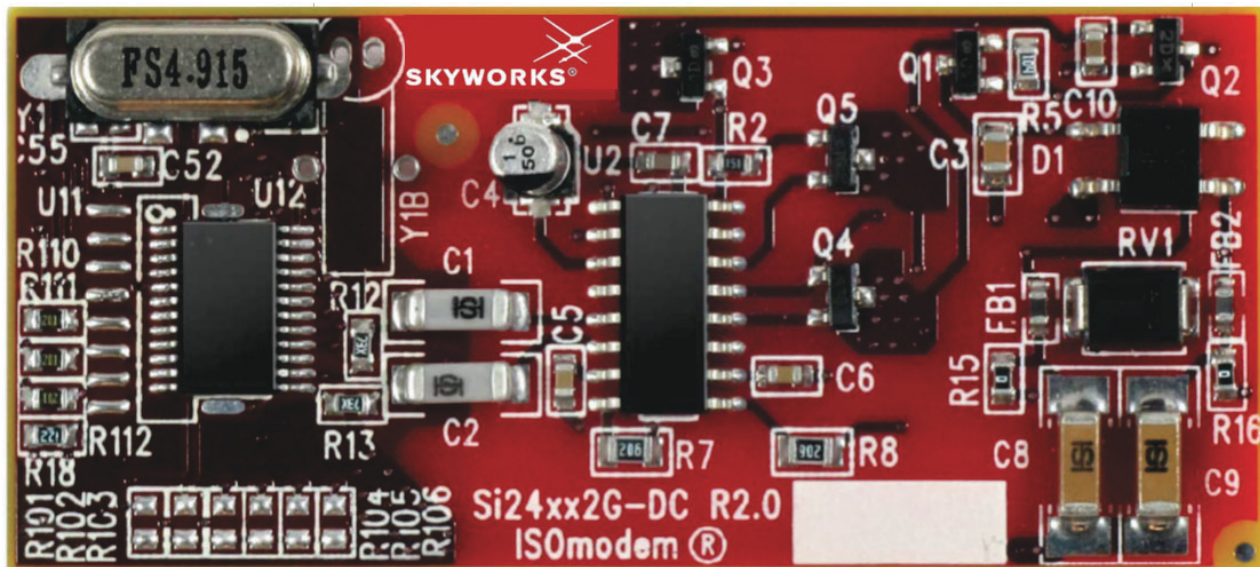
A handset, microphone and speaker can also be attached to demonstrate the sound features, which may include TAM and speaker-phone operations, depending on the specific ISModem chip used. Table 1 lists which ISModem chips have these features. A software driver or application is required to perform these data and sound operations. The included UltraCOM application can demonstrate the sound features of the ISModem and provides a tool to aid development.

# Global Voice ISModem-EVB

## 2. Daughter Cards

There are two types of daughter cards available for this EVB. One supports the TSSOP version of the system side chip, and the other supports the QFN38 version of the system side.

An example of the TSSOP version of the daughter card is shown in Figure 3. It has the ISModem system-side chip as well as the Si3018 DAA chip. The left side of the board contains the system side while the right side contains the DAA chip along with the few interface parts needed to connect to a telephone line.



**Figure 3. Daughter Card**

Although this card is provided as part of the global voice EVB, it can also be directly connected to an embedded system using TTL logic.

When run by a software driver the chipset on this daughter card is capable of making fax calls, telephone calls with a handset, data calls and both. TAM and speaker-phone operations. Table 1 lists the various ISModem chips and their features.

**Table 1. ISModem Features**

| Part Number | Fax    | Data     | Handset | TAM | Speaker Phone |
|-------------|--------|----------|---------|-----|---------------|
| Si2417      | ≤V.17  | —        | ✓       | —   | —             |
| Si2418      | ≤V.17  | —        | ✓       | ✓   | ✓             |
| Si2419      | ≤V.17  | ≤V.32bis | ✓       | —   | —             |
| Si2429      | ≤ V.29 | —        | ✓       | ✓   | ✓             |
| Si2435      | ≤V.34  | —        | ✓       | —   | —             |
| Si2436      | ≤V.34  | —        | ✓       | ✓   | ✓             |
| Si2437      | ≤V.34  | ≤V.34    | ✓       | —   | —             |
| Si2438      | ≤V.34  | ≤V.34    | ✓       | ✓   | ✓             |
| Si2439      | —      | ≤V.34    | ✓       | ✓   | ✓             |
| Si2494      | —      | ≤V.92    | ✓       | ✓   | ✓             |

## 3. Setup and Evaluation

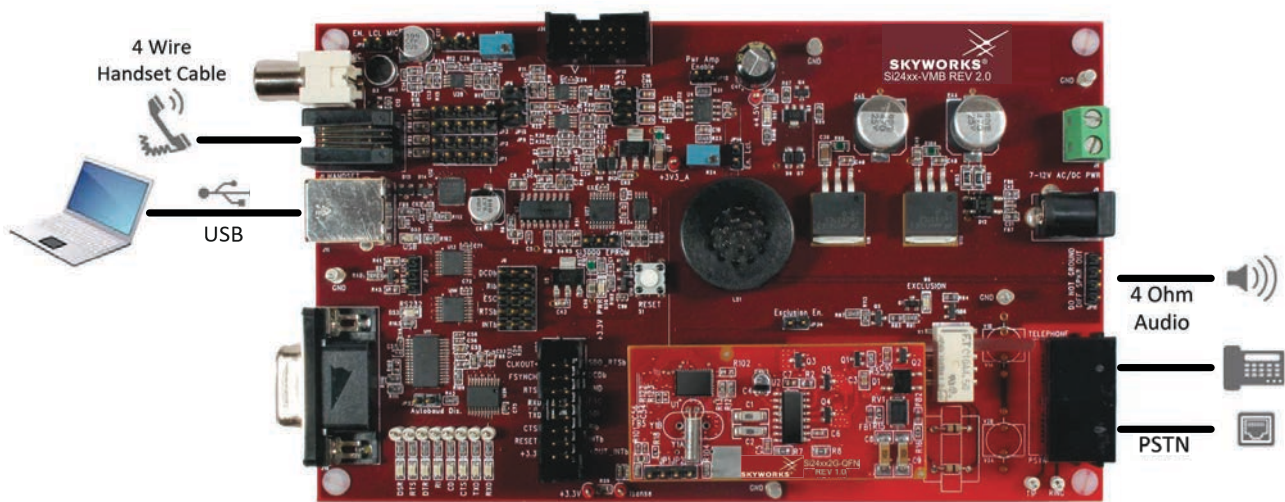
This section explains how to set up the Voice ISOmodem EVB for evaluation as an RS-232 or USB interface. Jumper settings and system interconnections are given, as well as the use of a demonstration and test application provided called UltraCOM.

See the following documents for additional technical details

- Si2494/39/38/37/36/35/29/19/18/17 data sheets
- "AN244: Fax Modem Designer's Guide"
- "AN93: Data Modem Designer's Guide"

Diagrams and tables are provided here that define the operation of all the jumpers, settings and connectors, as well as their default states.

A typical global voice EVB as it arrives from the factory can be connected into a system by using only four cables.



**Figure 4. Global Voice ISOmodem EVB Connection**

The UltraCOM application can be used to demonstrate:

- Telephone Operation.
- Speakerphone Operation
- Telephone answering machine operation.

Fax Operation can be demonstrated but requires a fax driver application.



# Global Voice ISOModem-EVB

Table 2 explains the use of the data related jumpers. It also shows the default state.

Check all jumper settings on the EVB before applying power.

These default data related jumper settings shown below configure the EVB for USB serial operation with auto baud as a default. Any terminal emulator program configured to communicate through the virtual com port created by the provided driver can be used to communicate with the EVB. There are no BAUD settings required since the modem has an auto baud feature.

Customers that want to use an RS232 port only need to change JP23 and connect an RS232 cable to the host. As with the USB configuration, any terminal emulator program configured to communicate through a PC COM port can be used to communicate with the EVB.

Although the user can exercise many of the modem commands (including voice features) using a terminal emulator program, a fax driver is required to implement fax send/receive functionality.

This EVB also provides UltraCOM, which can act as a terminal emulator and as a sound feature demonstration vehicle. See Appendix I for an UltraCOM quick start guide that shows how to run this demonstration.

**Table 2. Digital Data Related Jumpers**

| Jumper Number | Pins Jumped                 | Default State | Comments  |
|---------------|-----------------------------|---------------|---|
| JP23          | 1-2                         | ✓             | USB selected  |
|               | 2-3                         |               | UART selected   |
| J6            | 1-2, 4-5, 7-8, 10-11, 13-14 | ✓             | Typical Si2438/37/36/35/29/19/18/17 FT setup (24 pin pkg) |
| JP33          | 1-2                         |               | Disable Auto baud   |
| JP24          | 1-2                         |               | Enable EEPROM   |
|               | 2-3                         | ✓             | Enable Si3000   |

# Global Voice ISModem-EVB

Table 3 explains the use of the analog audio oriented jumpers and adjustments, while showing the default state. These jumpers and adjustments can be used to tailor the operation of the global fax EVB so that it interfaces well with the users host system and provides the maximum flexibility as the choice of loudspeaker microphone and alternate sources of sound.

**Table 3. Sound Related Jumpers**

| Jumper Number                            | Pins Jumped | Default State | Comments                                      |
|--|-------------|---------------|---|
| JP34                                     | 1-2         |               | Enable Exclusion Relay                        |
| JP1                                      | 1-2         | ✓             | Handset pin 4 connection (ground)*            |
| JP2                                      | 1-2         | ✓             | Handset pin 3 connection (ground)*            |
| JP3                                      | 4-5         | ✓             | Handset pin 2 connection (earpiece signal)*   |
| JP4                                      | 2-3         | ✓             | Handset pin 1 connection (mouthpiece signal)* |
| JP24                                     | 1-2         |               | Enable EEPROM (factory use only)              |
|  | 2-3         | ✓             | Enable Si3000                                 |
| JP5                                      | 1-2         | ✓             | Variable mic gain = 6 to 34 dB                |
|  | 3-3         |               | Fixed mic gain = 21 dB                        |
| JP6                                      | 1-2         | ✓             | Mic to input mixer                            |
| JP15                                     | 1-2         |               | External Line In to input mixer               |
| JP9                                      | 1-2         |               | AOUT to input mixer                           |
| JP8                                      | 1-2         | ✓             | Connects on board mic                         |
| JP10                                     | 1-2         |               | AOUT to power amp mixer                       |
| JP7                                      | 1-2         | ✓             | Si3000 line out to power amp mixer            |
| JP13                                     | 1-2         |               | Aux Input to power amp mixer                  |
| JP14                                     | 1-2         |               | On Board Speaker connected                    |
| JP12                                     | 1-2         | ✓             | Enable Pwr Amp.                               |
| <b>*Note:</b> For typical Cisco handset. |             |               |   |



## 3.2. I/O and Adjustments

Table 4 explains the use of the adjustable analog audio-oriented controls as well as their default state.

**Table 4. Audio Adjustments**

| Ref | Default State | Comments                                       |
|-----|---------------|--|
| R13 | 4 turns CW    | Mic Preamp Gain 6 dB to 34 dB                  |
| R24 | CCW(21.4 dB)  | Power Amp Gain 21.4 dB to 46.4 dB WRT line out |

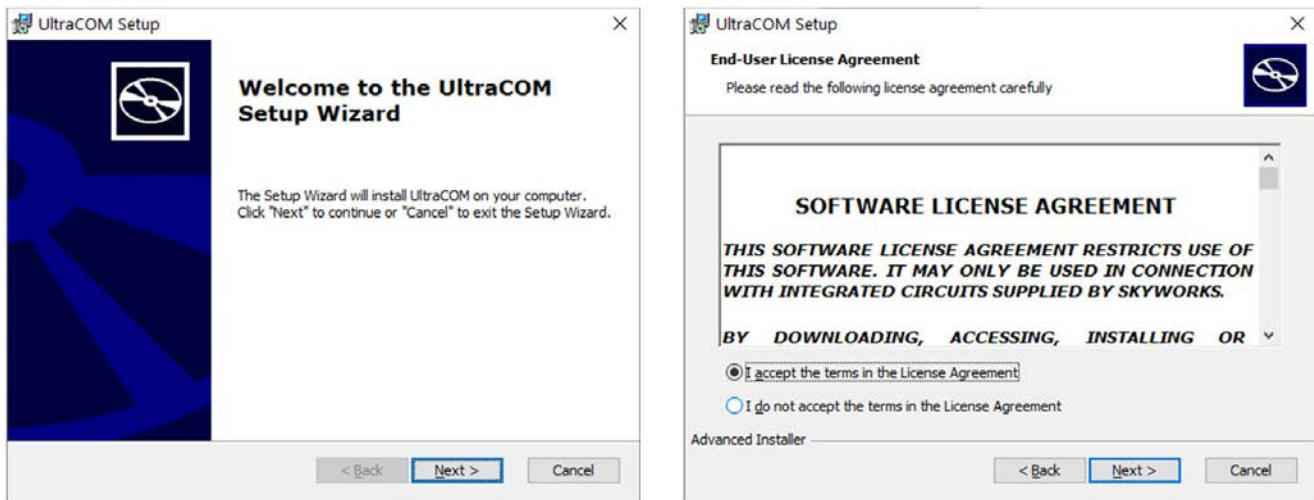
## 3.3. USB Interface Data Link Setup Quick Start

1. Set jumpers according to the default configuration shown in Table 2 on page 7.
2. Connect:
  - Install USB cable and provided driver.
  - RJ-11 to phone line or test box.
3. Open the terminal emulator program, and apply power to the EVB.
4. Select the serial COM channel used.
5. Type "AT" followed by a carriage return. (Autobaud automatically adjusts modem DTE speed and protocol.). The modem should echo "AT" and then send the "OK" response code.
6. Type ATH1 and ATH0 to seize and release the telephone line.

## 3.4. UltraCOM Installation Instructions

Perform the following steps:

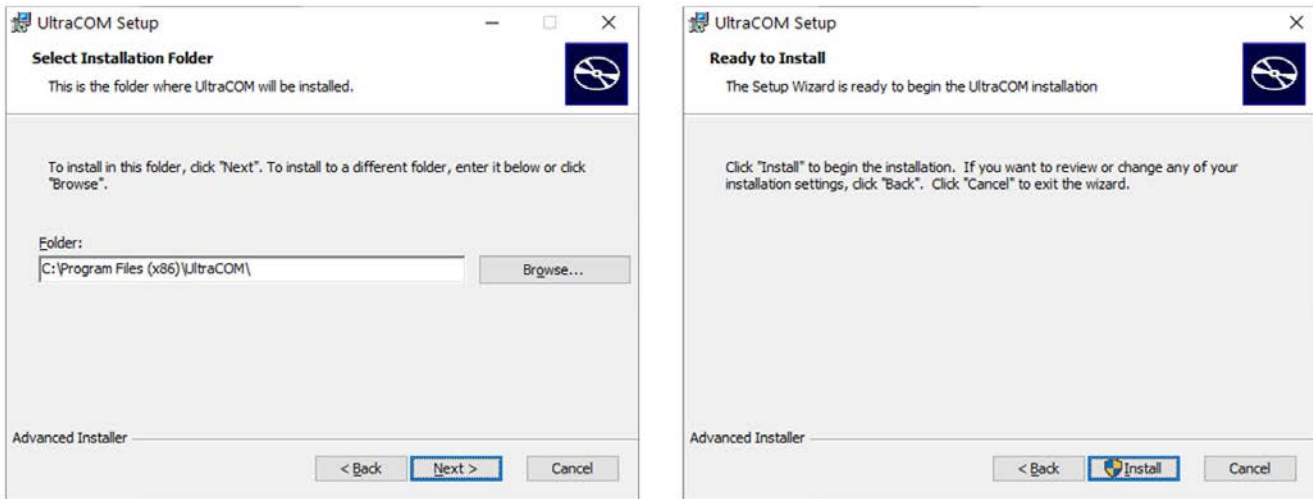
1. Double-click the ultracom.msi file to launch the installer. Click Next.
2. Read and Accept the End-User License Agreement. Click Next.



**Figure 6. UltraCOM Setup Wizard and End-User License Agreement**

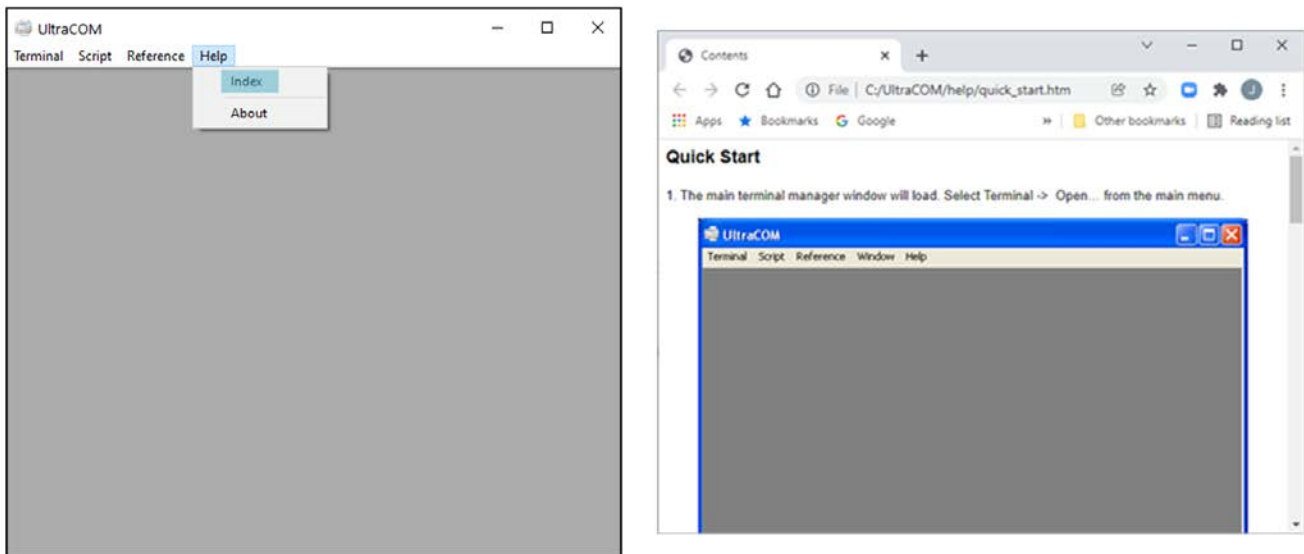
3. Accept the default installation path. Note that most files are actually installed in a fixed directory C:\UltraCOMM. Click Next.
4. Click Install to start the installation.

# Global Voice ISOmodem-EVB



**Figure 7. Select Installation Folder Dialog Box and Install Dialog Box**

- After the installation is complete, click Finish to complete the installation.
- UltraCOM may be launched from the desktop link or from the Start menu:  
Start Programs → UltraCOM → UltraCOM
- From the UltraCOM main menu, select **Help** -> **Index**. This will load the help file in a Web Browser.
- Select the Quick Start link and review the information.



**Figure 8. UltraCOM Main Menu Help and Quick Start**

## 3.5. USB Interface Data Link Setup Quick Start

1. Go to [www.silabs.com](http://www.silabs.com) and search and install the latest **CP210x VCP Windows Drivers**. This will be used later when the Si24xxVMB-EVB is plugged into a USB Port. Extract the ZIP file first then double-click **CP210xVCPInstaller\_x64** to install.

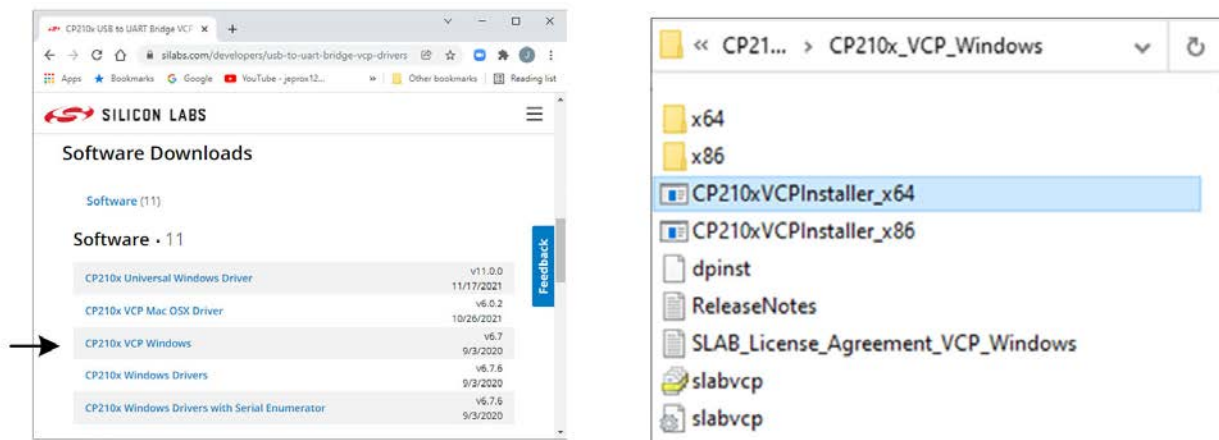


Figure 9. Install Silicon Labs CP210x VCP Windows Drivers

2. Set jumpers according to the default configuration shown in Figure 5.
3. Connect RJ-11 to phone line or test box.
4. Connect USB cable to PC.
5. Once the USB cable is connected, open the Windows **Device Manager**. There should be a **Si24xx-EVB USB Composite Device** in **Other devices**. Right click on **Si24xx-EVB USB Composite Device** select **Update Driver**. Then select **Browse my computer for drivers** then **Let me pick from a list of available drivers**. Scroll and look for **Ports (COM and LPT)**. Look for **“Silicon Labs CP210x USB to UART Bridge”**. Select it, Click Next and complete the driver update.

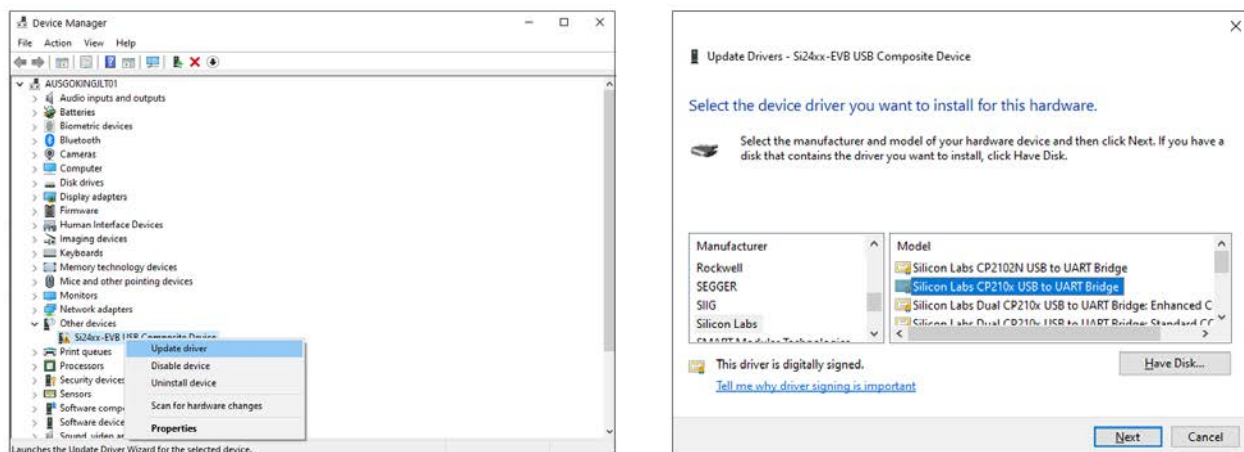


Figure 10. Update “Si24xx-EVB USB Composite Device” to “Silicon Labs CP210x USB to UART Bridge” Driver

6. Open the terminal emulator program.
7. Select one of the USB Virtual Com Port numbers in the emulator program's user interface.
8. Type “AT” followed by a carriage return. (Autobaud automatically adjusts modem DTE speed and protocol.)
9. The modem should echo "AT" and then send the "OK" response code.
10. Type ATH1 and ATH0 to seize and release the telephone line.

# Global Voice ISOModem-EVB

## 3.6. Sound Demonstration Using UltraCOM Quick Start Guide

### Step 1: Perform the Quick Start USB Interface Data Link Setup Quick Start

1. Set jumpers according to the default configuration shown in Figure 5.
2. Install the USB driver for your operating system.
3. Connect:
  - USB cable to PC
  - RJ-11 to phone line or test box
4. Open the terminal emulator program.
5. Select one of the USB Virtual Com Port numbers in the emulator program's user interface.
6. Type "AT" followed by a carriage return. (Autobaud automatically adjusts modem DTE speed and protocol.). The modem should echo "AT" and then send the "OK" response code.
7. Type ATH1 and ATH0 to seize and release the telephone line.

### Step 2

Add connections to a loudspeaker and a handset as shown in the following diagram.

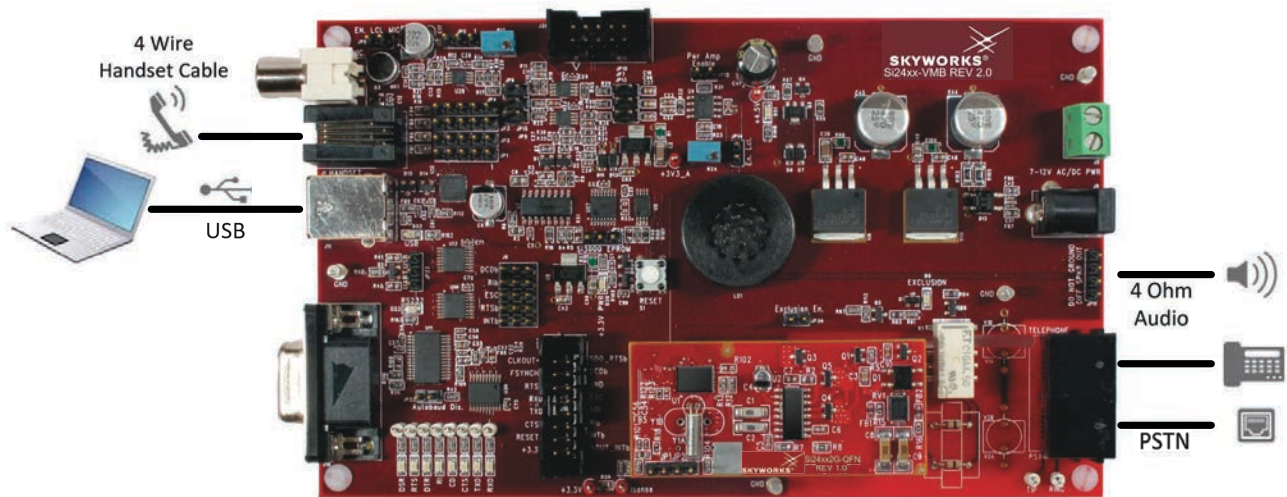


Figure 11. Sound Demonstration Hardware Interconnect Guide

### Step 3:

1. Install UltraCOM (provided in this kit) on Windows XP
2. Launch UltraCOM.

# Global Voice ISOmodem-EVB

## Step 4:

Select "Terminal-Open" making sure the serial configuration is as shown (except for port selection), then select OK.

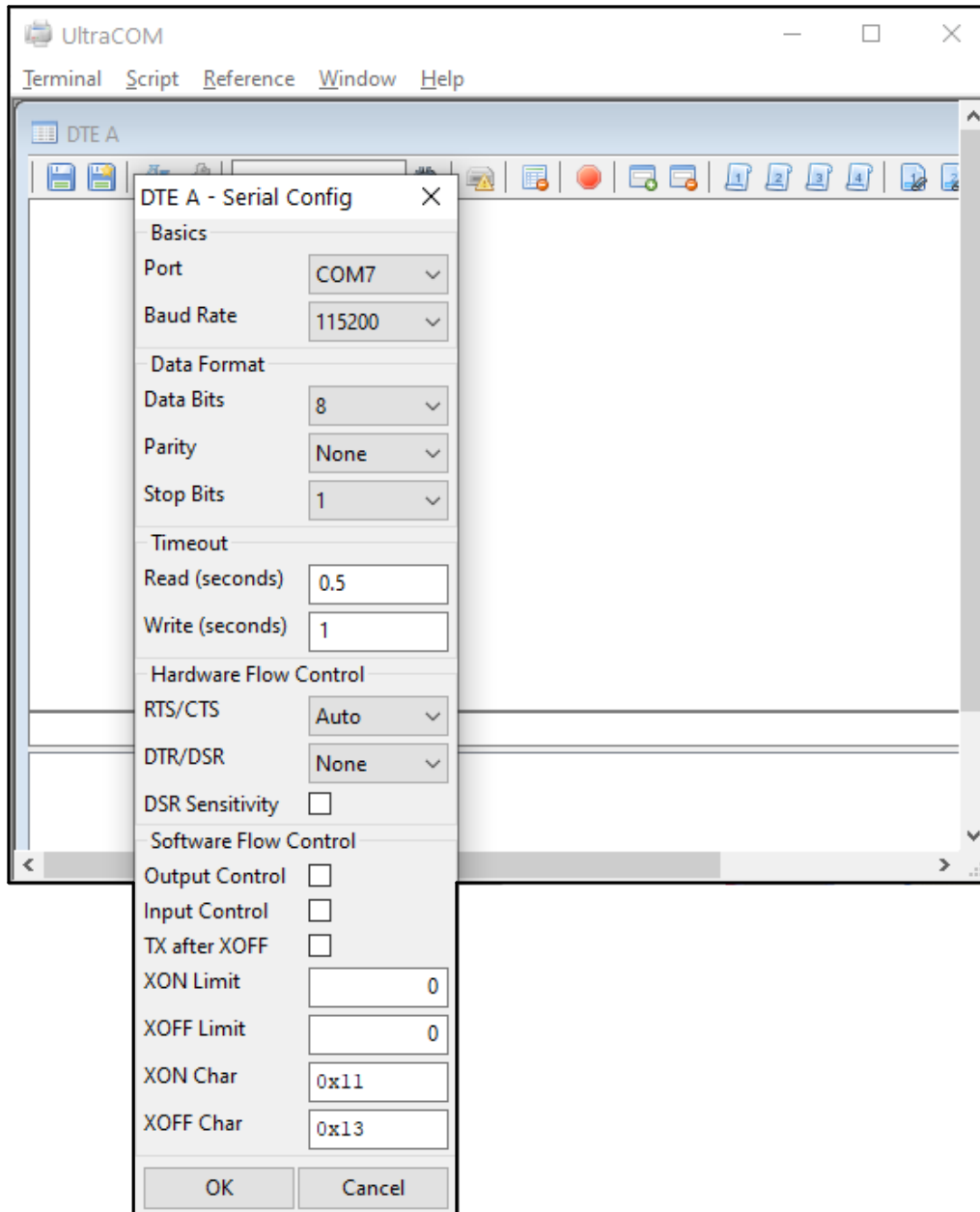


Figure 12. UltraCOM Serial Configuration Dialog Box

# Global Voice ISModem-EVB

## Step 5:

1. Select Open Plug-In (The Green Icon) in the screen snapshot that follows.
2. Respond OK to "Load Plug-in" "24xx Voice Functions"

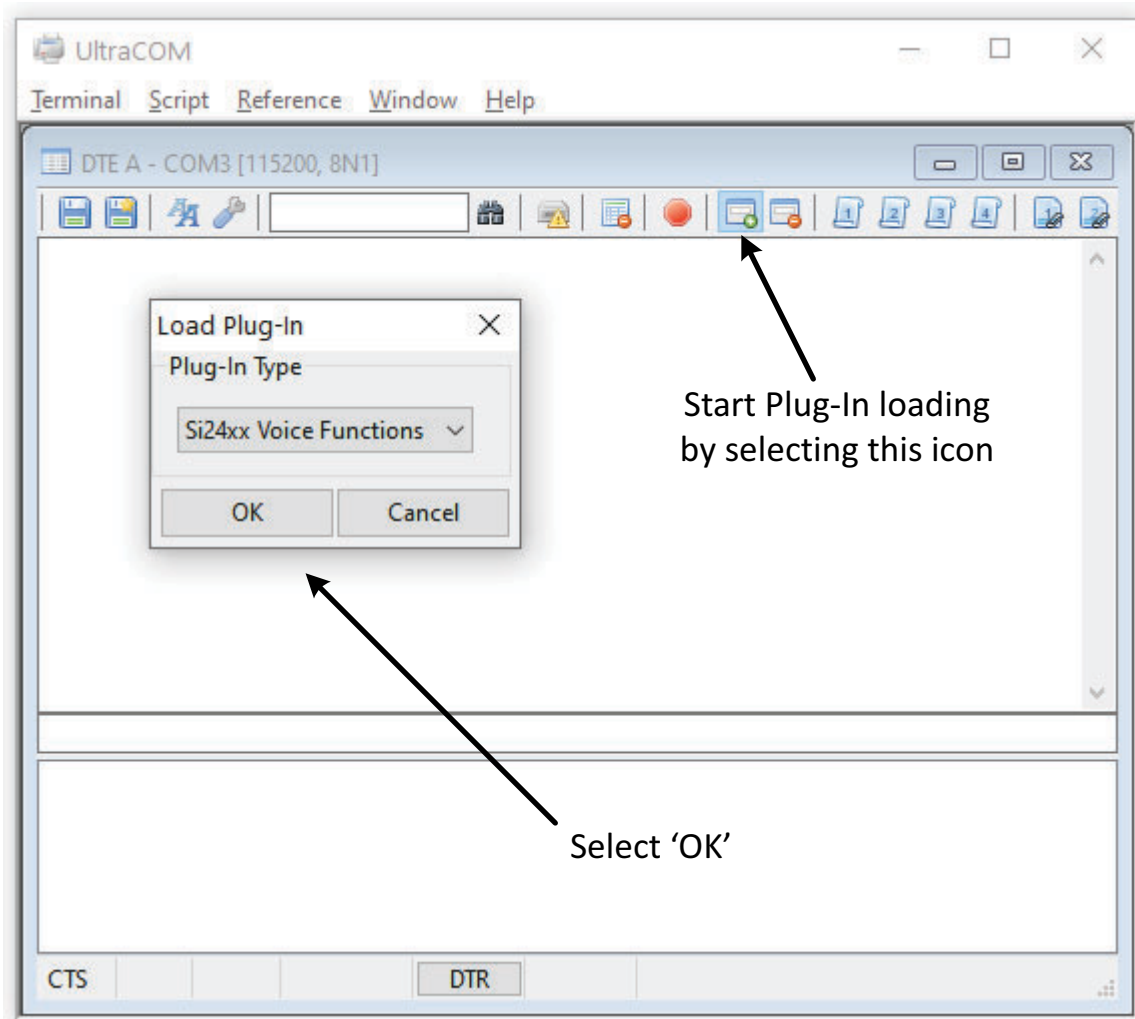


Figure 13. UltraCOM Load Plug-In Dialog Box

# Global Voice ISOmodem-EVB

## Step 6:

Wait for the screen below to open and the patch to load.

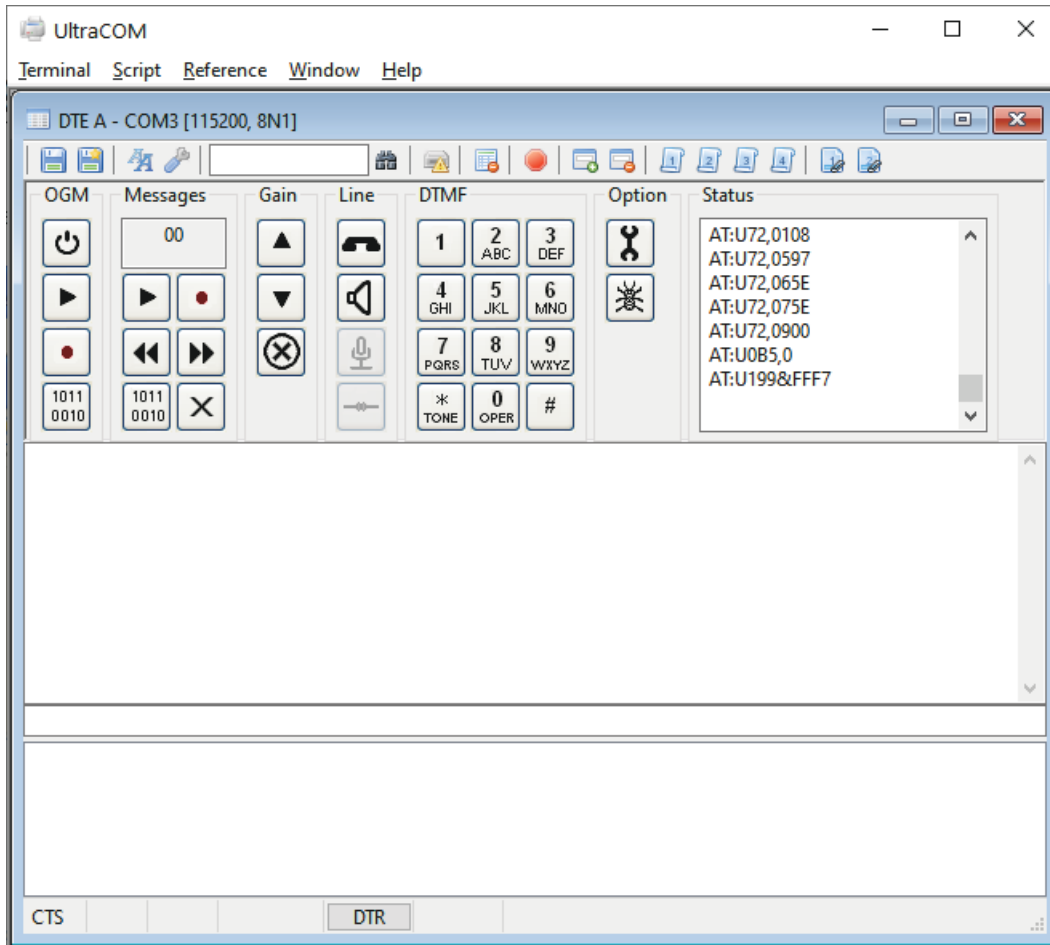


Figure 14. UltraCOM Plug-Ins Patch Load Phase

# Global Voice ISModem-EVB

## Step 7:

Use the interface above to do the following:

- Go off hook with the handset by selecting the handset symbol
- Select the speakerphone button to start that mode.
- Dial a DTMF number.
- Note the following suggestions.
  - Use the external off-board speaker for speakerphone functionality
  - Use the on-board electret for the microphone.
  - Use the PSTN, a PBX or a Line Simulator for the phone line.

## Changing the Patch Used in the UltraCOM Plug-In

1. Load Plug-in by selecting Plug-in's Icon

2. Select Preferences (Wrench Icon)

3. Select Isomodem Options Tab

4. Cut and Paste new patch text into this editable area

```
ATZ
ATE0+FCLASS=0
ATPID
ATPR00,7b5d,fc9b,7b5f,fc90,7b59,fc9e,7b5b
ATPR07,fc94,7b55,fc72,7b57,fc70,7b51,fc6d
ATPR0e,7b53,fc52,7b4d,fc55,7b4f,fc2b,7b49
ATPR15,fb23,7b4b,fb30,7b45,fb04,7b47,fb0e
ATPR1c,7b41,fb75,7b43,fbac,7b4d,fbcd,7b7f
ATPR23,fa86,7b79,faa0,7b7a,fb7e,7b75,fa7a
ATPR2a,7b77,fa65,7b71,fa16,7b73,fa1a,7b6d
ATPR31,fa11,7b6f,fa28,7b69,fa22,7b6b,fbcd
ATPR33,7b65,fa50,7b57,fa6c,7b61,fb92,7b53
ATPR3f,fb9e,af6d,af6c,af6c,af6c,af6c,af6c
ATPR47,8c1c,7b13,8c8e,6982,8b40,c794,fb90
ATPR4e,c59e,8c14,7b0d,82c5,6596,8b4c,c79c
ATPR55,fb08,c58a,8c0c,7b05,a1,b07f,563a,4381
ATPR5d,fa48,8b9f,af3c,7b3d,fb76,b847,5602
ATPR6d,e109,e18c,c7af,66ca,4b7,7b34,e491
ATPR6b,b04e,500a,e3bd,e4b2,c78c,66ad,4ae
ATPR72,7b3f,e4ad,b051,5614,e2ab,fc16,b8b9
ATPR7b,491a,e2a7,374,c7a0,398c,7b32,370,b820
ATPR81,4b54,e23f,fbca,b0a1,54e4,b039,b05d
ATPR8b,7b17,e254,fc1c,b451,e1d9,fbca,0711
ATPR8f,453,7bcdf,fc06,e1c7,fc04,602b,47a,b836
ATPR97,7bca,e5c4,b044,6551,8290,c744,a231
ATPR9d,fa42,b47f,47c,b627,47a,7b4a,fbaf,b469
ATPR9e,34e,c76e,f275,6277,6681,47a,b896,56c
```

5. Select OK

6. Close the Preferences Dialog Box.

7. Close the Plug-In, then reopen the Plug-In. This will cause the new patch to be loaded into the chip

Figure 15. Changing the UltraCOM Plug-In Patch



## 3.7. Power Requirements

The EVB has an onboard diode bridge, filter capacitor, and voltage regulators. Power can be supplied from the USB connection or a source capable of providing 8.5–13.5 V dc or 6–9.5 VRMS peak ac and at least 300 mA. A suitable wall mounted 9 V supply is provided with the kit.

Of the 300 mA required current 200 mA is used to drive the loudspeaker and may be removed from the requirement if the power amp is enabled by placing a jumper on JP12.

Power may be applied to the Voice ISModem EVB through the screw terminals, J8, the 2 mm power jack, J9, or the USB cable. The modem cable may be used to supply power even if the modem is configured for RS-232 operation.

The power consumed by the audio section is limited with an active limiter. This circuit will protect the power sources when the sound is overdriven or if the amplifier output is shorted. The power amplifier is also naturally protected with thermal limiting. Digital operations such as host to modem serial data transfer or the modem telephone line operations are unaffected by the limiter operation.

Note that the modem will take power from wherever it finds it and that it is possible to use the RS232 port for signaling and the USB for power or to use the USB for signaling and to provide power through the provided external 9 V supply.

## 3.8. EVB Part Numbers

The Voice ISModem evaluation boards are offered in multiple versions. The first four numbers indicate the system-side device. The options include speed and various audio capabilities as well as package and temperature. See Figure 16:

**S i 2 4 3 8 F T 1 8 - E V B**  
**S i 2 4 3 7 F T 1 8 - E V B**  
**S i 2 4 3 6 F T 1 8 - E V B**  
**S i 2 4 3 5 F T 1 8 - E V B**  
**S i 2 4 1 9 F T 1 8 - E V B**  
**S i 2 4 1 8 F T 1 8 - E V B**  
**S i 2 4 1 7 F T 1 8 - E V B**  
**S i 2 4 9 4 A F M 1 8 - E V B**  
**S i 2 4 3 9 A F M 1 8 - E V B**

Figure 16. EVB Part Number Example

# Global Voice ISModem-EVB

## 4. Voice ISModem EVB Functional Description

The Voice ISModem EVB is a multipurpose evaluation system. The modem daughter card illustrates the small size and few components required to implement an entire controller-based modem with global compatibility. The daughter card can be used independently of, or in conjunction with, the motherboard. The motherboard adds features that enhance the ease of evaluating the many capabilities of the Si24xx ISModem.

### 4.1. Motherboard

The motherboard provides a convenient interface to the Si24xx ISModem DC (daughter card). The versatile power supply allows for a wide range of ac and dc voltages to power the board.

A versatile digital IO system allows either a USB virtual com port to be used to interface to the board or an RS-232 transceivers with a DB9 connector allowing the EVB to be easily connected to a PC or other terminal device. A jumper option allows direct access to the LVCMOS/TTL level serial inputs to the Si24xx, bypassing the RS-232 transceivers or USB interface. This is particularly useful for directly connecting the Si24xx to embedded systems.

The motherboard provides connectivity to a telephone line or a phone extension via a pair of RJ11 connectors. The extension connector may be actively excluded by an onboard relay.

A switch and a connector is provided on the motherboard that is read by the modem firmware and can perform the hookswitch function.

The motherboard also contains a complete sound system including microphone, loudspeaker and handset connector. The sound system includes easy to adjust gain controls and extra inputs that allow system generated noises to be added to the sound.

A functional block diagram of the system as a whole can be seen below.

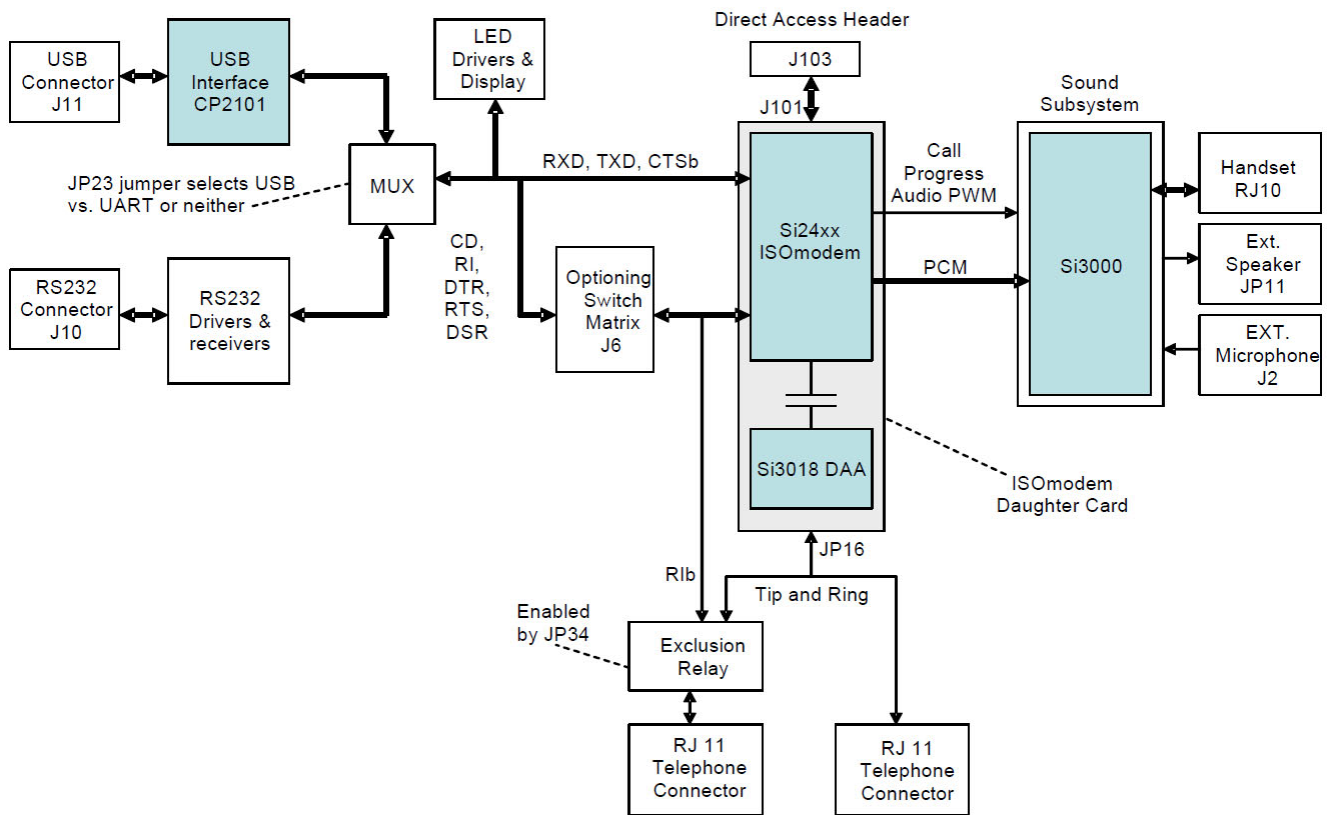


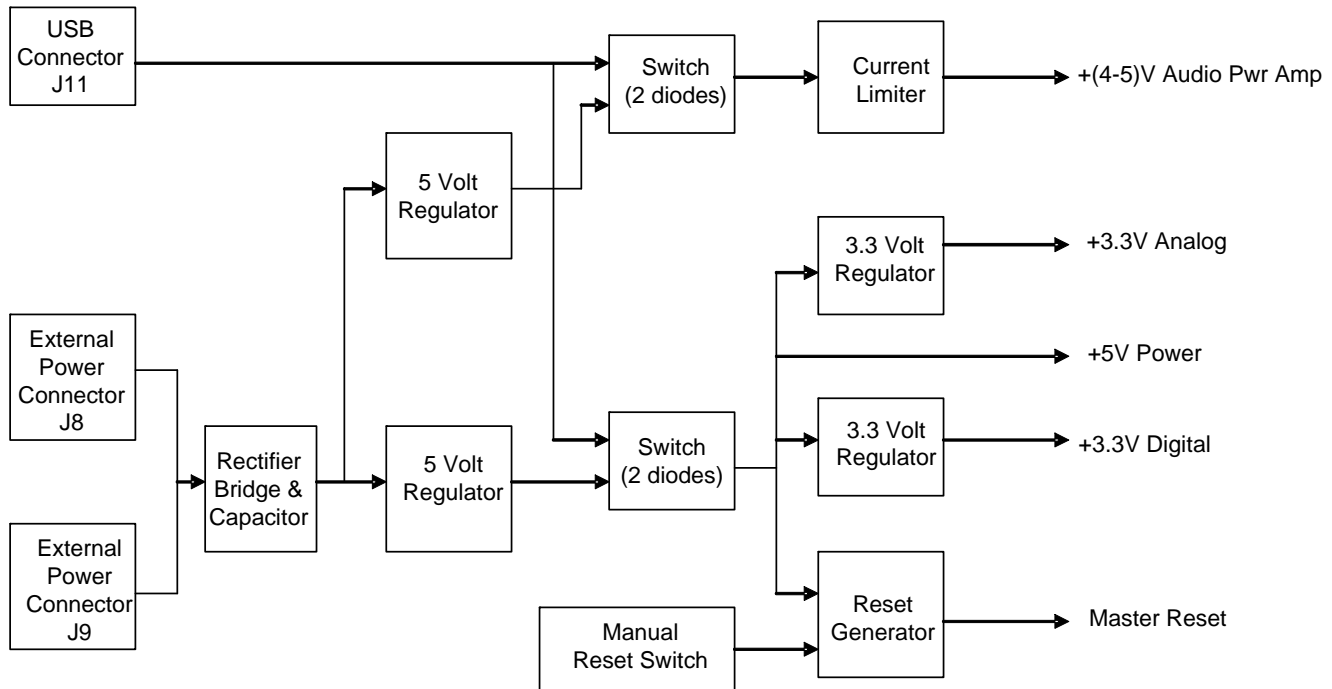
Figure 17. Sound System Block Diagram

# Global Voice ISOModem-EVB

## 4.1.1. Power Supply

### 4.1.1.1. Power Distribution

The power distribution diagram for the global voice EVB can be seen in Figure 18 below. Analog and Digital voltages are separately regulated while the audio power amplifier supply is current limited to prevent accidental overload and disruption of the digital supplies.



**Figure 18. Power Distribution Diagram**

The onboard full-wave rectifier and filter ensure the correct polarity is applied to the Voice ISOModem EVB.

Daughter card 3.3 V power is supplied through voltage regulator U3. Daughter card current can be measured by connecting a DVM across R59, a 1  $\Omega$  current sensing resistor in the 3.3 V supply line to the daughter card.

The input voltage to either J8 or J9 must be between 8.5 and 13.5 V dc, or 6 and 9.5 VPEAK ac. The motherboard includes a diode bridge (D12) to guard against a polarity reversal of the dc voltage or to rectify an ac voltage. The power source must be capable of continuously supplying at least 100 mA. The voltage regulator, U10, can provide 5 V for the motherboard and the input for voltage regulator U3, which outputs 3.3 V for use on the motherboard and to power the daughter card. Alternately, power may be supplied to U3 through D11 from the USB port.

The power consumed by the audio section is limited with an active limiter. This circuit will protect both power sources and the audio amplifier when the sound is overdriven or if the amplifier output is shorted. Digital operations such as host to modem serial data transfer or the modem telephone line operations are unaffected by the limiter operation.

Two indicator LEDs indicate main power (+5 V) and audio amp power (~+4.5 V). See Figure 15 for locations. You will notice the one for the audio power blinking when audio is loud and clipping. This is normal.

# Global Voice ISModem-EVB

---

## 4.1.2. Reset Circuitry

The Si24xx requires a reset pulse to remain low for at least 5.0 ms after the power supply has stabilized during the power up sequence or for at least 5.0 ms during a power-on reset. Most production Si24xx modem chipset applications require that RESET be controlled by the host processor. Certain Si24xx operation modes, including power down, require a hardware reset to recover.

The Voice ISModem EVB contains two reset options, an automatic power-on reset device, U18 (DS1818) (default), and a manual reset switch (S1) to permit resetting the chip without removing power. A reset, regardless of the mechanism, causes all modem settings to revert to factory default values.

## 4.1.3. DS1818

The DS1818 is a small, low-cost device that monitors the voltage on VD and an external reset pushbutton. If VD drops below 3.0 V, the DS1818 provides a 220 ms active-low reset pulse. On power up, the DS1818 also outputs an active low reset pulse for 220 ms after VD reaches 90% of the nominal 3.3 V value. The DS1818 outputs a 220 ms reset pulse any time the power supply voltage exceeds the 3.3 V 10% window.

## 4.1.4. Manual Reset

The manual reset switch (S1) performs a power-on reset. This resets the Si24xx to factory defaults without turning off power. Pressing S1 activates the reset monitor in the DS1818 and produces a 220 ms active low reset pulse.

## 4.1.5. Interface Selection

The serial interface of the Voice ISModem EVB can be connected to a computer, terminal, embedded system, or any other data terminal equipment (DTE) via a standard RS-232 interface, USB interface, or through a direct TTL serial interface.

At the heart of this capability is the MUX and the jumper that controls it: JP23.

**Table 5. Board Configuration**

| JP23           | Modem Signalling Done Via |
|----------------|---------------------------|
| X              | Header, J103              |
| 1–2 Jumped     | USB Port                  |
| 2–3 Not Jumped | Serial Port               |

### 4.1.5.1. RS-232 Interface

The serial cable connects to J10 on the motherboard and provides a data link the PC or embedded host processor. Moving the jumper on JP23 enables the RS232 interface or the USB interface.

The Maxim MAX3237 transceiver interfaces directly with the TTL levels available at the serial interface of the Si24xx and, using internal charge pumps, makes these signals compatible with the RS-232 standard. The RS-232 transceiver on the Voice ISModem EVB can communicate at rates between 300 bps and 1 Mbps. This simplifies the connection to PCs and other data terminal equipment (DTE).

The signals available on the Voice ISModem EVB serial interface (DB9 connector) are listed in Table 6 along with the various signal names used and both connector pin numbers and ISModem package pin numbers.

**Table 6. DB9 Pin Connections (J10)**

| J10 Name                         | J10 Symbol | J10 Pin | ISOModem Pin Number | ISOModem Signal Name |
|----------------------------------|------------|---------|---------------------|----------------------|
| Carrier Detect                   | CD         | 1*      | See Note*           | DCD/EESD             |
| Received Data                    | RXD        | 2       | 9                   | RXD                  |
| Transmit Data                    | TXD        | 3       | 10                  | TXD                  |
| Data Terminal Ready              | DTR        | 4*      | See Note*           | ESC/RI               |
| Signal Ground                    | SG         | 5       | 6                   | GND                  |
| Data Set Ready                   | DSR        | 6*      | See Note*           | INT/AOUT             |
| Ready to Send                    | RTS        | 7*      | See Note*           | RTS/RXCLK            |
| Clear to Send                    | CTS        | 8       | 11                  | CTS                  |
| Ring Indicator                   | RD         | 9*      | 17                  | RI                   |
| <b>*Note:</b> JP6 jumper option. |            |         |                     |                      |

#### 4.1.5.2. USB Interface

The USB cable connects to J11 on the motherboard and provides both data and power.

This operation mode uses the standard factory jumper settings illustrated in Table 2 on page 7.

Installing a jumper on J23 enables the USB interface and disables the RS-232 interface. The USB interface is provided by U12.

#### 4.1.5.3. Direct Access Interface

The direct access interface header (J103) can be used to connect the motherboard to an embedded system.

If J103 is used in this manner, it is necessary to remove the jumper from JP23 to disable both the RS-232 and USB interface and prevent signal contention. See Table 5.

In this mode, the motherboard continues to supply a few other signals and functions such as power (derived from J8, J9, or USB) as well as a power-on reset signal and the telephone line connection via the exclusion relay contact and the RJ-11 jack connected to the modem line side.

J103 provides access to all the ISOModem system side signals available on the daughter card.

If the user wishes to go further and use his embedded system's power supply or reset line, he can remove the daughter card from the mother board and integrate it directly into his system.

# Global Voice ISModem-EVB

## 4.1.6. Exclusion Relay

The exclusion relay (Figure 19) on the motherboard allows the modem to turn on the relay and exclude the phone line connection from an auxiliary device such as a telephone connected to the second RJ11 socket. The relay is enabled via jumper JP34.

The control signal used is the one called R1b and is managed by special command sequences (see application notes AN93 or AN244). R1b goes low to turn on the relay via a driver transistor.

See the diagram below for the location of the connectors and the relay.

Note that the R1b signal must be kept high during the reset pulse, due to the use of this pin for special manufacturing functions. This demands that this pin drive either an NMOS relay driver transistor or a 3.3 V referenced buffer like the one used here.

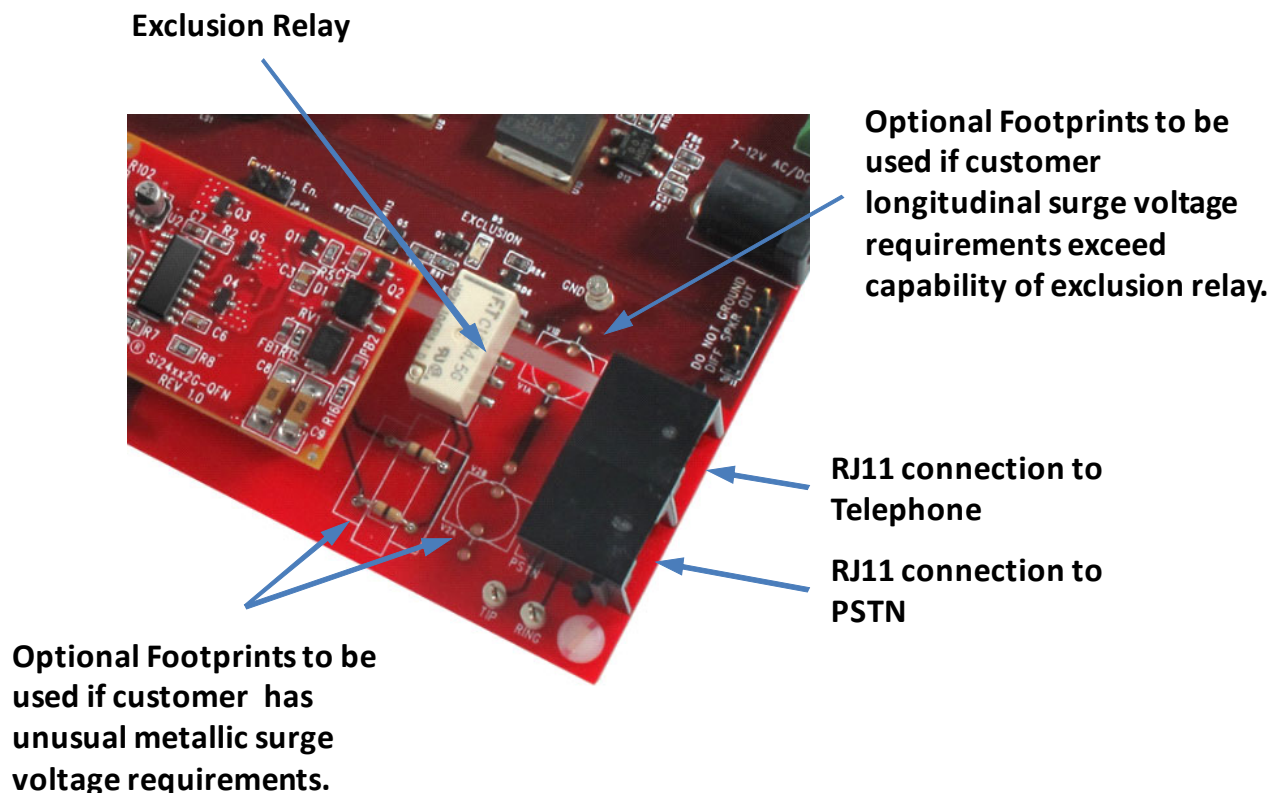


Figure 19. Exclusion Relay and Surge Protection

# Global Voice ISModem-EVB

## 4.1.7. Surge Protection Circuits

This evaluation board is designed to provide several possible levels of surge protection.

The ISModem alone does not need surge protection for a global implementation except for the components normally selected and implemented on the daughter card. These are the P3100B sidactor and the Y2 caps used for C1, C2, C8, and C9.

There are two basic reasons a customer may enhance this surge protection. The first is to protect the telephone exclusion relay, which often does not meet the same surge capability of the Y2 caps, and the second is to meet enhanced requirements put forth by customers and/or corporate guidelines.

Thus, footprints for either low-current 800 V or 1 kV high-current longitudinal GDTs are in place on the board (see Figure 20) to protect either the typical 2.5 kV exclusion relay or the 5 kV capacitors on the daughter card. But, note that the relay used on this motherboard is 5 kV rated (as are the capacitors) and does not need special protection. Regardless of which GDT is used by the customer, it is required to stay at 1 kV or less to control stress on the ISModem during the GDT arcing process.

For extra metallic protection where higher current surges are mandated, a GDT combined with a common-mode choke acting as a delay element is recommended. The choke protects the Sidactor due to its leakage inductance, allowing the metallic GDT to fire first. There are two possible GDTs shown in Figure 20, and the optimal one can be chosen by the trading of cost for current carrying capacity. When populated with capable ceramic parts, the motherboard and modem can survive 15 kV/ 2  $\Omega$ , 1.2/50  $\mu$ s combination waveform, i.e. 7.5 kA surge current.

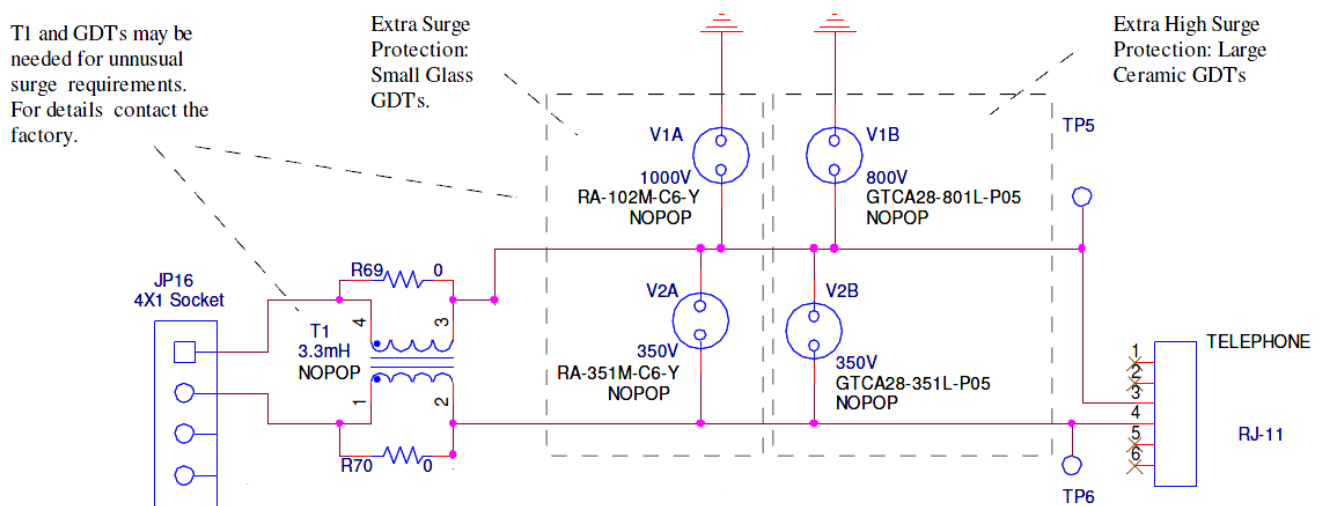
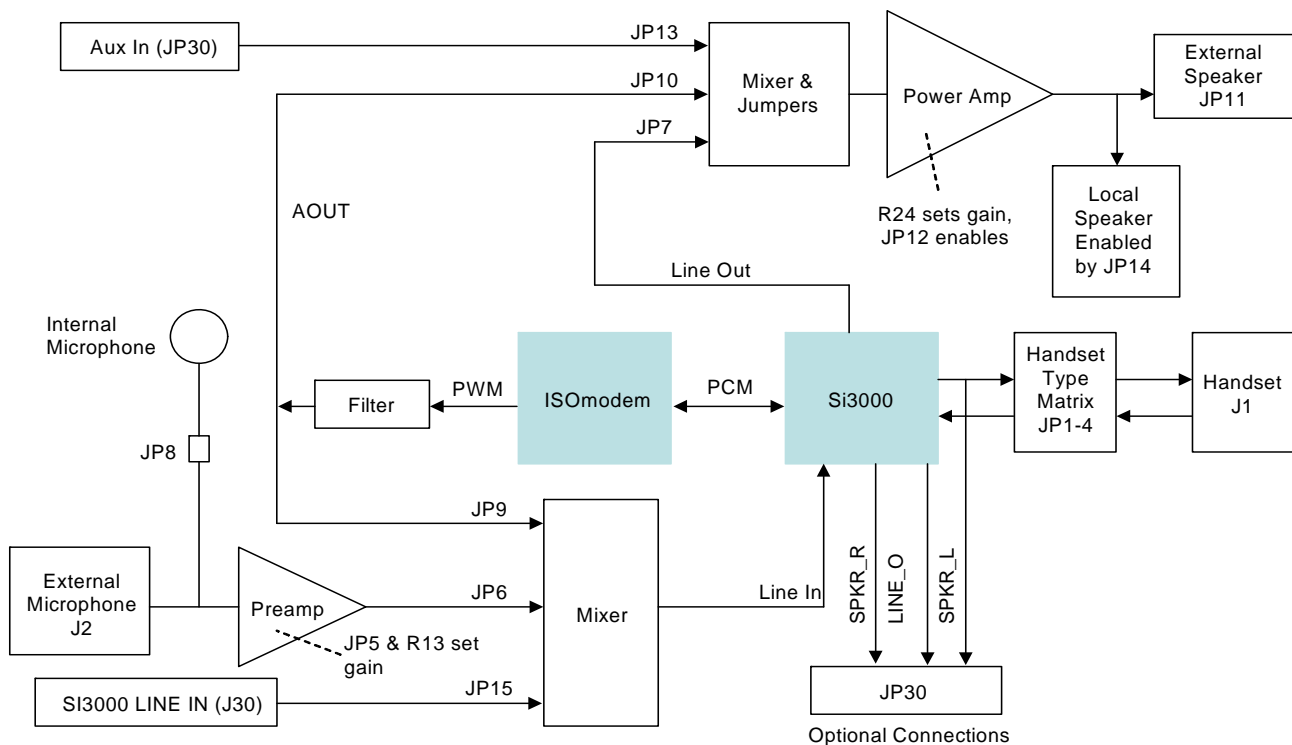


Figure 20. Optional Surge Protection Enhancement Circuits

# Global Voice ISModem-EVB

## 4.1.8. The Sound System



**Figure 21. Sound System**

The sound system on the board is centered around the Si3000 code chip shown in the above diagram, and is designed to demonstrate handset operation as well as speakerphone and telephone answering machine operation.

The Si3000 links to the ISModem via a PCM bus that allows the transfer of audio between the modem and the various audio "peripherals" that the Si3000 links to the following:

- Loudspeaker
- Handset microphone and speaker
- Microphone
- Line In
- Line Out

### 4.1.8.1. The Power Amplifier and Loudspeaker

The Power amplifier on the global Voice ISModem EVB can drive a 4  $\Omega$  speaker with 300 mW of audio that has 3 possible sources:

- Si3000 Line out
- Aux in, J30 signal SPKR\_AUX\_IN (e.g., a customer system's generated beeps or ticks)
- Call progress analog signal from modem. (ISModem's call dialing and negotiation tones)

The power amplifier itself is a low cost, rugged 3.3 V bridge device, the LM4862M. Similar parts are available from other vendors.

The sources listed above can be independently turned off by jumpers JP7, 10, and 13 or be gain controlled with no interaction, by changing the value of the summing node current injection resistors' values.

The inverted input of this chip is used as a summing junction for an audio mixer for the inputs mentioned above and with gain control effected via the feedback resistor R24.



# Global Voice ISOModem-EVB

The customer can change the resistor values when integrating the global Voice ISOModem EVB to his system, but should keep the RC formed by the 1  $\mu$ F input caps at a 50 Hz or higher corner to avoid a thump on turn on.

The power amplifier is enabled by JP12. This jumper can also be tied to a host signal to allow the host to shut down the amplifier.

## 4.1.8.2. The Call Progress Signal

The call progress tone discussed in this section comes from a PWM output pin on the ISOModem. The PWM signal is processed by a high-pass filter (see below).

When using this circuit it is important to extend the modem reset time to 10 ms. This is the time to charge C83 via the built in weak pull ups in case that the modem has been operating prior to reset and has put the AOUT into a PWM state that is 100% low. Any modifications to this circuit or reset time should be done keeping in mind the following rule: The ISOModem reset time and AOUT capacitive loading must be balanced so that the AOUT pin must have time to charge it's load to a high state.

It should be noted that when creating the call progress output with this circuit, about half the noise present in the audio bandwidth on the modem supply pins is passed along with the call progress tone. Consequently, the modem supply needs to be fairly clean.

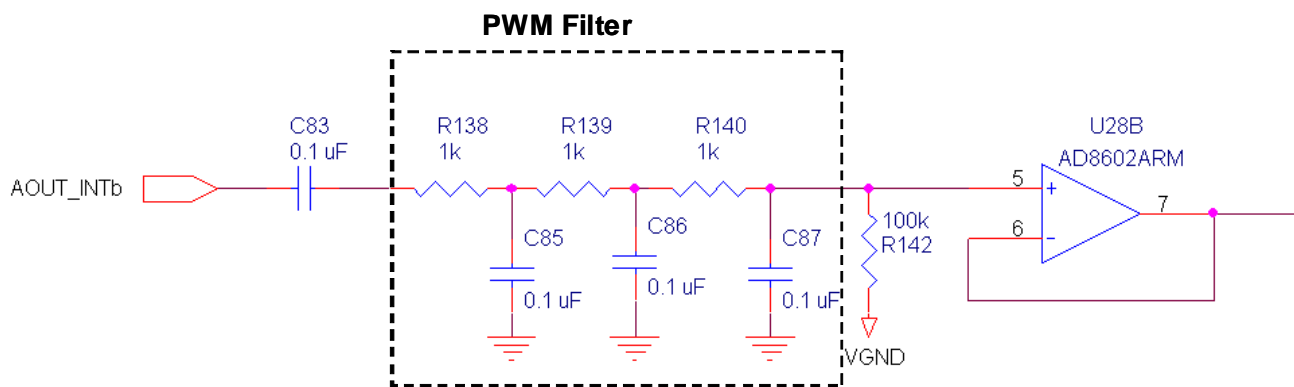


Figure 22. High-Pass Filter

## 4.1.8.3. The Input Mixer

An input mixer is also in the sound section of the global fax EVB. It drives the line input of the Si3000 with a mixture of the following possible sources:

- An electret microphone
- An auxiliary line input, J30 signal (Si3000\_LINE\_IN)
- Call progress analog signal from modem. (ISOModem's call dialing and negotiation tones)

## 4.1.8.4. The Speakerphone Electret Microphone

The electret microphone listed above is amplified by a preamp before this mixer. The gain of the microphone preamp can be adjusted via a potentiometer if JP5 pins 1 and 2 are jumpered, or is fixed by R12 and R15 when JP5 pins 2 and 3 are jumpered. It is intended for speakerphone use.

This electret microphone in this case can be either the microphone that comes installed on this board or an external one connected to the RCA jack J2. There is a dedicated electret power supply available to power either of these two microphones. The supply is configured so that it is easy for the user to adjust its voltage between 0 and 3.3 V by varying R27 and R30. This allows the user to most closely match the operation of his intended target. The onboard electret is enabled by JP8.

# Global Voice ISOmodem-EVB

## 4.1.8.5. The Handset

The handset signals are all processed by the Si3000 chip. The board provides a matrix of connectors to allow ANY handset pin configuration to be used. This jumper array is shown in Figure 23. The default setting is shown in Table 3 on page 8.

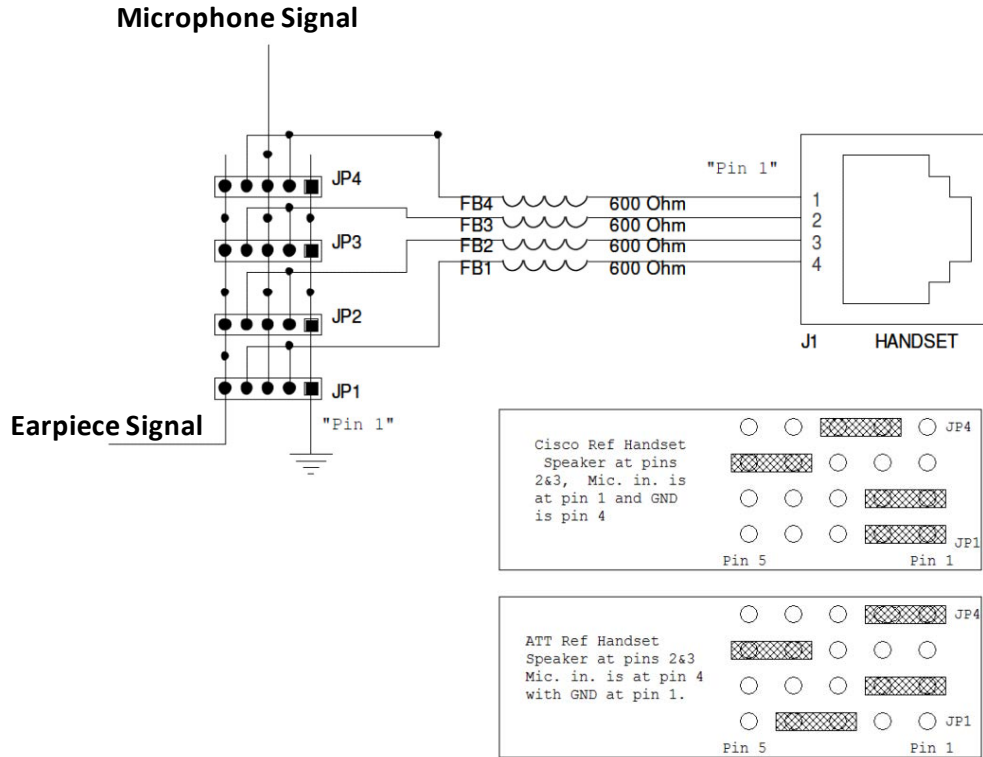


Figure 23. Handset

## 4.2. Daughter Cards

There are two types of daughter card; one is for QFN packaged modem chips, and one is for smaller packages. The daughter card itself is a complete modem solution perfectly suited for use in an embedded system.

The daughter card requires a 3.3 V supply capable of providing at least 35 mA. Be sure to provide the proper power-on reset pulse to the daughter card if it is used in the stand-alone mode.

The Voice ISModem EVB motherboard connects to the daughter card through two connectors, J101 and JP16. JP101 is an 8x2 socket providing connection to all Si24xx digital signals and a regulated 3.3 V power.

The Si24xx digital signals and power also appear at JP103 and they are LVCMOS and TTL compatible. JP103 can be used for monitoring purposes or may be used as the interface to the users host if JP23 has no jumper, thus disabling the on board digital multiplexer. In this case note that the PCM link to the Si3000 is still in place and is still connected to the daughter card signals.

JP16 is a 4x1 socket providing connection between the daughter card and both the RJ-11 phone jack and the exclusion relay on the motherboard.

The daughter cards for this global Voice ISModem EVB come with the appropriate ISModem system side chip installed and are identical otherwise. The possible ISModem system side chips are shown in Figure 24:

Si2438FT  
Si2437FT  
Si2436FT  
Si2435FT  
Si2419FT  
Si2418FT  
Si2417FT  
Si2494FM  
Si2439FM

**Figure 24. ISModem System-Side Chip Part Number Scheme**

The line side chip on the daughter card is the Si3018 DAA chip. It works with a few low cost discrete parts that complete the telephone line interface.

Small 33 pF capacitors link the system side to the isolated side and provide both data and power transfer to the isolated telephone line circuit.

The connection between the Si3018 chip and the telephone line is done via a diode bridge to control line polarity and beads to control EMI.

A Sidactor is placed across the phone line for surge arresting reasons, while a pair of capacitors link the tip and ring to system ground in order to minimize EMI radiation and EMI Susceptibility.

PCB layout for this circuit is somewhat critical, for link integrity, EMI, and surge reasons,. Anyone planning to design a PCB layout should check application note AN244 or AN93 and also submit the PCB design to Skyworks Solutions for checking. The layout used on this daughter card is shown in this user's guide.

# Global Voice ISModem-EVB

---

## 4.2.1. Reset Requirements

The Voice ISModem daughter card must be properly reset at powerup. The reset pin (pin 8) of the Si24xx (J101, pin 13) must be held low for at least 5.0 ms after power is applied and stabilized to ensure the device is properly reset.

## 4.2.2. Crystal Requirements

Clock accuracy and stability are important in modem applications. To ensure reliable communication between modems, the clock must remain within 100 ppm of the design value over the life of the modem. The crystal selected for use in a modem application must have a frequency tolerance of less than 100 ppm for the combination of initial frequency tolerance, drift over the normal operating temperature range, and five year aging. Other considerations, such as production variations in PC board capacitance and the tolerance of loading capacitors, must also be taken into account.

## 4.2.3. Protection

The Voice ISModem EVB meets or exceeds all FCC and international PTT requirements and recommendations for high-voltage surge and isolation testing without any modification. The protection/isolation circuitry includes C1, C2, C8, C9, FB1, FB2, and RV1. The PCB layout is also a key "component" in the protection circuitry. The Voice ISModem EVB provides isolation to 3 kV. Contact Skyworks Solutions for information about designing to higher levels of isolation.

## 4.2.4. Daughter Card Strapping and Jumper Options

Both types of daughter cards have some strapping options that are preconfigured at the factory. These are explained in the schematic and in more detail in AN93.

The QFN daughter card also has a two jumper options. One, JP1, selects SPI operation, which is usable if the user also does not use a jumper at JP23 on the motherboard and provides host SPI connectivity at J103. The other jumper, JP2, enables the operation of the EEPROM chip, which is on the daughter card. There is an EEPROM chip on the motherboard, which is only used with the TSSOP daughter card.





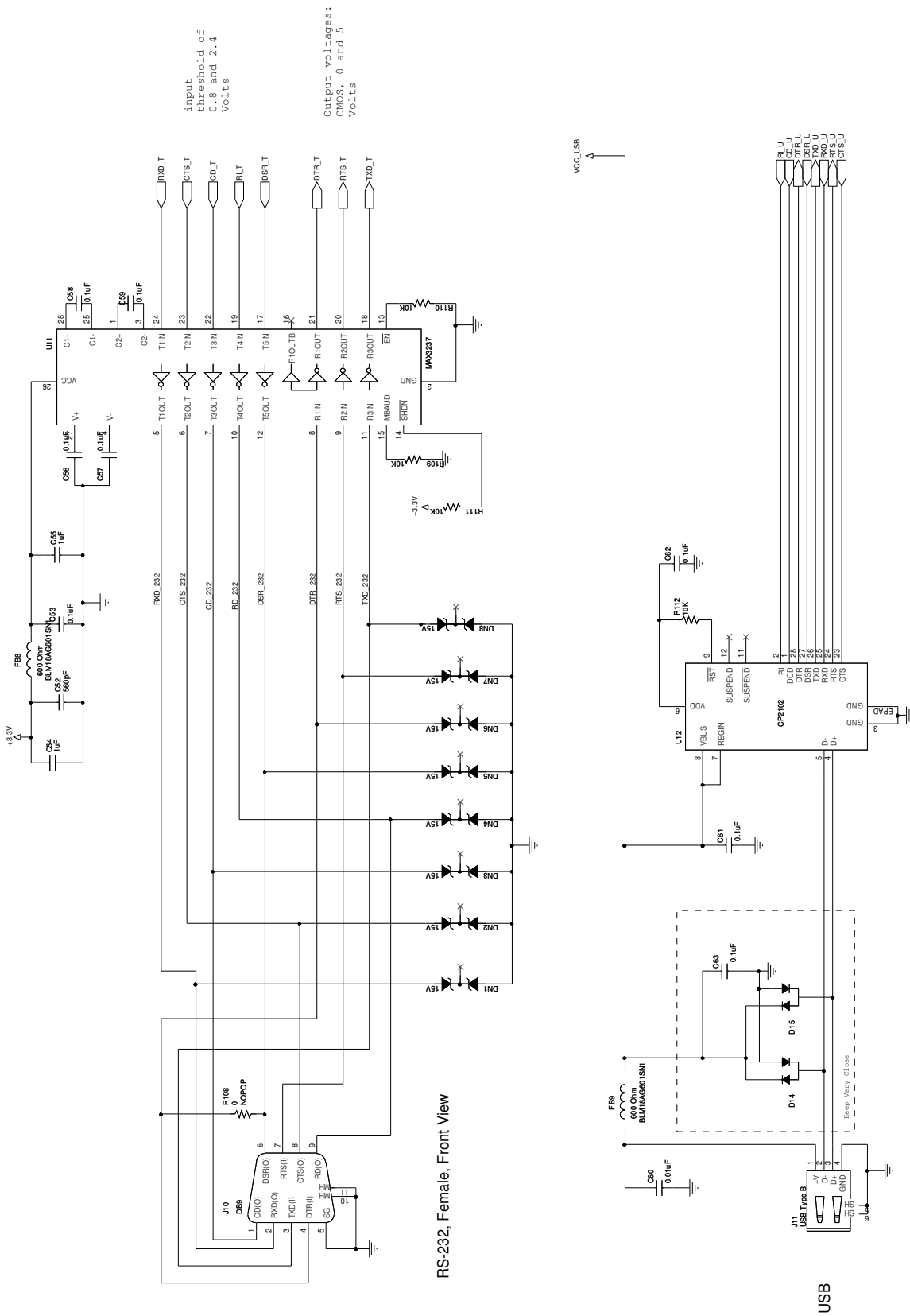
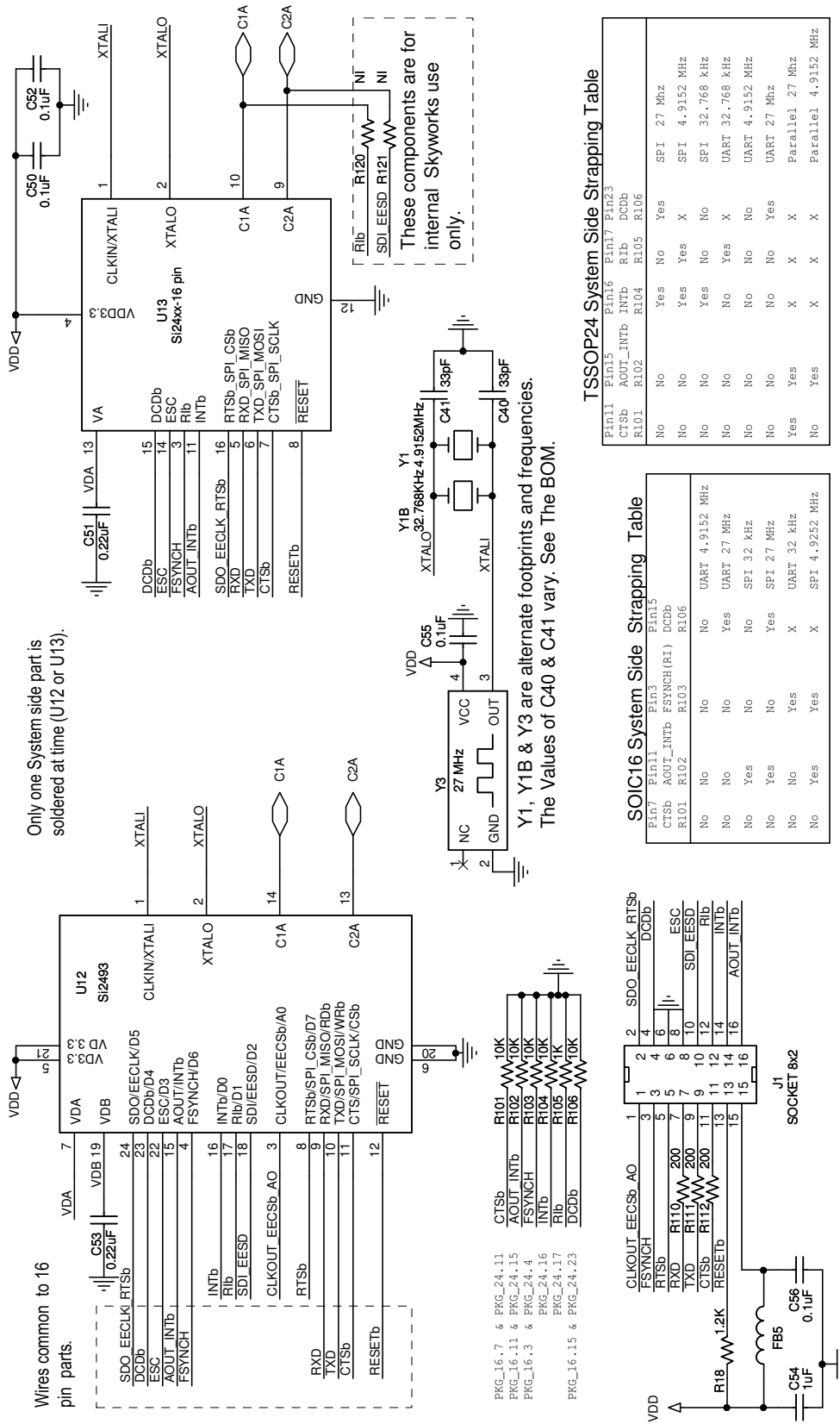


Figure 27. Motherboard Host I/O







**TSSOP24 System Side Strapping Table**

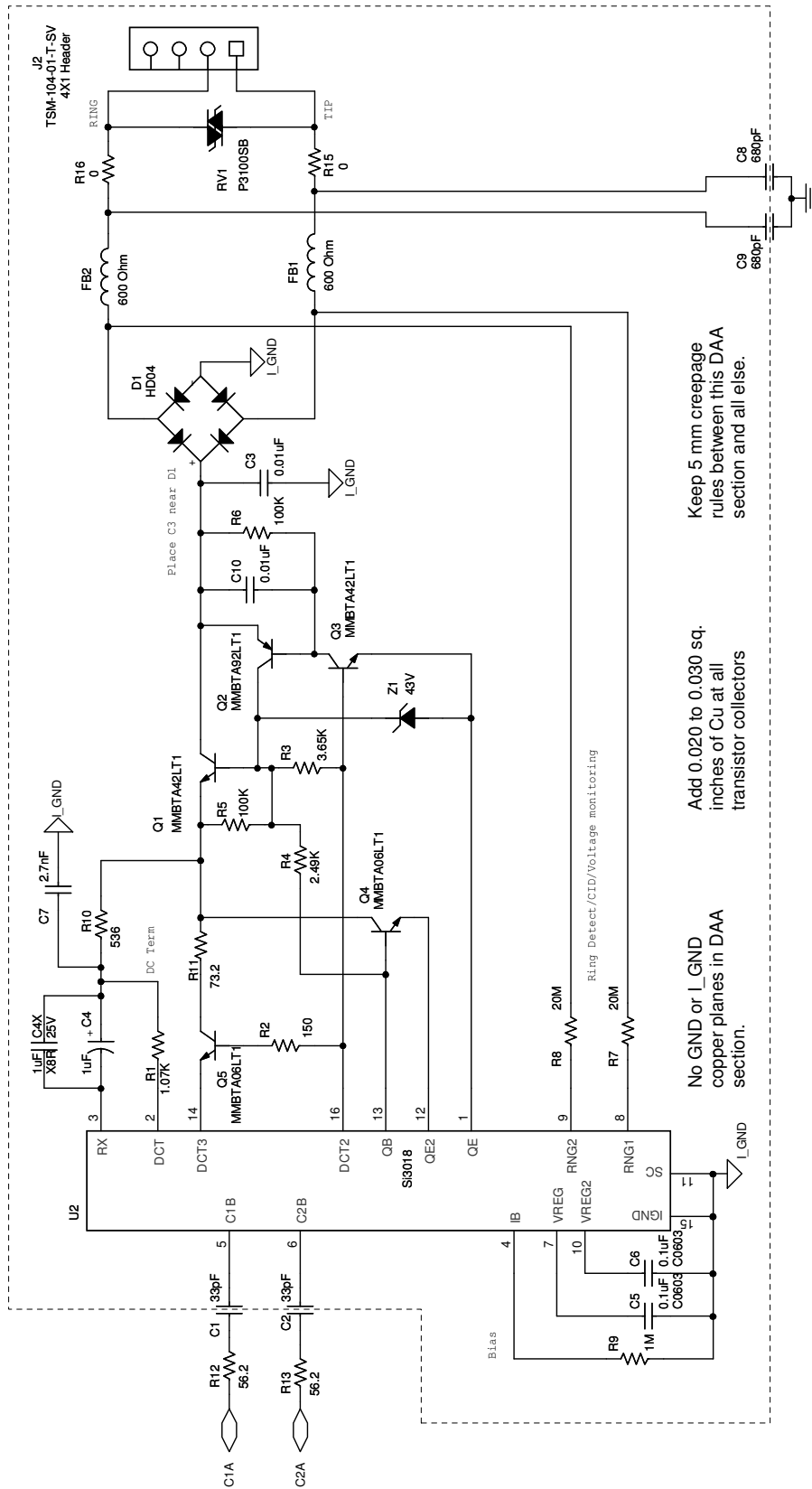
| Pin15 | Pin16     | Pin17 | Pin23 |
|-------|-----------|-------|-------|
| CTSb  | AOUT_INTB | INTB  | Rib   |
| R101  | R102      | R104  | R105  |
| R106  | DCDB      | R106  |       |
| No    | No        | Yes   | No    |
| No    | No        | Yes   | Yes   |
| No    | No        | Yes   | X     |
| No    | No        | No    | No    |
| No    | No        | Yes   | X     |
| No    | No        | No    | No    |
| No    | No        | No    | No    |
| No    | No        | No    | No    |
| Yes   | Yes       | X     | X     |
| No    | Yes       | X     | X     |
| No    | Yes       | X     | X     |
| No    | Yes       | X     | X     |

**SOIC16 System Side Strapping Table**

| Pin7 | Pin11     | Pin3       | Pin5 |
|------|-----------|------------|------|
| CTSb | AOUT_INTB | FSYNCH(RT) | DCDB |
| R101 | R102      | R103       | R106 |
| No   | No        | No         | No   |
| No   | No        | No         | Yes  |
| No   | Yes       | No         | No   |
| No   | No        | No         | Yes  |
| No   | No        | Yes        | X    |
| No   | Yes       | Yes        | X    |
| No   | Yes       | Yes        | X    |

Figure 29. Daughter Card (Si24xx2G-DC Rev 2.0) System Side

# Global Voice ISModem-EVB



Keep 5 mm creepage rules between this DAA section and all else.

Add 0.020 to 0.030 sq. inches of Cu at all transistor collectors

No GND or L\_GND copper planes in DAA section.

Figure 30. Daughter Card (Si24xx2G-DC Rev 2.0) Line Side

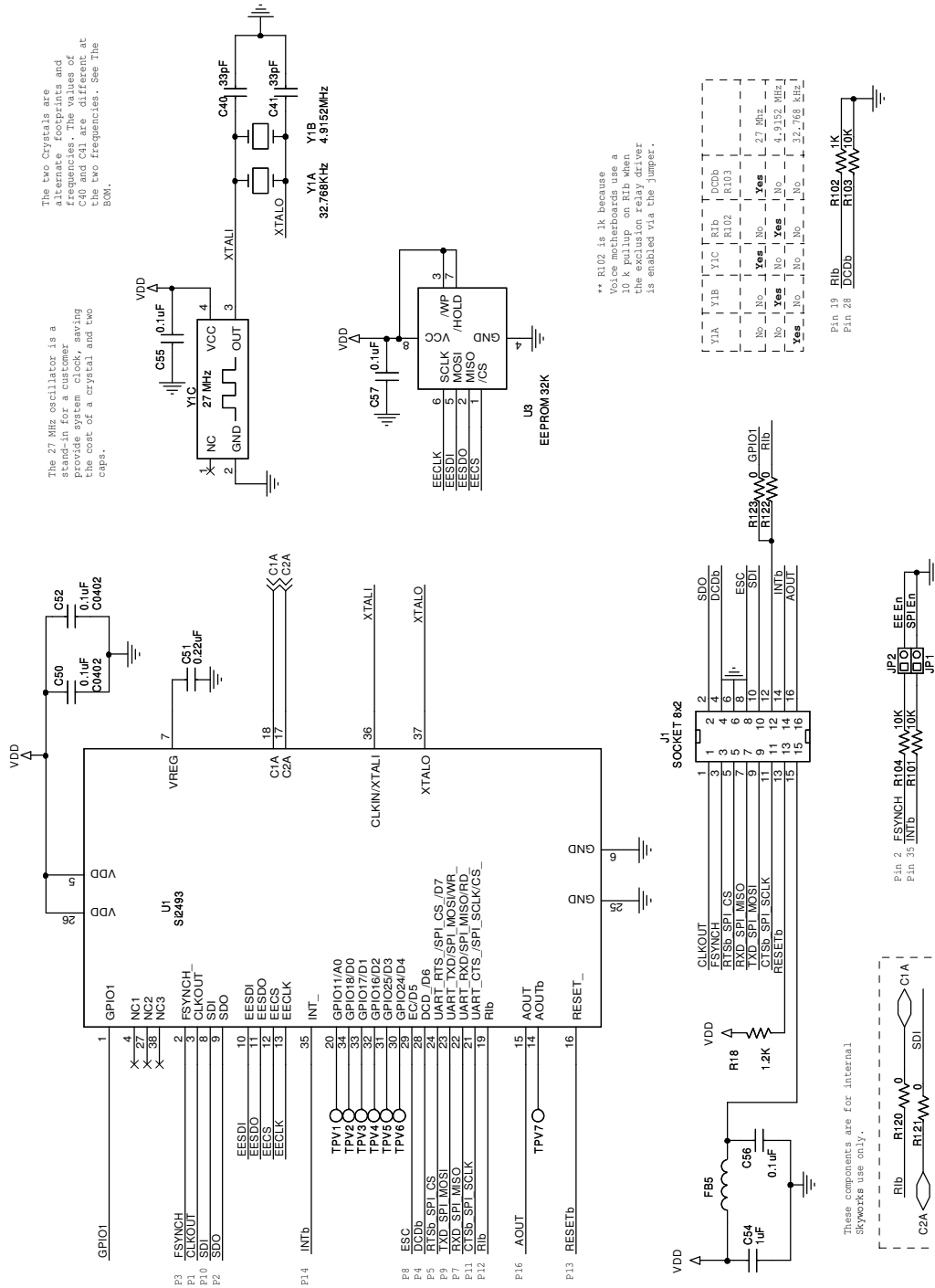
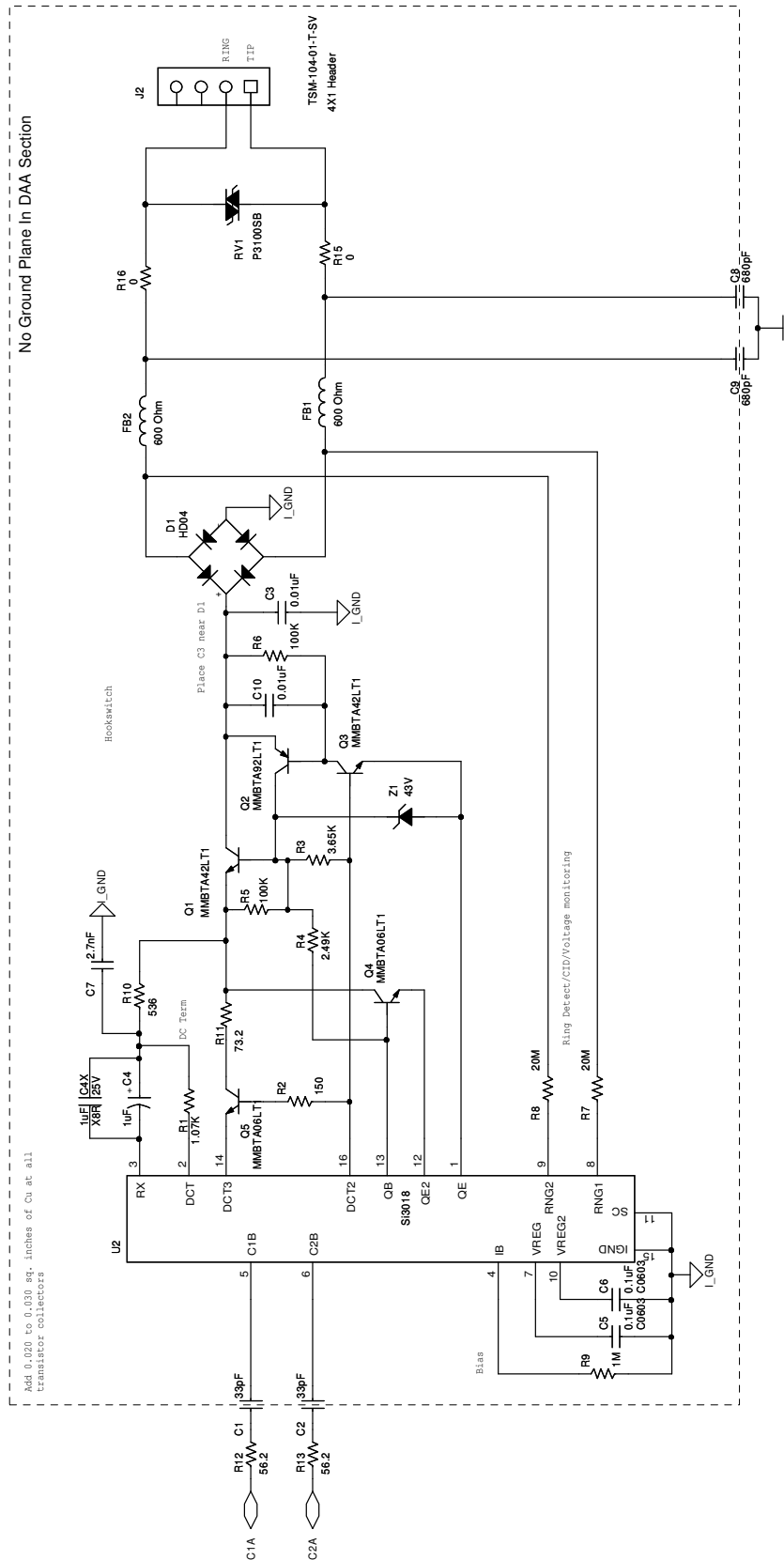


Figure 31. QFN Daughter Card (Si24xx2G-QFN38-DC Rev 1.0) System Side

# Global Voice ISOmodem-EVB



**Figure 32. Daughter Card (SI24xx2G-QFN38-DC Rev 1.0) Line Side**

## 6. Motherboard and Daughter Card PCB Layouts

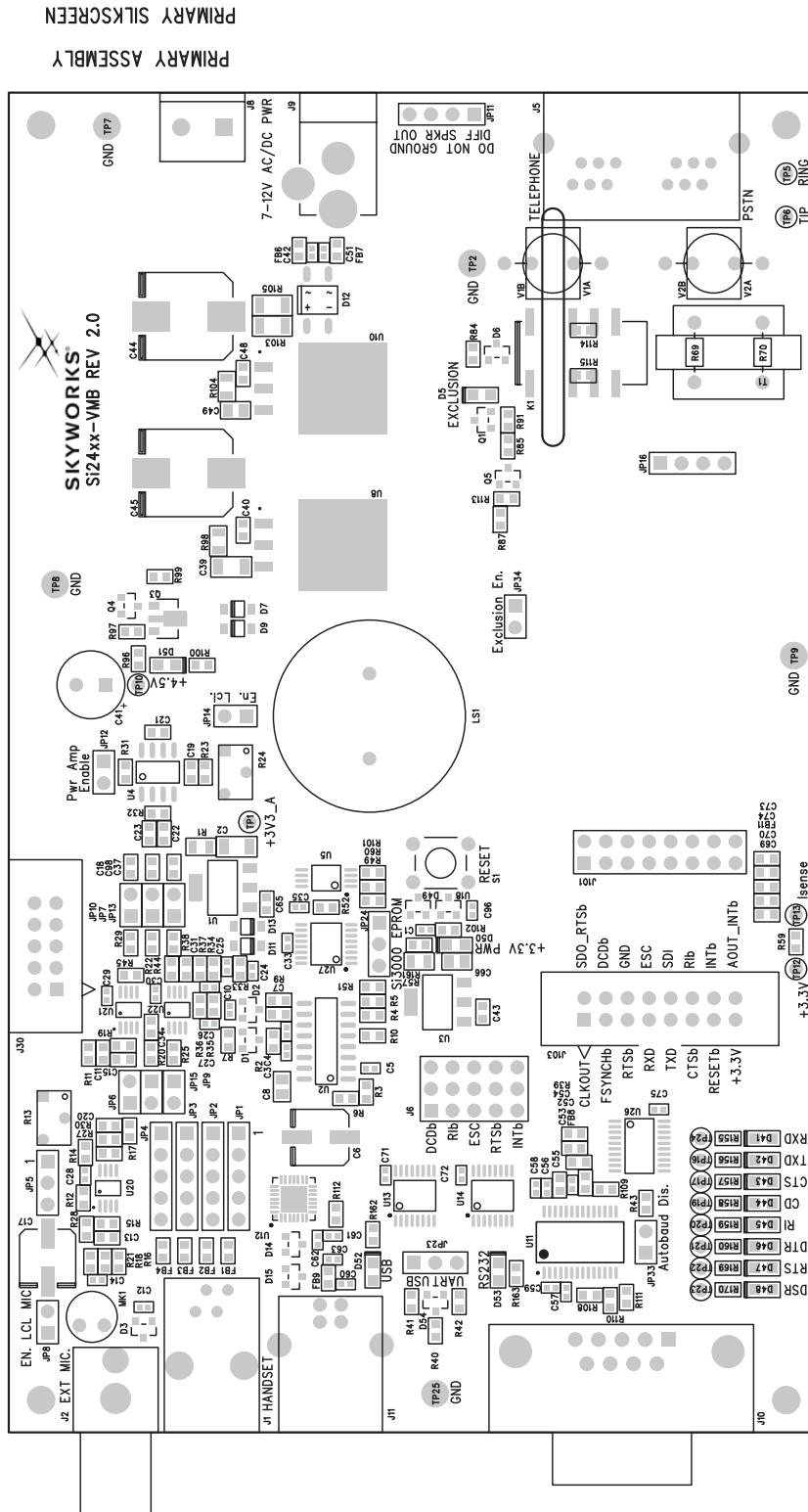


Figure 33. Motherboard Primary Side Component and Silkscreen View



# Global Voice ISOmodem-EVB

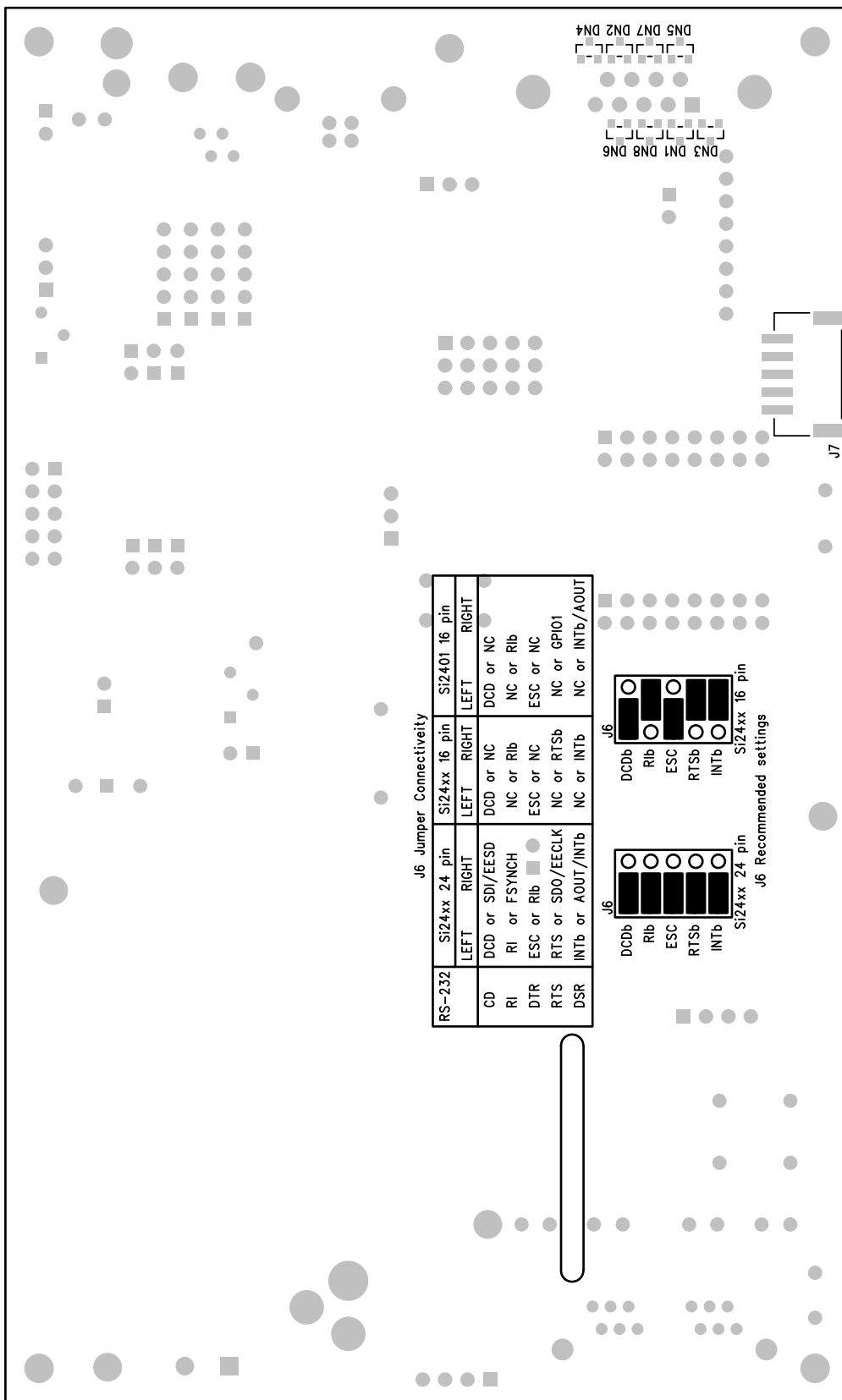


Figure 34. Motherboard Bottom Side Component and Silkscreen View

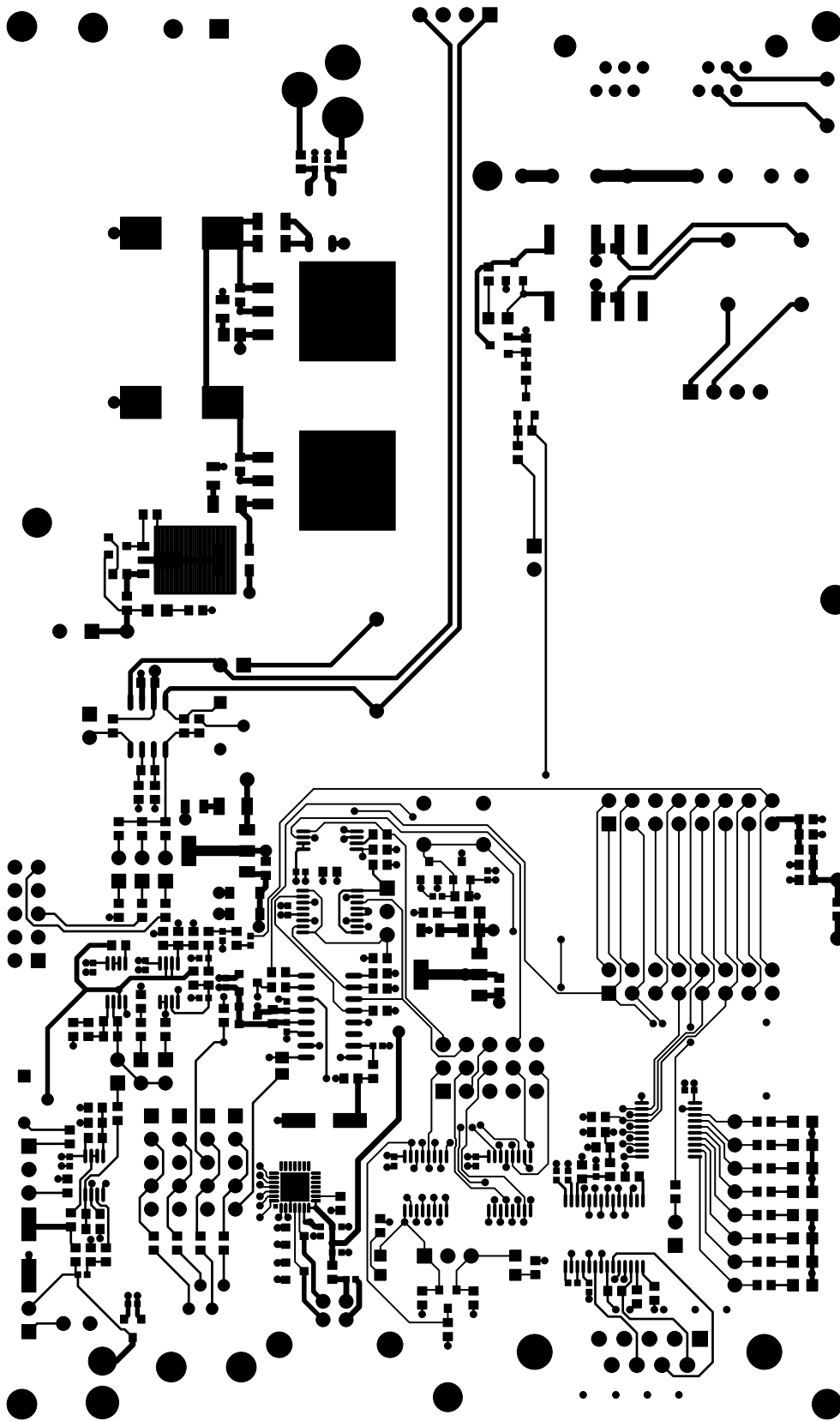


Figure 35. Motherboard Primary Side Signal Layer

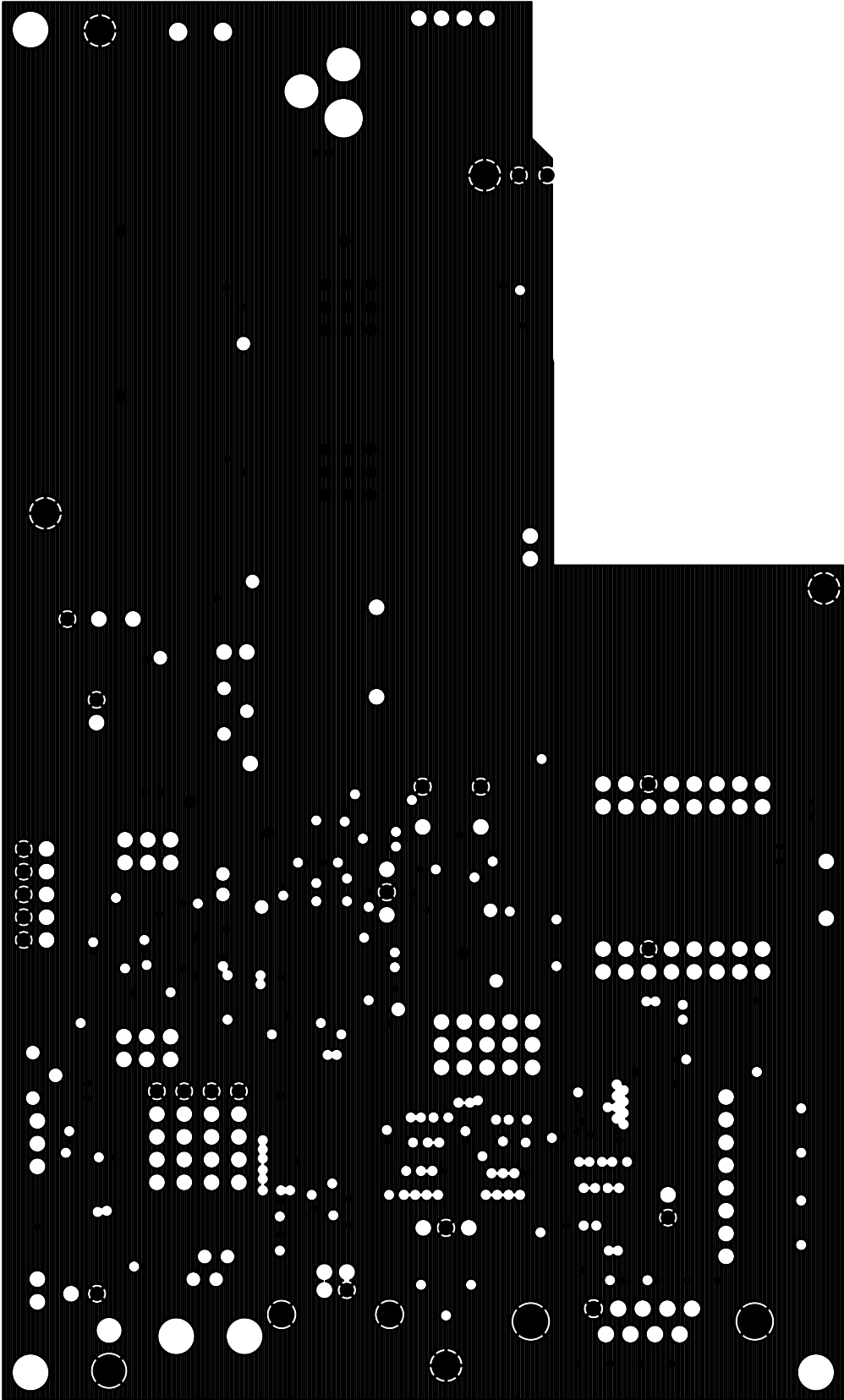


Figure 36. Motherboard Layer 2 Ground Plane



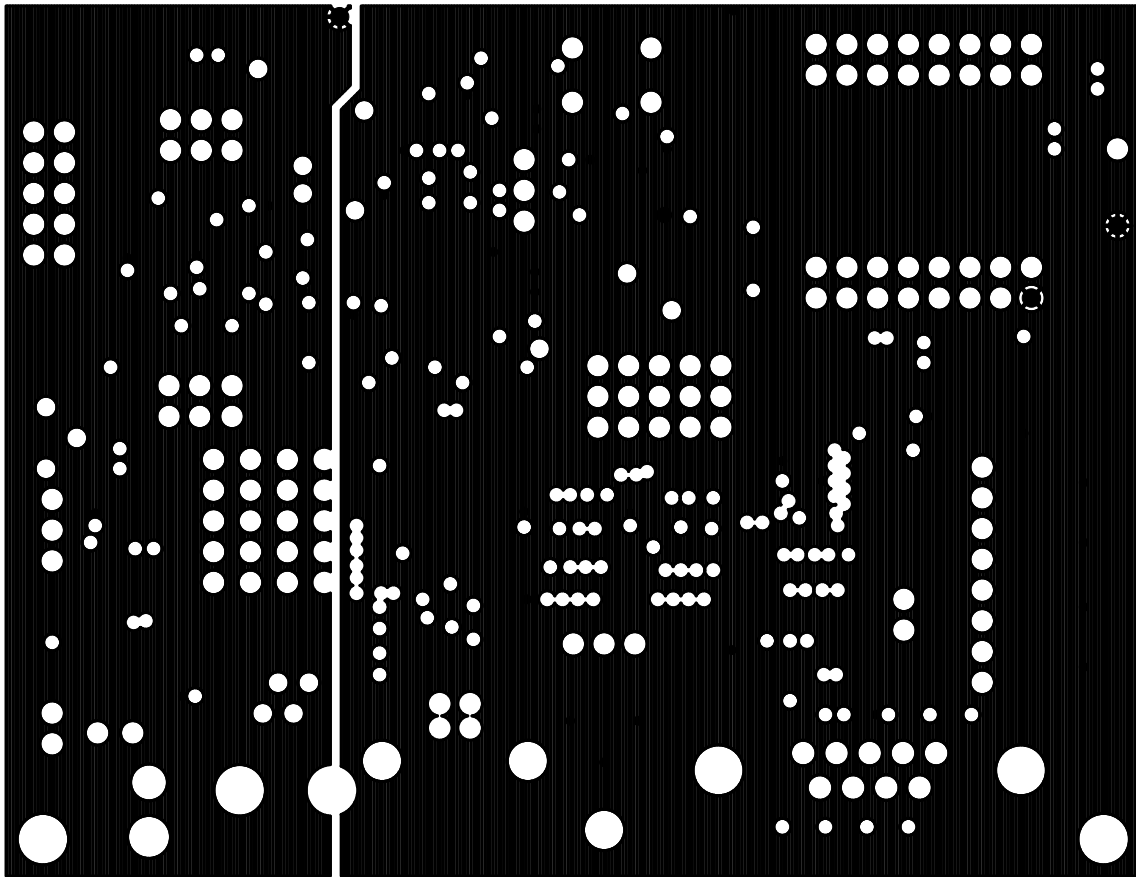


Figure 37. Motherboard Layer 3 Power Plane

# Global Voice ISOmodem-EVB

---

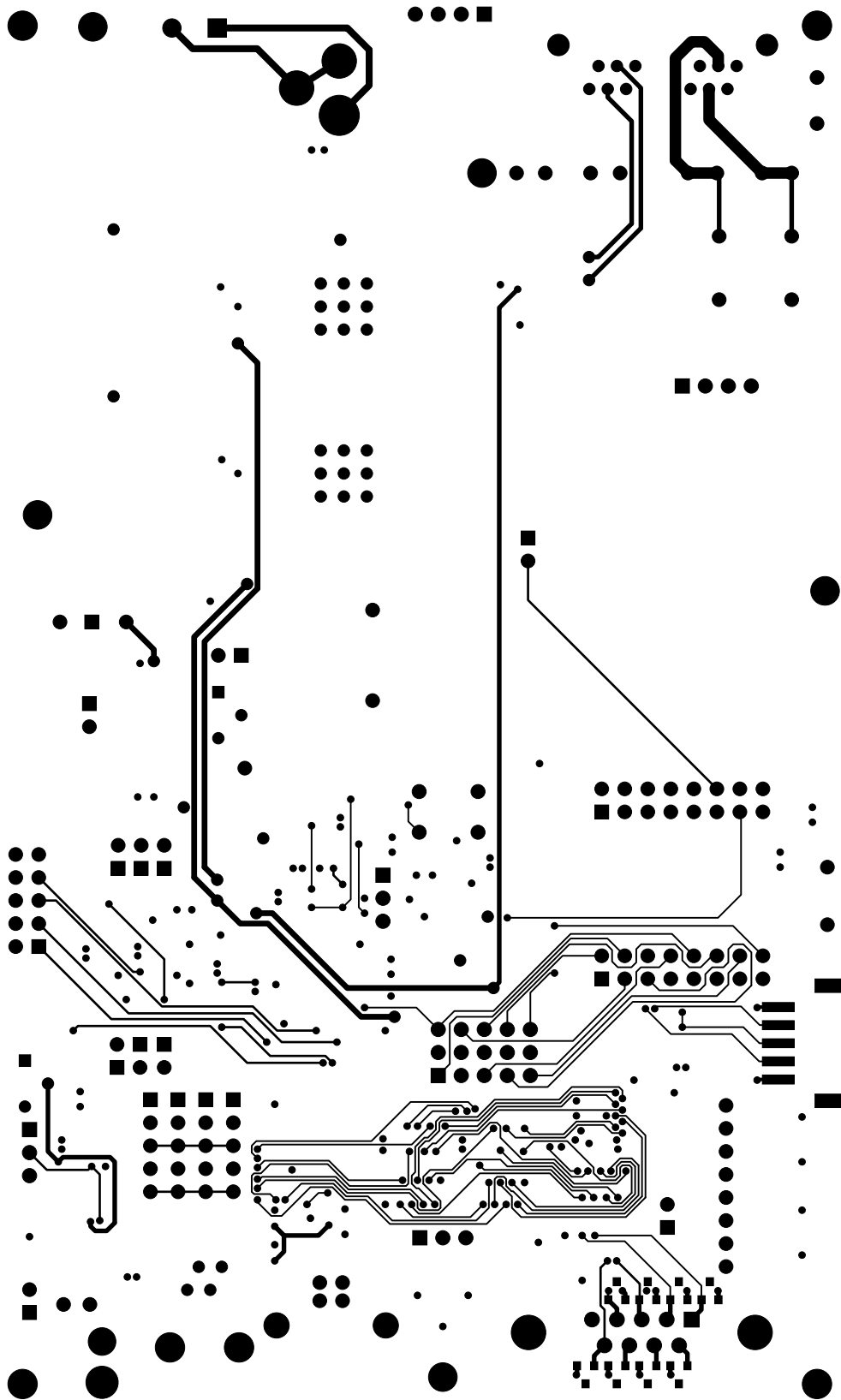


Figure 38. Motherboard Secondary Side, Signal Layer

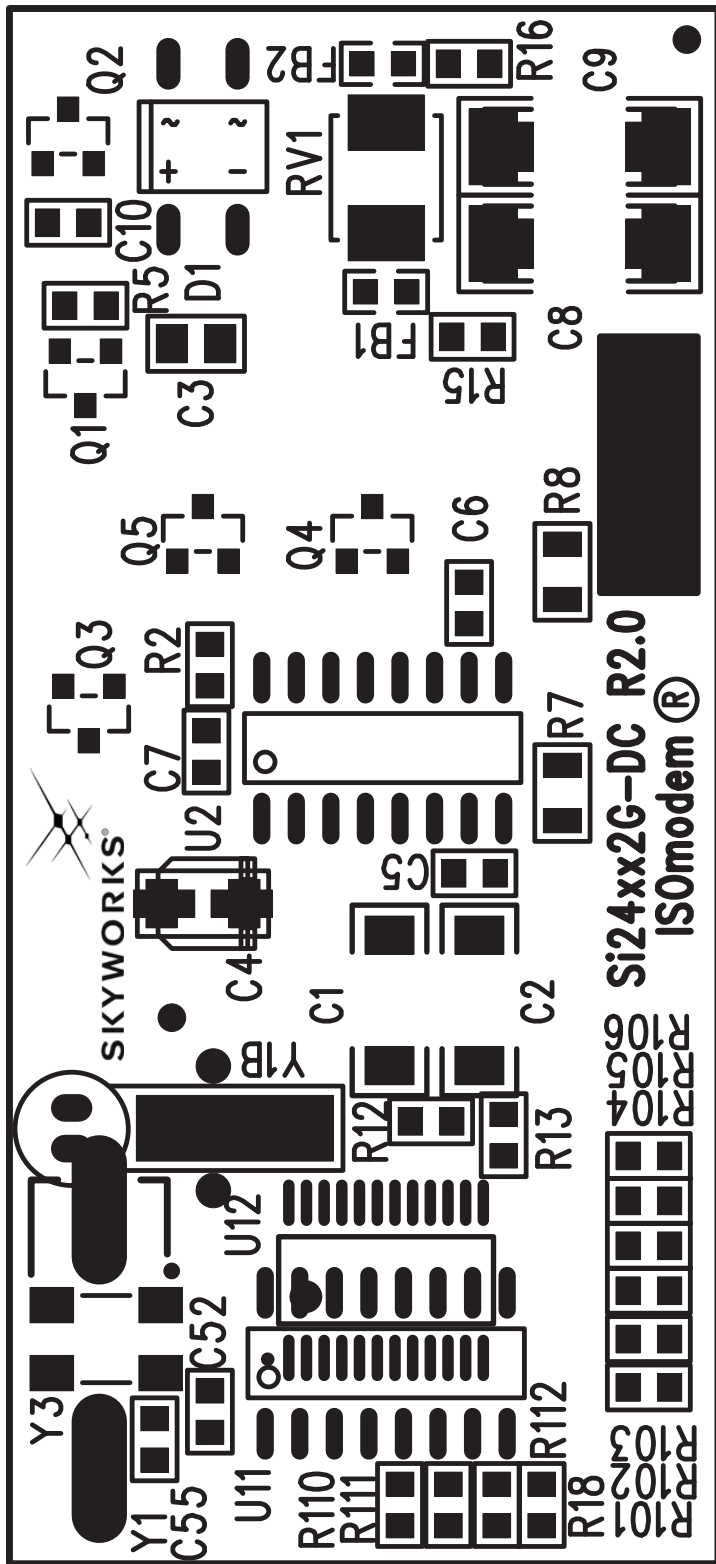


Figure 39. Daughter Card Primary Side, Component and Silkscreen

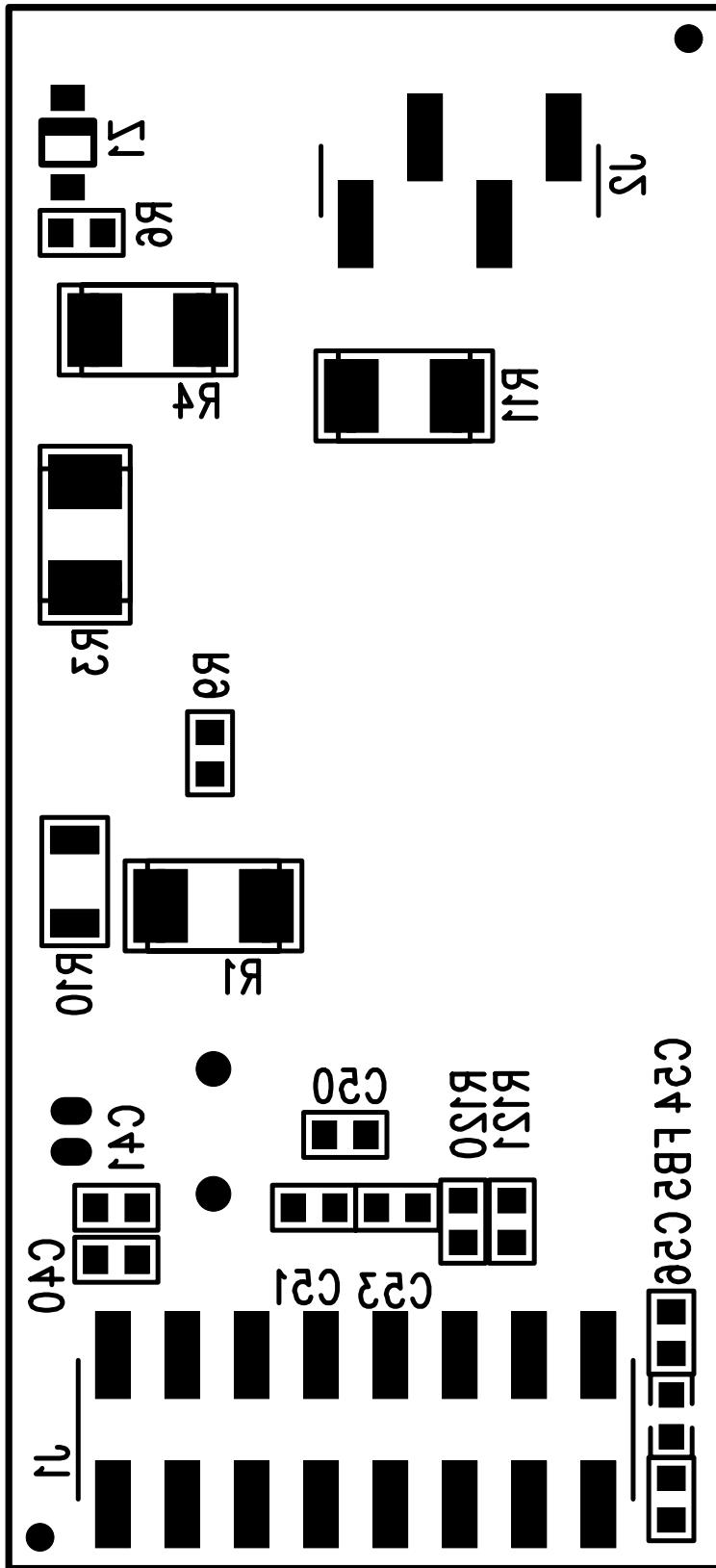


Figure 40. Daughter Card Secondary Side, Component and Silkscreen

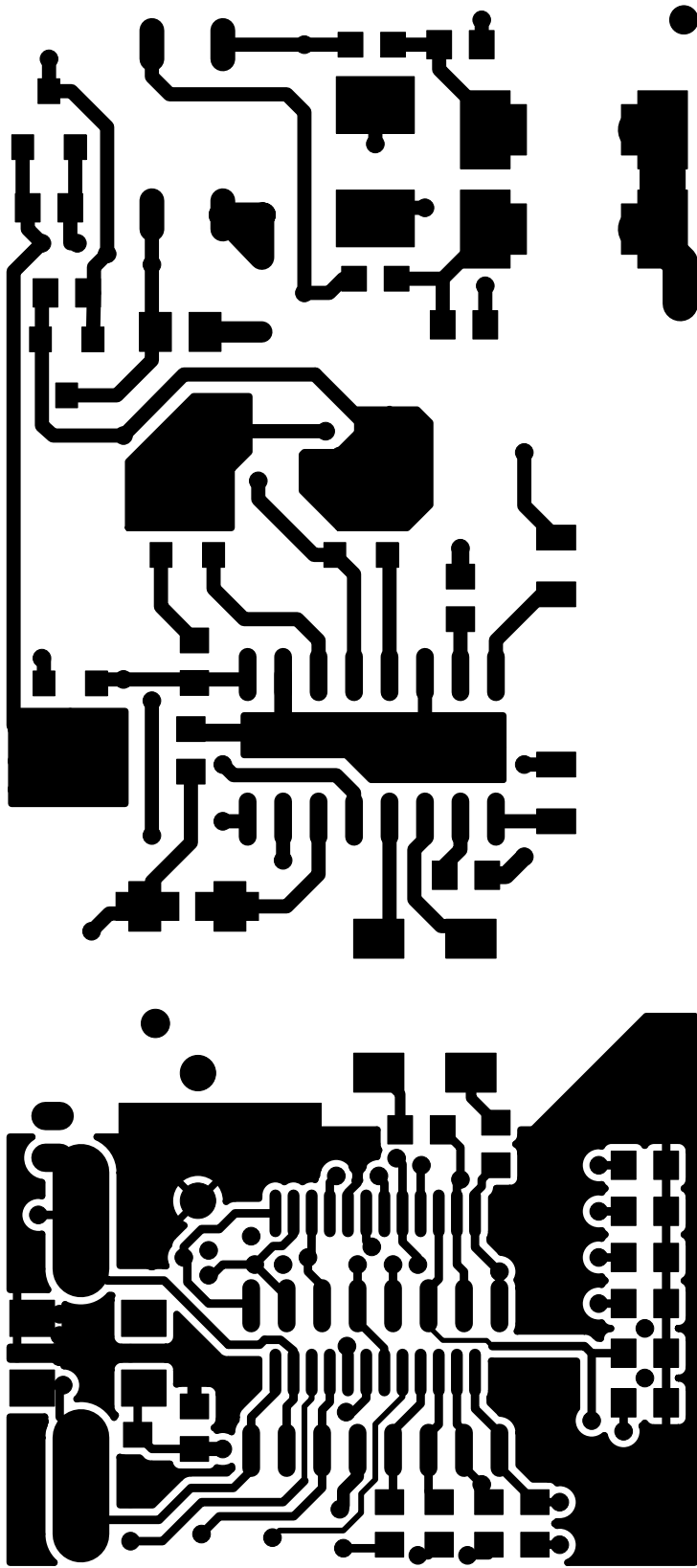


Figure 41. Daughter Card Primary Side

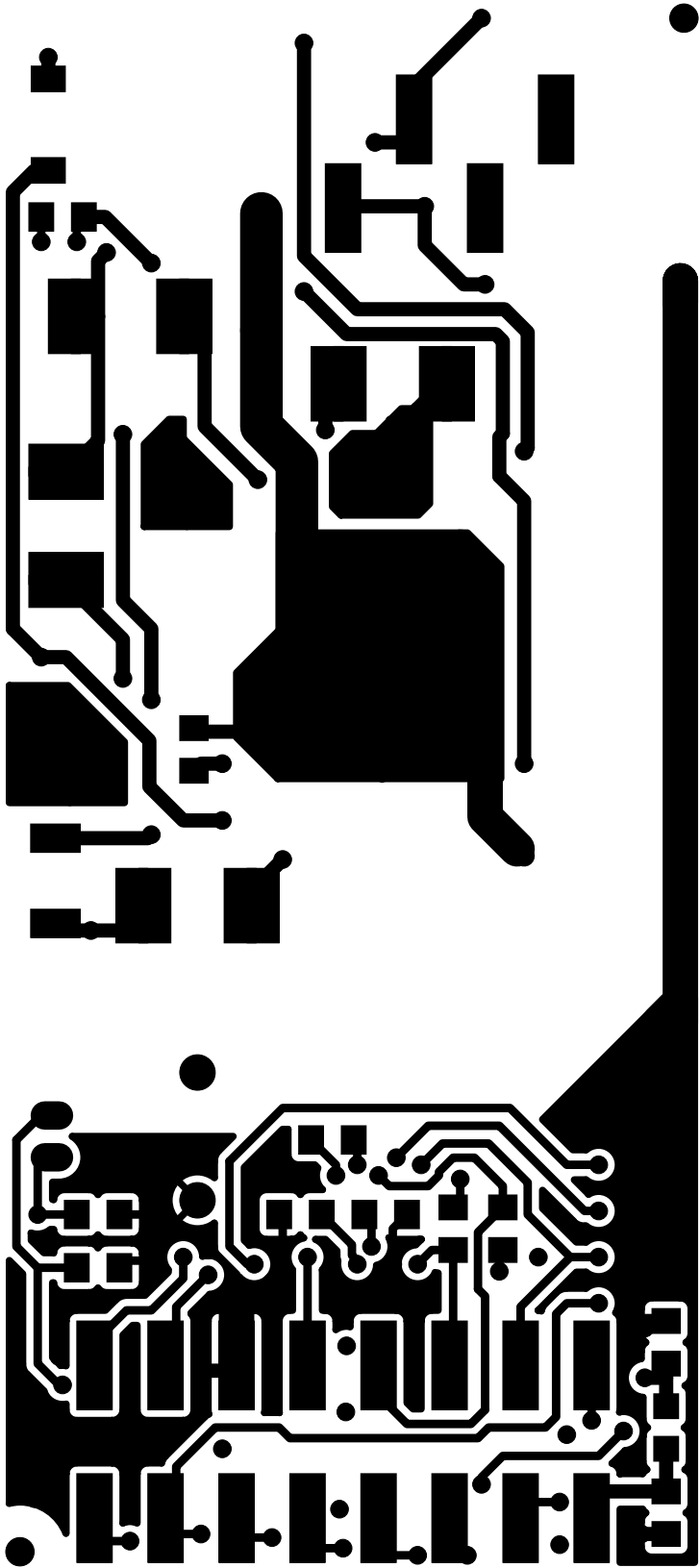


Figure 42. Daughter Card Secondary Side

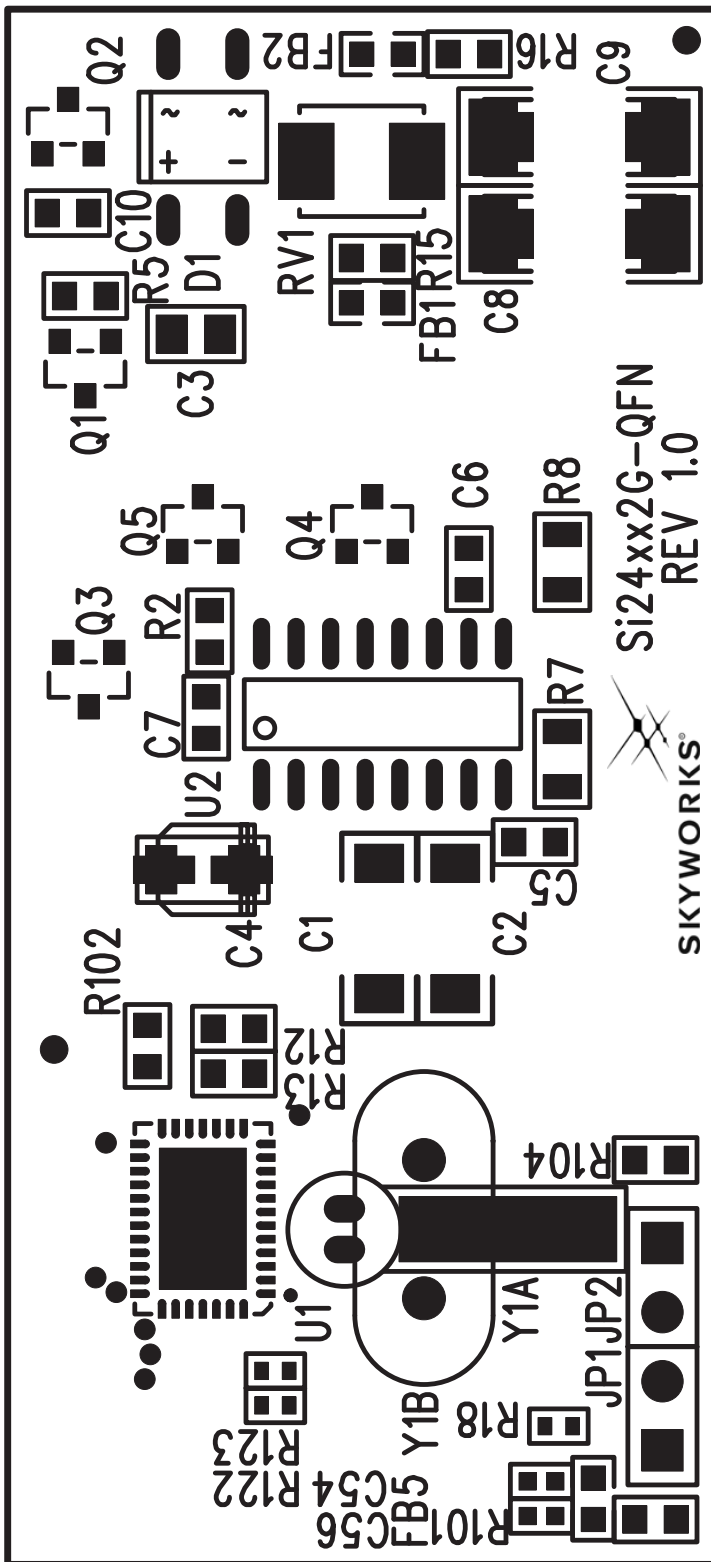


Figure 43. QFN Daughter Card Primary Side, Component and Silkscreen

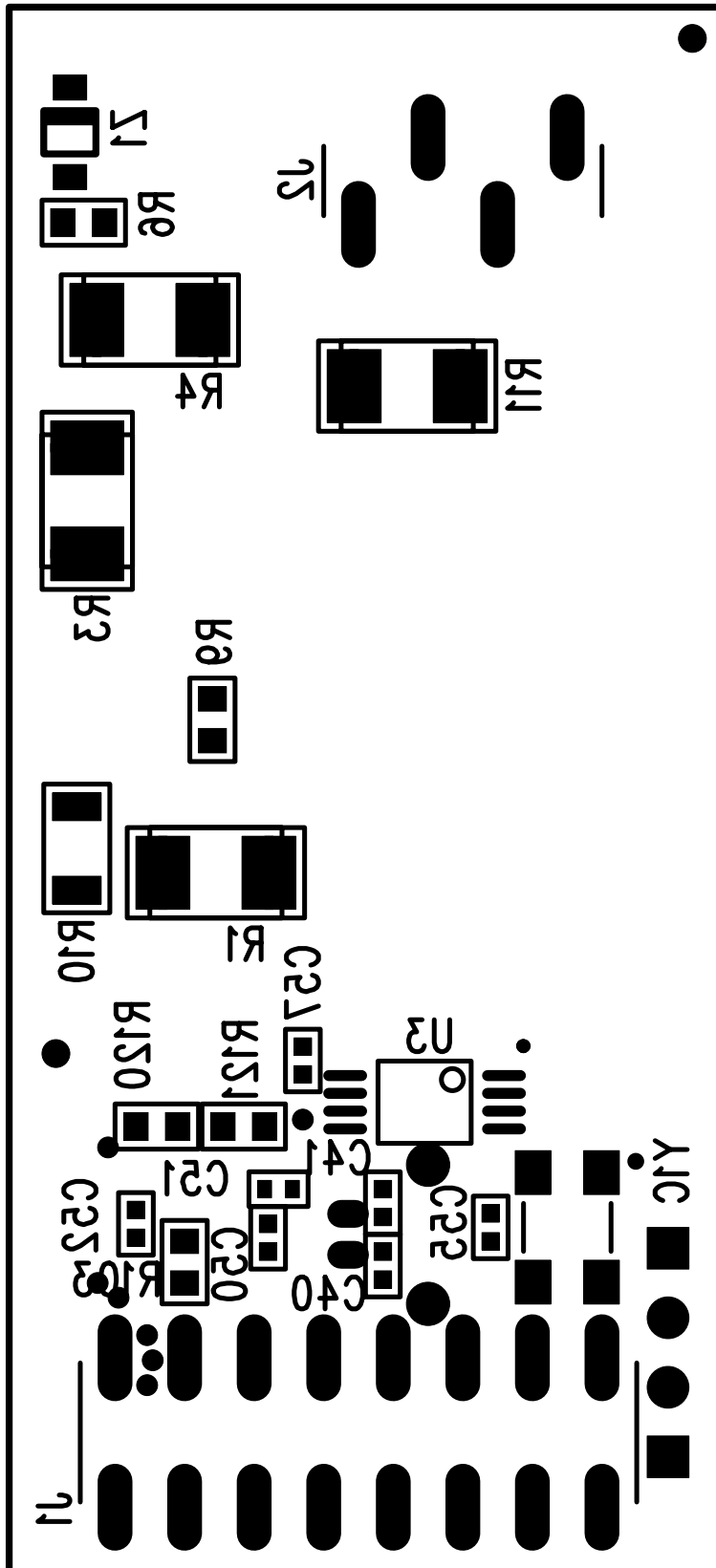


Figure 44. QFN Daughter Card Secondary Side, Component and Silkscreen



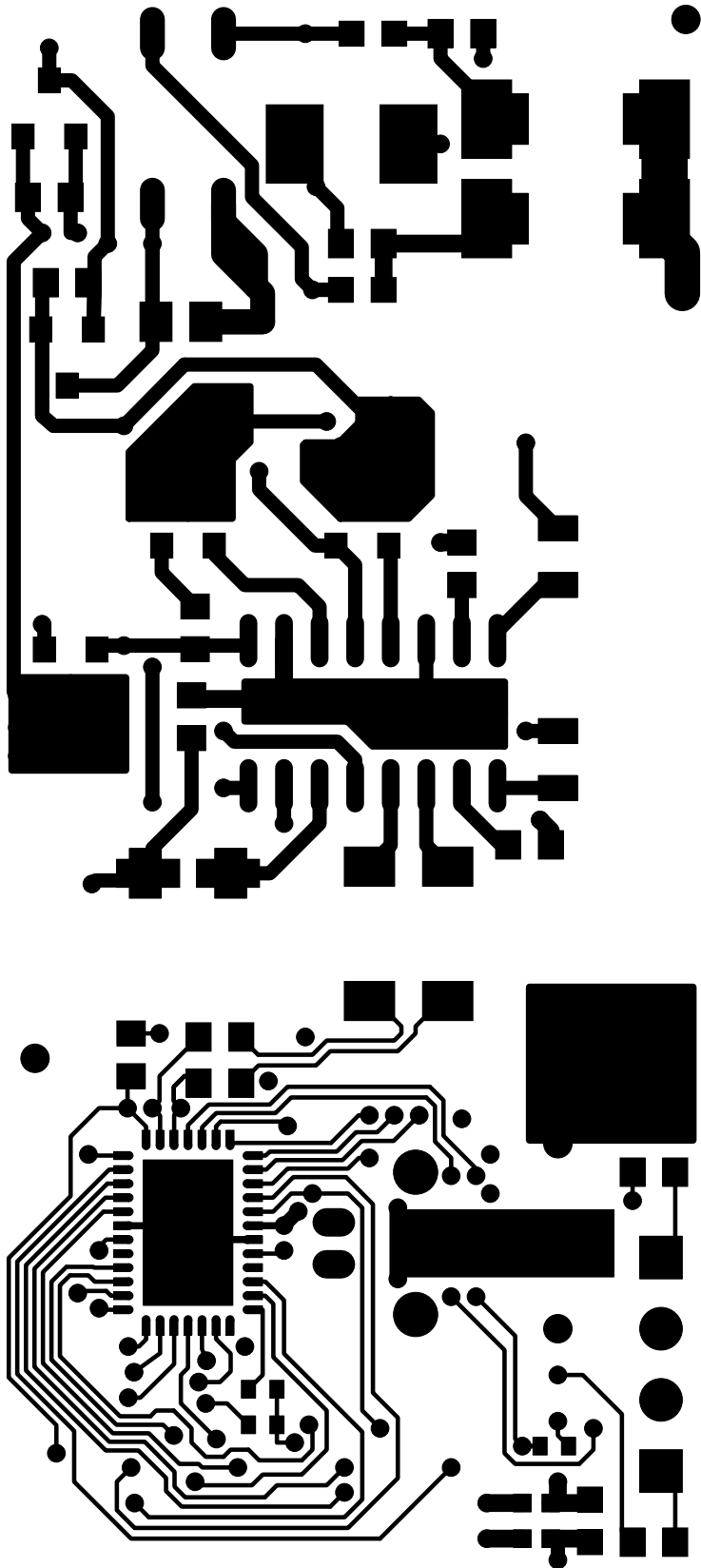


Figure 45. QFN Daughter Card Primary Side

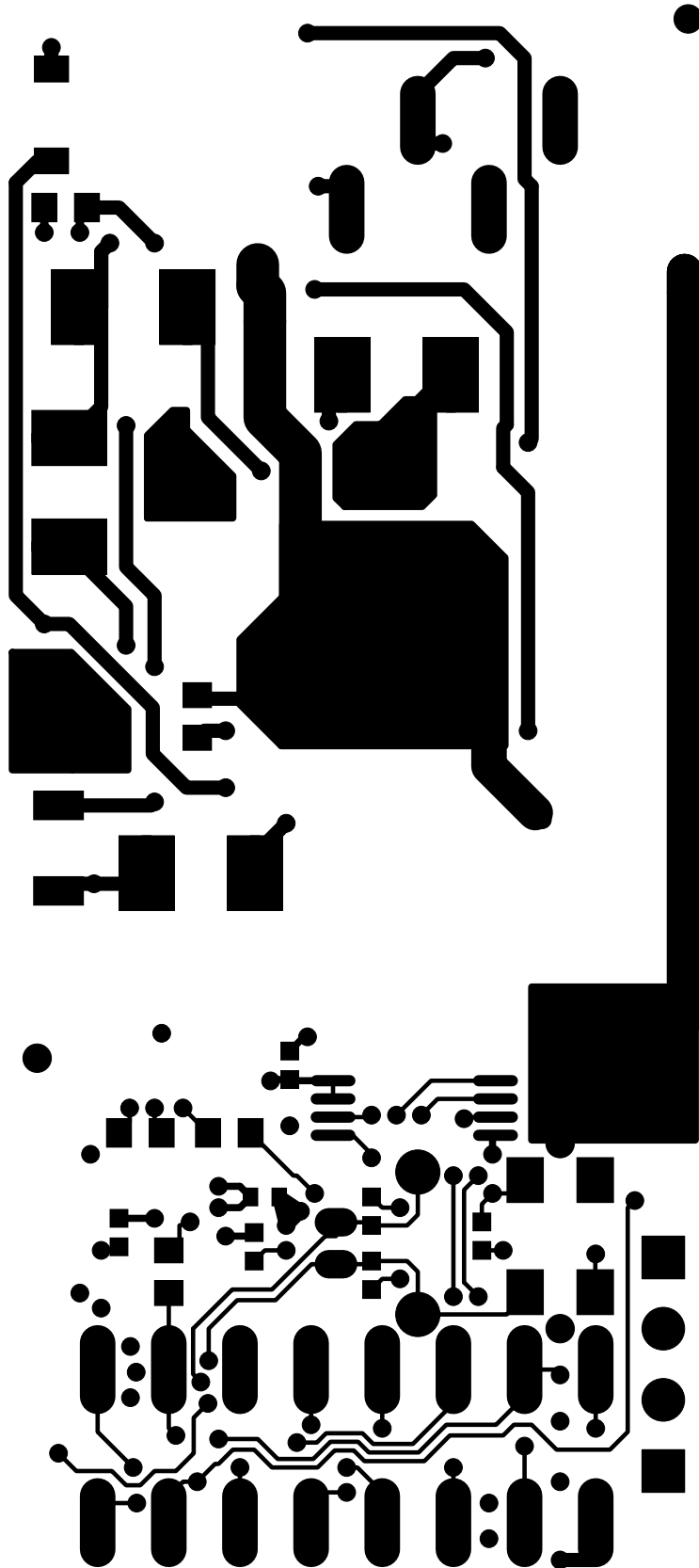


Figure 46. QFN Daughter Card Secondary Side

# Global Voice ISModem-EVB

## 7. Bill of Materials

The following sections contain the bills of materials for the motherboard and daughter card.

### 7.1. Motherboard Bill of Materials

**Table 7. Motherboard Bill of Materials**

| Item | NI    | Qty | Ref  | Value        | Rating | Voltage | Tol  | Type      | PCB Footprint         | Mfr Part Number  | Mfr          |
|------|-------|-----|--|--------------|--------|---------|------|-----------|-----------------------|------------------|--------------|
| 48   | NI    | 3   | R2, R114, R115   | 0 Ω          | 1A     |         |      | ThickFilm | R0603                 | CR0603-16W-000   | Venkel       |
| 1    | NOPOP | 1   | C1   | 0.1 μF       |        | 10V     | ±20% | X7R       | C0402                 | C0402X7R100-104M | Venkel       |
| 33   | NOPOP | 1   | J7   | 2 mm, RT ANG |        |         |      | SHROUDED  | CONN1X5-S5B-PH-SM4-TB | S5B-PH-SM4-TB    | JST          |
| 63   | NOPOP | 6   | R39, R49, R51  | 10 kΩ        | 1/10W  |         | ±1%  | ThickFilm | R0603                 | CR0603-10W-1002F | Venkel       |
| 71   | NOPOP | 1   | R108   | 0 Ω          | 1A     |         |      | ThickFilm | R0603                 | CR0603-16W-000   | Venkel       |
| 77   | NOPOP | 1   | T1   | 3.3 mH       |        |         |      | TelCom    | IND-CMC-7X8           | 750311349        | Würth/Midcom |
| 90   | NOPOP | 1   | V1A  | 1000 V       |        | 1000V   |      | GDT       | GDT-RA-C6-Y           | RA-102M-C6-Y     | OKAYA        |
| 91   | NOPOP | 1   | V1B  | 800 V        |        | 800V    |      | GDT       | GDT-450-6X8MM         | GTCA28-801L-P05  | Tyco         |
| 92   | NOPOP | 1   | V2A  | 350 V        |        | 350V    |      | GDT       | GDT-RA-C6-Y           | RA-351M-C6-Y     | OKAYA        |
| 93   | NOPOP | 1   | V2B  | 350 V        |        | 350V    |      | GDT       | GDT-450-6X8MM         | GTCA28-351L-P05  | Tyco         |
| 2    |       | 2   | C2 C39   | 10 μF        |        | 10V     | ±20% | X7R       | C1206                 | C1206X7R100-106M | Venkel       |
| 3    |       | 27  | C3, C4, C5, C10, C12, C14, C24, C25, C26, C27, C28, C29, C30, C33, C35, C53, C56, C57, C58, C59, C61, C62, C63, C71, C72, C75, C96 | 0.1 μF       |        | 10V     | ±20% | X7R       | C0402                 | C0402X7R100-104M | Venkel       |
| 4    |       | 2   | C6, C17  | 100 μF       |        | 16V     | ±20% | Alum_Elec | C6.6X6.6MM            | EEEFK1C101P      | Panasonic    |
| 5    |       | 16  | C7, C11, C18, C20, C21, C22, C23, C31, C34, C37, C43, C54, C55, C65, C69, C74  | 1 μF         |        | 10V     | ±10% | X7R       | C0603                 | C0603X7R100-105K | Venkel       |
| 6    |       | 3   | C8, C49, C66   | 10 μF        |        | 16V     | ±10% | X5R       | C0805                 | C0805X5R160-106K | Venkel       |
| 7    |       | 4   | C13, C52, C70 C73  | 560 pF       |        | 16V     | ±10% | X7R       | C0603                 | C0603X7R160-561K | Venkel       |
| 8    |       | 2   | C15, C19   | 2.2 nF       |        | 16V     | ±10% | X7R       | C0603                 | C0603X7R160-222K | Venkel       |
| 9    |       | 2   | C40, C48   | 0.1 μF       |        | 50V     | ±10% | X7R       | C0603                 | C0603X7R500-104K | Venkel       |

# Global Voice ISModem-EVB

**Table 7. Motherboard Bill of Materials (Continued)**

| Item | NI | Qty | Ref  | Value            | Rating | Voltage | Tol  | Type          | PCB Footprint    | Mfr Part Number     | Mfr                |
|------|----|-----|--|------------------|--------|---------|------|---------------|------------------|---------------------|--------------------|
| 10   |    | 1   | C41  | 560 µF           |        | 6.3V    | ±20% | Alum_Elec     | C3.5X8MM-RAD     | EEUFM0J561          | Panasonic          |
| 11   |    | 3   | C42, C51, C60  | 0.01 µF          |        | 25 V    | ±10% | X7R           | C0402            | C0402X7R250-103K    | Venkel             |
| 12   |    | 2   | C44, C45   | 470 µF           |        | 25 V    | ±20% | Alum_Elec     | C10.3X10.3MM     | EMVE250ADA471MJ A0G | United Chemicon    |
| 13   |    | 1   | C98  | 4.7 µF           |        | 6.3 V   | ±10% | X5R           | C0603            | C0603X5R6R3-475K    | Venkel             |
| 14   |    | 8   | DN1, DN2, DN3, DN4, DN5, DN6, DN7, DN8,                        | 15 V             | 225 mW | 15 V    |      | Zener, Dual   | SOT23-AAK        | MMBZ15VDLT1G        | On Semi            |
| 15   |    | 7   | D1, D2, D3, D6, D14, D15, D49                                  | MMBD3004S-7-F    | 225 mA | 300 V   |      | DUAL          | SOT23-AKC        | MMBD3004S-7-F       | Diodes Inc.        |
| 16   |    | 13  | D5, D41, D42, D43, D44, D45, D46, D47, D48, D50, D51, D52, D53 | RED              | 25 mA  | 1.9 V   |      | SMT, Chip-LED | LED-HSMX-C170    | HSMC-C170           | Avago Technologies |
| 17   |    | 4   | D7, D9, D11, D13   | STPS140Z         | 1.0 A  | 40 V    |      | Schottky      | SOD-123          | STPS140Z            | ST MICRO           |
| 18   |    | 1   | D12  | Bridge Rectifier | 0.8 A  | 100 V   |      | BRIDGE        | MiniDIP4         | HD01-T              | Diodes Inc.        |
| 19   |    | 1   | D54  | BAV23A           | 400 mA | 200 V   |      | DUAL          | SOT23-KKA        | BAV23A              | Diodes Inc.        |
| 20   |    | 9   | FB1, FB2, FB3, FB4, FB6, FB7, FB8, FB9, FB11                   | 600 Ω            | 200 mA |         |      | SMT           | L0603            | BLM18AG601SN1       | MuRata             |
| 21   |    | 4   | HD5, HD6, HD7, HD8   | Screw            |        |         |      |               | MH-125NP         | NSS-4-4-01          | Richco Plastic Co  |
| 22   |    | 4   | HW1, HW2, HW3, HW4   | Standoff         |        |         |      |               | N/A              | 2397                | SPC Technology     |
| 23   |    | 4   | JP1, JP2, JP3, JP4   | Header 5x1       |        |         |      | Header        | CONN1X5-TSW      | TSW-105-07-T-S      | Samtec             |
| 24   |    | 3   | JP5, JP23, JP24  | Header 1x3       |        |         |      | Header        | CONN-1X3         | TSW-103-07-T-S      | Samtec             |
| 25   |    | 9   | JP6, JP7, JP8, JP9, JP10, JP12, JP13, JP14, JP15               | Jumper           |        |         |      | Header        | CONN-1X2         | TSW-102-07-T-S      | Samtec             |
| 26   |    | 1   | JP11   | HEADER 4X1       |        |         |      | Header        | CONN-1X4         | TSW-104-07-T-S      | Samtec             |
| 27   |    | 1   | JP16   | 4X1 Socket       |        |         |      | Socket        | CONN-1X4         | SSW-104-01-T-S      | Samtec             |
| 28   |    | 2   | JP33, JP34   | JUMPER           |        |         |      | Unshrouded    | CONN-1X2         | 68000-402           | Berg               |
| 29   |    | 1   | J1   | RJ10 - Handset   |        |         |      | Handset       | RJ10-4P4C        | 806-GMX-N-44        | Mouser             |
| 30   |    | 1   | J2   | RCA Jack         |        |         |      | RCA           | CONN-RCA-RCJ-04X | 161-0097-E          | Kobiconn           |

# Global Voice ISModem-EVB

**Table 7. Motherboard Bill of Materials (Continued)**

| Item | NI | Qty | Ref   | Value               | Rating    | Voltage | Tol       | Type      | PCB Footprint    | Mfr Part Number  | Mfr             |
|------|----|-----|---|---------------------|-----------|---------|-----------|-----------|------------------|------------------|-----------------|
| 31   |    | 1   | J5  | RJ-11               |           |         |           | RJ-11     | RJ11-DUAL-MTJG   | MTJG-2-64-2-2-1  | ADAM TECH       |
| 32   |    | 1   | J6  | HEADER 5x3          |           |         |           | Header    | CONN3X5          | TSW-105-07-S-T   | Samtec          |
| 34   |    | 1   | J8  | CONN TRBLK 2        |           |         |           | TERM BLK  | CONN-1X2-TB      | 1729018          | PHOENIX CONTACT |
| 35   |    | 1   | J9  | Power Jack          | 1 A       |         |           | BARREL    | CONN-3-PWR       | ADC-002-1        | Adam Tech       |
| 36   |    | 1   | J10   | DB9                 |           |         |           | D-SUB     | CONN-9-DBF       | D09S33E4GX00LF   | FCI             |
| 37   |    | 1   | J11   | USB Type B          |           |         |           | USB       | CONN-USB-B       | 292304-1         | Tyco            |
| 38   |    | 1   | J30   | 5x2 Shrouded Header |           |         |           | Shrouded  | CONN2X5-4W       | 5103309-1        | Tyco            |
| 39   |    | 1   | J101  | HEADER 8x2          |           |         |           | Header    | CONN2X8          | TSW-108-07-S-D   | Samtec          |
| 40   |    | 1   | J103  | 8x2 Shrouded Header |           |         |           | Shrouded  | CONN2X8-4W       | 5103309-3        | Tyco            |
| 41   |    | 1   | K1  | Relay               | HV        |         |           | DPDT      | RLY-TXS2SA       | FTR-C1GA4.5G     | Fujitsu         |
| 42   |    | 1   | LS1   | Speaker             | 0.5 W Max |         |           |           | SPEAKER-RE2308NL | RE-2308-NL       | Regal           |
| 43   |    | 1   | MK1   | Microphone          |           |         |           |           | MIC-6X2.7mm      | CMC-2742PBJ-A    | CUI Inc         |
| 44   |    | 2   | Q1 Q4   | MMBTA06LT1          | 500 mA    | 80 V    |           | NPN       | SOT23-BEC        | MMBTA06LT1       | On Semi         |
| 45   |    | 1   | Q3  | FCX1051ATA          | 2 W       | 40 V    |           | NPN       | SOT89-BCE        | FCX1051ATA       | Zetex           |
| 46   |    | 1   | Q5  | MMBT3906-7-F        | 200 mA    | 40 V    |           | PNP       | SOT23-BEC        | MMBT3906-7-F     | Diodes Inc.     |
| 47   |    | 4   | R1, R57, R98, R104  | 0.05 $\Omega$       | 1/4 W     |         | $\pm 5\%$ | ThickFilm | R0805            | LCR0805-R050J    | Venkel          |
| 49   |    | 2   | R3, R28   | 200 $\Omega$        | 1/10 W    |         | $\pm 1\%$ | ThickFilm | R0603            | CR0603-10W-2000F | Venkel          |
| 50   |    | 16  | R4, R17, R19, R20, R25, R31, R40, R41, R42, R43, R52, R60, R87, R91, R109, R110, R111, R112, R113 | 10 k $\Omega$       | 1/10 W    |         | $\pm 1\%$ | ThickFilm | R0603            | CR0603-10W-1002F | Venkel          |
| 51   |    | 6   | R5, R18, R36, R37, R38, R45   | 100 k $\Omega$      | 1/10 W    |         | $\pm 1\%$ | ThickFilm | R0603            | CR0603-10W-1003F | Venkel          |
| 52   |    | 4   | R6, R7, R11, R21  | 2 k $\Omega$        | 1/10 W    |         | $\pm 1\%$ | ThickFilm | R0603            | CR0603-10W-2001F | Venkel          |
| 53   |    | 2   | R9, R32   | 0 $\Omega$          | 1A        |         |           | ThickFilm | R0603            | CR0603-16W-000   | Venkel          |
| 54   |    | 1   | R10   | 4.7 k $\Omega$      | 1/16 W    |         | $\pm 5\%$ | ThickFilm | R0603            | CR0603-16W-472J  | Venkel          |
| 55   |    | 1   | R12   | 5.1 k $\Omega$      | 1/16 W    |         | $\pm 5\%$ | ThickFilm | R0603            | CR0603-16W-512J  | Venkel          |
| 56   |    | 2   | R13, R24  | 50 k $\Omega$       |           |         |           | TRIM      | POT-PV37W        | PV37W503C01B00   | Murata          |
| 57   |    | 5   | R14, R16, R33, R34, R35   | 1 k $\Omega$        | 1/16 W    |         | $\pm 1\%$ | ThickFilm | R0603            | CR0603-16W-1001F | Venkel          |

# Global Voice ISModem-EVB

**Table 7. Motherboard Bill of Materials (Continued)**

| Item | NI | Qty | Ref  | Value           | Rating    | Voltage | Tol         | Type        | PCB Footprint   | Mfr Part Number         | Mfr                     |
|------|----|-----|--|-----------------|-----------|---------|-------------|-------------|-----------------|-------------------------|-------------------------|
| 58   |    | 1   | R15  | 49.9 k $\Omega$ | 1/16 W    |         | $\pm 0.5\%$ | ThickFilm   | R0603           | CR0603-16W-4992D        | Venkel                  |
| 59   |    | 1   | R22  | 499 $\Omega$    | 1/10 W    |         | $\pm 1\%$   | ThickFilm   | R0603           | CR0603-10W-4990F        | Venkel                  |
| 60   |    | 3   | R23, R29, R44  | 3.01 k $\Omega$ | 1/16 W    |         | $\pm 1\%$   | ThickFilm   | R0603           | CR0603-16W-3011F        | Venkel                  |
| 61   |    | 1   | R27  | 324 k $\Omega$  | 1/10 W    |         | $\pm 1\%$   | ThickFilm   | R0603           | CR0603-10W-3243F        | Venkel                  |
| 62   |    | 1   | R30  | 10 M $\Omega$   | 1/16 W    |         | $\pm 1\%$   | ThickFilm   | R0603           | CR0603-16W-1005F        | Venkel                  |
| 64   |    | 1   | R59  | 1 $\Omega$      | 1/10 W    |         | $\pm 1\%$   | ThickFilm   | R0603           | CR0603-10W-1R00F        | Venkel                  |
| 65   |    | 2   | R69, R70   | 0 $\Omega$      | 10 A      |         | 0           | Wire        | RES-7MM         | ZOR-12-R                | Yageo                   |
| 66   |    | 2   | R84, R85   | 1.5 k $\Omega$  | 1/16 W    |         | $\pm 5\%$   | ThickFilm   | R0603           | CR0603-16W-152J         | Venkel                  |
| 67   |    | 1   | R96  | 3.57 $\Omega$   | 1/10 W    |         | $\pm 1\%$   | ThickFilm   | R0603           | CR0603-10W-3R57F        | Venkel                  |
| 68   |    | 3   | R97, R99, R101   | 200 $\Omega$    | 1/10 W    |         | $\pm 5\%$   | ThickFilm   | R0603           | CR0603-10W-2000J        | Venkel                  |
| 69   |    | 2   | R100, R102   | 1.33 K $\Omega$ | 1/10 W    |         | $\pm 1\%$   | ThickFilm   | R0603           | CR0603-10W-1331F        | Venkel                  |
| 70   |    | 2   | R103, R105   | 1.6 $\Omega$    | 1/4 W     |         | $\pm 5\%$   | ThickFilm   | R1206           | CR1206-8W-1R6J          | Venkel                  |
| 72   |    | 11  | R155, R156, R157, R158, R159, R160, R161, R162, R163, R169, R170 | 681 $\Omega$    | 1/10 W    |         | $\pm 1\%$   | ThickFilm   | R0603           | CR0603-10W-6810F        | Venkel                  |
| 73   |    | 1   | S1   | SW Pushbutton   | 50 mA     | 12 Vdc  |             | Tactile     | SW4N6.5X4.5-PB  | 101-0161-EV             | Mountain Switch         |
| 74   |    | 4   | TP1, TP10, TP12, TP13  | Red             |           |         |             | Loop        | Testpoint       | 151-207-RC              | Kobiconn                |
| 75   |    | 5   | TP2, TP7, TP8, TP9, TP25   | Turret          |           |         |             | Turret      | TP[12594]       | 2551-2-00-44-00-00-07-0 | Mill-Max                |
| 76   |    | 10  | TP5, TP6, TP16, TP17, TP19, TP20, TP21, TP22, TP23, TP24,        | Blue            |           |         |             | Loop        | Testpoint       | 151-205-RC              | Kobiconn                |
| 78   |    | 2   | U1, U3   | LT1963A-3.3 V   | 1.5 A max |         |             | LDO         | SOT223          | LT1963AEST-3.3#PBF      | Linear Technologies     |
| 79   |    | 1   | U2   | Si3000          |           |         |             | VOICE CODEC | SO16N6.0P1.27   | SI3000-KS               | Skyworks                |
| 80   |    | 1   | U4   | LM4862          |           |         |             |             | SO8N6.0P1.27    | LM4862M                 | National Semiconductor  |
| 81   |    | 1   | U5   | EEPROM 32K      |           |         |             | Serial      | TSSOP8N6.4P0.65 | 25LC320A-I/ST           | Microchip Technology    |
| 82   |    | 2   | U8, U10  | 5               | 0.5 A max |         |             | LDO         | TO263-3N        | LM2937ES-5.0            | National Semiconductors |
| 83   |    | 1   | U11  | MAX3237         |           | 5.5 V   |             | RS232       | TSSOP28         | MAX3237EIPWR            | TI                      |

# Global Voice ISModem-EVB

**Table 7. Motherboard Bill of Materials (Continued)**

| Item | NI | Qty | Ref              | Value          | Rating | Voltage | Tol | Type   | PCB Footprint    | Mfr Part Number       | Mfr                          |
|------|----|-----|------------------|----------------|--------|---------|-----|--------|------------------|-----------------------|------------------------------|
| 84   |    | 1   | U12              | CP2102         |        |         |     | MCU    | QFN28N5X5P0.5    | CP2102-GM             | Skyworks                     |
| 85   |    | 2   | U13, U14         | IDT74CBTLV3257 |        |         |     | MUX    | TSSOP16N6.4P0.65 | IDT74CBTLV3257PG<br>G | IDT                          |
| 86   |    | 1   | U18              | DS1818         |        | 3.3 V   | 10% |        | SOT-23           | DS1818-10             | Dallas<br>Semicon-<br>ductor |
| 87   |    | 3   | U20, U21,<br>U22 | AD8602ARM      |        |         |     |        | SOP8N4.9P0.65    | AD8602ARM             | Analog<br>Devices            |
| 88   |    | 1   | U26              | 74LCX541       |        |         |     | Buffer | TSSOP20N6.4P0.65 | 74LCX541MTC           | Fairchild                    |
| 89   |    | 1   | U27              | MAX4521        |        |         |     |        | TSSOP16N6.4P0.65 | MAX4521CUE+           | Maxim                        |

**Table 8. Motherboard Bill of Materials (Non-Populated Footprints)**

| Item | Qty | Reference   | Value | Rating | Tol      | Dielectric | PCB Footprint | Manufacturer Part Number | Manufacturer |
|------|-----|-------------|-------|--------|----------|------------|---------------|--------------------------|--------------|
| 91   | 3   | R1,R73,R102 | 0R    | 1/16 W |          |            | RC0603        | CR0603-16W-000T          | Venkel       |
| 92   | 2   | R31,R32     | 10k   | 1/16 W | ±5%      |            | RC0603        | CR0603-16W-103JT         | Venkel       |
| 93   | 1   | C10         | 10 uF | 10 V   | ±10<br>% | X7R        | CC0805        | GRM21BR71A106KE51L       | Murata       |

# Global Voice ISModem-EVB

## 7.2. Daughter Card Bill of Materials

**Table 9. Si24xx Daughter Card Bill of Materials**

| Item | Qty | Ref                          | Value        | Rating | Voltage | Tol  | Type      | PCB Footprint    | Mfr Part Number    | Mfr         |
|------|-----|------------------------------|--------------|--------|---------|------|-----------|------------------|--------------------|-------------|
| 1    | 2   | C1, C2                       | 33 pF        | Y2     | 250 V   | ±10% | Y2        | C1808            | SCC1808X330K502T   | Holy Stone  |
| 2    | 1   | C3                           | 0.01 µF      |        | 250 V   | ±10% | X7R       | C0805            | GRM21BR72E103KW03L | Murata      |
| 3    | 1   | C4                           | 1 µF         |        | 50 V    | ±20% | Alum_Elec | C3.3X3.3MM       | EEE1HS010SR        | Panasonic   |
| 4    | 2   | C5, C6                       | 0.1 µF       |        | 16 V    | ±20% | X7R       | C0603            | C0603X7R160-104M   | Venkel      |
| 5    | 1   | C7                           | 2.7 nF       |        | 50 V    | ±20% | X7R       | C0603            | C0603X7R500-272M   | Venkel      |
| 6    | 2   | C8, C9                       | 680 pF       | Y2     | 250 V   | ±10% | Y2        | C1808            | SCC1808X681K502T   | Holy Stone  |
| 7    | 1   | C10                          | 0.01 µF      |        | 16 V    | ±20% | X7R       | C0603            | C0603X7R160-103M   | Venkel      |
| 8    | 2   | C40, C41                     | 18 pF        |        | 50 V    | ±5%  | COG       | C0603            | C0603COG500-180J   | Venkel      |
| 9    | 3   | C50, C52, C56                | 0.1 µF       |        | 10 V    | ±20% | X7R       | C0603            | C0603X7R100-104M   | Venkel      |
| 10   | 2   | C51, C53                     | 0.22 µF      |        | 6.3 V   | ±10% | X5R       | C0603            | C0603X7R6R3-224K   | Venkel      |
| 11   | 1   | C54                          | 1 µF         |        | 25 V    | ±10% | X5R       | C0603            | C0603X5R250-105K   | Venkel      |
| 12   | 1   | D1                           | HD04         | 0.8 A  | 400 V   |      | BRIDGE    | MiniDIP4         | HD04-T             | Diodes Inc. |
| 13   | 3   | FB1, FB2, FB5                | 600 Ω        | 200 mA |         |      | SMT       | L0603            | BLM18AG601SN1      | Murata      |
| 14   | 1   | J1                           | SOCKET 8x2   |        |         |      | SOCKET    | SOCKETX8-100-SMT | SSW-108-22-G-D-VS  | Samtec      |
| 15   | 1   | J2                           | 4X1 Header_0 |        |         |      |           | CONN1X4-100-SMT  | TSM-104-01-T-SV    | Berg        |
| 16   | 2   | Q1 Q3                        | MMBTA42LT1   | 200 mA | 300 V   |      | NPN       | SOT23-BEC        | MMBTA42LT1         | On Semi     |
| 17   | 1   | Q2                           | MMBTA92LT1   | 100 mA | 300 V   |      | PNP       | SOT23-BEC        | MMBTA92LT1         | On Semi     |
| 18   | 2   | Q4 Q5                        | MMBTA06LT1   | 500 mA | 80 V    |      | NPN       | SOT23-BEC        | MMBTA06LT1         | On Semi     |
| 19   | 1   | RV1                          | P3100SB      |        | 275 V   |      | Sidactor  | DO-214AA-NP      | P3100SBL           | Littelfuse  |
| 20   | 1   | R1                           | 1.07 kΩ      | 1/2 W  |         | ±1%  | ThickFilm | R2010            | CR2010-2W-1071F    | Venkel      |
| 21   | 1   | R2                           | 150 Ω        | 1/16 W |         | ±5%  | ThickFilm | R0603            | CR0603-16W-151J    | Venkel      |
| 22   | 1   | R3                           | 3.65 kΩ      | 1/2 W  |         | ±1%  | ThickFilm | R2010            | CR2010-2W-3651F    | Venkel      |
| 23   | 1   | R4                           | 2.49 kΩ      | 1/2 W  |         | ±1%  | ThickFilm | R2010            | CR2010-2W-2491F    | Venkel      |
| 24   | 2   | R5, R6                       | 100 kΩ       | 1/16 W |         | ±5%  | ThickFilm | R0603            | CR0603-16W-104J    | Venkel      |
| 25   | 2   | R7, R8                       | 20 MΩ        | 1/8 W  |         | ±5%  | ThickFilm | R0805            | CR0805-8W-206J     | Venkel      |
| 26   | 1   | R9                           | 1 MΩ         | 1/16 W |         | ±1%  | ThickFilm | R0603            | CR0603-16W-1004F   | Venkel      |
| 27   | 1   | R10                          | 536 Ω        | 1/4 W  |         | ±1%  | ThickFilm | R1206            | CR1206-4W-5360F    | Venkel      |
| 28   | 1   | R11                          | 73.2 Ω       | 1/2 W  |         | ±1%  | ThickFilm | R2010            | CR2010-2W-73R2F    | Venkel      |
| 29   | 2   | R12, R13                     | 56.2 Ω       | 1/16 W |         | ±1%  | ThickFilm | R0603            | CR0603-16W-56R2F   | Venkel      |
| 30   | 2   | R15, R16                     | 0 Ω          | 1 A    |         |      | ThickFilm | R0603            | CR0603-16W-000     | Venkel      |
| 31   | 2   | R120, R121                   | 0 Ω          | 1 A    |         |      | ThickFilm | R0603            | CR0603-16W-000     | Venkel      |
| 32   | 1   | R18                          | 1.2 kΩ       | 1/10 W |         | ±5%  | ThickFilm | R0603            | CR0603-10W-121J    | Venkel      |
| 33   | 4   | R101, R102, R103, R104, R106 | 10 kΩ        | 1/10 W |         | ±5%  | ThickFilm | R0603            | CR0603-10W-103J    | Venkel      |
| 34   | 1   | R105                         | 1 kΩ         | 1/10 W |         | ±5%  | ThickFilm | R0603            | CR0603-10W-102J    | Venkel      |



# Global Voice ISOModem-EVB

**Table 9. Si24xx Daughter Card Bill of Materials (Continued)**

| Item | Qty | Ref                    | Value        | Rating | Voltage | Tol       | Type      | PCB Footprint    | Mfr Part Number  | Mfr                |
|------|-----|------------------------|--------------|--------|---------|-----------|-----------|------------------|------------------|--------------------|
| 35   | 3   | R110,<br>R111,<br>R112 | 200 $\Omega$ | 1/10 W |         | $\pm 5\%$ | ThickFilm | R0603            | CR0603-10W-2000J | Venkel             |
| 36   | 1   | U2                     | Si3018       |        | 300 V   |           | LineSide  | SO16N6.0P1.27    | Si3018-F-GS      | Skyworks Solutions |
| 37   | 1   | U12                    | Si24xx       |        |         |           | ISOMODEM  | TSSOP24N6.4P0.65 | Si2493-E-FT      | Skyworks Solutions |
| 38   | 1   | U13                    | Si24xx       |        |         |           |           | 16pin SOIC       | Si24xx           | Skyworks Solutions |
| 39   | 1   | Y1B<br>(Y1, Y3)        | 32.768 kHz   |        |         |           |           | XTAL-3X8-LD      | ECS-.327-12.5-8X | ECS International  |
| 40   | 1   | Z1                     | 43 V         | 500 mW | 43 V    |           | Zener     | SOD-123          | BZT52C43-7-F     | Diodes Inc.        |

**Table 10. Daughter Card Bill of Materials (Non-Populated Footprints)**

| Item | Qty | Reference               | Value             | Rating | Tol        | Dielectric | PCB Footprint | Manufacturer Part Number | Manufacturer       |
|------|-----|-------------------------|-------------------|--------|------------|------------|---------------|--------------------------|--------------------|
| 1    | 1   | C50                     | 0.1 $\mu\text{F}$ | 16 V   | $\pm 20\%$ | X7R        | CC0603        | C0603X7R160-104MNE       | Venkel             |
| 2    | 2   | C55,C56                 | 0.1 $\mu\text{F}$ | 10 V   | $\pm 20\%$ | X7R        | CC0603        | C0603C124K               | Kemet              |
| 3    | 1   | R18                     | 1.3 k $\Omega$    | 1/16 W | $\pm 5\%$  |            | RC0603        | CR0603-16W-132JT         | Venkel             |
| 4    | 5   | R19,R20,<br>R21,R22,R23 | 0 $\Omega$        | 1/16W  | $\pm 5\%$  |            | RC0603        | CR0603-16W-000J          | Venkel             |
| 5    | 1   | U4                      | Si2401            |        |            |            |               | 16pin SOIC               | Skyworks Solutions |

# Global Voice ISModem-EVB

## 7.3. QFN Daughter Card Bill of Materials

**Table 11. Si24xx QFN Daughter Card Bill of Materials**

| Item | Qty | Ref                           | Value      | Rating | Voltage | Tol  | Type      | PCB Footprint    | Mfr Part Number   | Mfr         |
|------|-----|-------------------------------|------------|--------|---------|------|-----------|------------------|-------------------|-------------|
| 1    | 2   | C1, C2                        | 33 pF      | Y2     | 250 V   | ±10% | Y2        | C1808            | SCC1808X330K502T  | Holy Stone  |
| 2    | 1   | C3                            | 0.01 µF    |        | 250 V   | ±10% | X7R       | C0805            | C0805X7R251-103K  | Venkel      |
| 3    | 1   | C4                            | 1 µF       |        | 50 V    | ±20% | Alum_Elec | C3.3X3.3MM       | EEE1HS010SR       | Panasonic   |
| 5    | 2   | C5, C6                        | 0.1 µF     |        | 16 V    | ±20% | X7R       | C0603            | C0603X7R160-104M  | Venkel      |
| 6    | 1   | C7                            | 2.7 nF     |        | 50 V    | ±20% | X7R       | C0603            | C0603X7R500-272M  | Venkel      |
| 7    | 2   | C8, C9                        | 680 pF     | Y2     | 250 V   | ±10% | Y2        | C1808            | SCC1808X681K502T  | Holy Stone  |
| 8    | 1   | C10                           | 0.01 µF    |        | 16 V    | ±20% | X7R       | C0603            | C0603X7R160-103M  | Venkel      |
| 9B   | 2   | C40, C41                      | 18 pF      |        | 50 V    | ±5%  | COG       | C0603            | C0603COG500-180J  | Venkel      |
| 10   | 5   | C50, C52,<br>C55, C56,<br>C57 | 0.1 µF     |        | 10 V    | ±10% | X7R       | C0402            | C0402X7R100-104K  | Venkel      |
| 11   | 1   | C51                           | 0.22 µF    |        | 10 V    | ±10% | X7R       | C0603            | C0603X7R100-224K  | Venkel      |
| 12   | 1   | C54                           | 1 µF       |        | 25 V    | ±10% | X5R       | C0603            | C0603X5R250-105K  | Venkel      |
| 13   | 1   | D1                            | HD04       | 0.8 A  | 400 V   |      | BRIDGE    | MiniDIP4         | HD04-T            | Diodes Inc. |
| 14   | 3   | FB1, FB2,<br>FB5              | 600 Ω      | 200 mA |         |      | SMT       | L0603            | BLM18AG601SN1     | MuRata      |
| 15   | 2   | JP1, JP2                      | JUMPER     |        |         |      | Header    | CONN-1X2         | TSW-102-07-T-S    | Samtec      |
| 16   | 1   | J1                            | SOCKET 8x2 |        |         |      | SOCKET    | SOCKETX8-100-SMT | SSW-108-22-G-D-VS | Samtec      |
| 17   | 1   | J2                            | 4X1 Header |        |         |      | SMT       | CONN1X4-TSM      | TSM-104-01-T-SV   | Samtec      |
| 18   | 2   | Q1, Q3                        | MMBTA42LT1 | 200 mA | 300 V   |      | NPN       | SOT23-BEC        | MMBTA42LT1        | On Semi     |
| 19   | 1   | Q2                            | MMBTA92LT1 | 100 mA | 300 V   |      | PNP       | SOT23-BEC        | MMBTA92LT1        | On Semi     |
| 20   | 2   | Q4, Q5                        | MMBTA06LT1 | 500 mA | 80 V    |      | NPN       | SOT23-BEC        | MMBTA06LT1        | On Semi     |
| 21   | 1   | RV1                           | P3100SB    |        | 275 V   |      | Sidactor  | DO-214AA-NP      | P3100SBL          | Littelfuse  |
| 22   | 1   | R1                            | 1.07 kΩ    | 1/2 W  |         | ±1%  | ThickFilm | R2010            | CR2010-2W-1071F   | Venkel      |
| 23   | 1   | R2                            | 150 Ω      | 1/16 W |         | ±5%  | ThickFilm | R0603            | CR0603-16W-151J   | Venkel      |
| 24   | 1   | R3                            | 3.65 kΩ    | 1/2 W  |         | ±1%  | ThickFilm | R2010            | CR2010-2W-3651F   | Venkel      |
| 25   | 1   | R4                            | 2.49 kΩ    | 1/2 W  |         | ±1%  | ThickFilm | R2010            | CR2010-2W-2491F   | Venkel      |
| 26   | 2   | R5, R6                        | 100 kΩ     | 1/16 W |         | ±5%  | ThickFilm | R0603            | CR0603-16W-104J   | Venkel      |
| 27   | 2   | R7, R8                        | 20 MΩ      | 1/8 W  |         | ±5%  | ThickFilm | R0805            | CR0805-8W-206J    | Venkel      |
| 28   | 1   | R9                            | 1 MΩ       | 1/16 W |         | ±1%  | ThickFilm | R0603            | CR0603-16W-1004F  | Venkel      |
| 29   | 1   | R10                           | 536 Ω      | 1/4 W  |         | ±1%  | ThickFilm | R1206            | CR1206-4W-5360F   | Venkel      |
| 30   | 1   | R11                           | 73.2 Ω     | 1/2 W  |         | ±1%  | ThickFilm | R2010            | CR2010-2W-73R2F   | Venkel      |
| 31   | 2   | R12, R13                      | 56.2 Ω     | 1/16 W |         | ±1%  | ThickFilm | R0603            | CR0603-16W-56R2F  | Venkel      |
| 32   | 2   | R15, R16                      | 0          | 1 A    |         |      | ThickFilm | R0603            | CR0603-16W-000    | Venkel      |

# Global Voice ISModem-EVB

**Table 11. Si24xx QFN Daughter Card Bill of Materials**

| Item | Qty | Ref        | Value          | Rating | Voltage | Tol       | Type      | PCB Footprint   | Mfr Part Number         | Mfr                  |
|------|-----|------------|----------------|--------|---------|-----------|-----------|-----------------|-------------------------|----------------------|
| 33   | 1   | R18        | 1.2 k $\Omega$ | 1/16 W |         | $\pm 5\%$ | ThickFilm | R0402           | CR0402-16W-122J         | Venkel               |
| 34   | 2   | R101, R104 | 10 k $\Omega$  | 1/10 W |         | $\pm 5\%$ | ThickFilm | R0603           | CR0603-10W-103J         | Venkel               |
| 36   | 1   | R122       | 0              | 1 A    |         |           | ThickFilm | R0402           | CR0402-16W-000          | Venkel               |
| 38   | 1   | U1         | Si2494/39      |        |         |           | ISMODEM   | QFN38N5X7P0.5   | Si2494-A-FM/Si2439-A-FM | Skyworks             |
| 39   | 1   | U2         | Si3018         |        | 300 V   |           | LineSide  | SO16N6.0P1.27   | Si3018-F-GS             | Skyworks             |
| 40   | 1   | U3         | EEPROM 32K     |        |         |           | Serial    | TSSOP8N6.4P0.65 | 25LC320A-I/ST           | Microchip Technology |
| 41   | 1   | Y1A        | 32.768 kHz     |        |         |           |           | XTAL-3X8-LD     | ECS-.327-12.5-8X        | ECS International    |
| 44   | 1   | Z1         | 43 V           | 500 mW | 43 V    |           | Zener     | SOD-123         | BZT52C43-7-F            | Diodes Inc.          |

**Table 12. Si24xx QFN Daughter Card Bill of Materials (Non-Populated Footprints)**

| Item | Qty | Ref        | Value         | Rating | Voltage | Tol        | Type      | PCB Footprint     | Mfr Part Number  | Mfr            |
|------|-----|------------|---------------|--------|---------|------------|-----------|-------------------|------------------|----------------|
| 4    | 1   | C4X        | 1 $\mu$ F     |        | 25 V    | $\pm 10\%$ | X8R       | C1206             | C3216X8R1E105K   | TDK            |
| 9    | 2   | C40, C41   | 33 pF         |        | 50 V    | $\pm 5\%$  | COG       | C0402             | C0402COG500-330J | Venkel         |
| 32B  | 2   | R120, R121 | 0 $\Omega$    | 1 A    |         |            | ThickFilm | R0603             | CR0603-16W-000   | Venkel         |
| 34   | 1   | R103       | 10 k $\Omega$ | 1/10 W |         | $\pm 5\%$  | ThickFilm | R0603             | CR0603-10W-103J  | Venkel         |
| 35   | 1   | R102       | 1 k $\Omega$  | 1/10 W |         | $\pm 5\%$  | ThickFilm | R0603             | CR0603-10W-1001J | Venkel         |
| 36B  | 1   | R123       | 0 $\Omega$    | 1 A    |         |            | ThickFilm | R0402             | CR0402-16W-000   | Venkel         |
| 42   | 1   | Y1B        | 4.9152 MHz    |        |         |            |           | XTAL-HC49U-SMT    | FOXSDLF/049-20   | FOX Electronic |
| 43   | 1   | Y1C        | 27 MHz        |        | 3.3 V   |            | XTAL OSC  | OSC4N5X3.2-FOX924 | FOX924B-27.000   | FOX            |

# Global Voice ISModem-EVB

---

## 8. Complete Design Package

(See Sales Representative for Details)

Skyworks Solutions can provide a complete design package of the Voice ISModem EVB including the following:

- OrCad Schematics
- Gerber Files
- UltraCOM Demo Software

Please initiate a service ticket here: <https://skyworks.service-now.com/csm>.

Please contact your local sales representative or Skyworks headquarters sales for ordering information.

## DOCUMENT CHANGE LIST

### Revision 0.1 to Revision 0.2

- Updated Voice Motherboard description, schematics, silkscreens, and configuration from 1.0 to 2.0 revision.
- Updated Daughtercard description, schematics, silkscreens, and configuration.
- Added support for Si2494/39 voice and data modems.
- Updated "Description" on page 1.
- Updated "2.Daughter Cards" on page 4.
- Added "4.1.7.Surge Protection Circuits" on page 23.
- Updated "4.1.8.2.The Call Progress Signal" on page 25.
- Updated "4.2.Daughter Cards" on page 27.
- Added "4.2.4.Daughter Card Strapping and Jumper Options" on page 28.
- Added "7.3.QFN Daughter Card Bill of Materials" on page 58.
- Added "8.Complete Design Package" on page 60.
- Updated Figure 5, "Function and Location of Global Voice ISOModem EVB Jumpers," on page 6.
- Updated Figure 29 on page 33.
- Added Figure 31, "QFN Daughter Card (Si24xx2G-QFN38-DC Rev 1.0) System Side," on page 35.
- Added Figure 32, "Daughter Card (Si24xx2G-QFN38-DC Rev 1.0) Line Side," on page 36.
- Added Figure 43, "QFN Daughter Card Primary Side, Component and Silkscreen," on page 47.
- Added Figure 44, "QFN Daughter Card Secondary Side, Component and Silkscreen," on page 48.
- Added Figure 45, "QFN Daughter Card Primary Side," on page 50.
- Added Figure 46, "QFN Daughter Card Secondary Side," on page 51.
- Updated Table 2, "Digital Data Related Jumpers," on page 7.
- Added Table 11, "Si24xx QFN Daughter Card Bill of Materials," on page 58.
- Added Table 12, "Si24xx QFN Daughter Card Bill of Materials (Non-Populated Footprints)," on page 59.

### Revision 0.2 to Revision 0.3

- Updated Table 3, "Sound Related Jumpers," on page 8.
- Corrected R13 adjustment information.
- Changed obsolete references, such as "JP5".
- Updated Table 5, "Board Configuration," on page 20.
  - Added missing jumper information.

### Revision 0.3 to Revision 0.4

- Updated "3.3.USB Interface Data Link Setup Quick Start" on page 9.
  - Removed JP5 reference.

### Revision 0.4 to Revision 0.5

- Updated Figures 1, 2, 3, 4, 5, 6, 7, 8, 9, 10, 11, 12, 13, 14, 15, 17, 33, and 43.
- Updated "3.3.USB Interface Data Link Setup Quick Start" on page 9.
- Updated "3.4.UltraCOM Installation Instructions" on page 9.
- Updated "8.Complete Design Package" on page 60.