

Si823Hx Data Sheet

4.0 A Symmetric Drive ISODrivers with Low Propagation Delay and High Transient Immunity

The Si823Hx combines two isolated gate drivers into a single package for high power applications. The Si823Hx includes devices with single or dual control inputs with independent or high-side/low-side outputs. These drivers can operate with a 3.0 – 5.5 V input VDD and a maximum drive supply voltage of 30 V.

The Si823Hx is ideal for driving power MOSFETs and IGBTs used in a wide variety of switched power and motor control applications. These drivers utilize Skyworks' proprietary silicon isolation technology, supporting up to 5 kV_{RMS} for 1 minute isolation voltage. This technology enables high CMTI (125 kV/μs), lower propagation delays and skew, little variation with temperature and age, and low part-to-part matching.

The unique architecture of the output stage features a booster device that provides a higher pull up capability at the Miller plateau region of the load power switch to support faster turn-on times. This driver family also offers some unique features such as over-temperature protection, output Undervoltage Lockout (UVLO) fault detection, dead time programmability and fail-safe drivers with default low in case of loss of input side power. The Si823Hx family offers longer service life and dramatically higher reliability compared to opto-coupled gate drivers.

Automotive Grade is available. These products are built using automotive specific flows at all steps in the manufacturing process to ensure the robustness and low defectivity required for automotive applications.

Industrial Applications

- Power delivery systems
- Motor control systems
- Isolated dc-dc power supplies
- Lighting control systems
- Solar and industrial inverters

Automotive Applications

- On-board chargers
- Battery management systems
- Charging stations
- Traction inverters
- Hybrid Electric Vehicles
- Battery Electric Vehicles

Safety Approval

- UL 1577 recognized
 - Up to 5000 V_{RMS} for 1 minute
- CSA certification conformity
 - IEC 62368-1 (reinforced insulation)
- VDE certification conformity
 - EN 62368-1 (reinforced insulation)
- CQC certification approval
 - GB4943.1

KEY FEATURES

- Single or two isolated drivers in one package
 - Up to 5 kV_{RMS} isolation
 - Up to 1500 V_{DC} peak driver-to-driver differential voltage
- EN pin for enhanced safety or DIS pin option
- PWM and dual driver versions
- 4.0 A sink/source peak output
- High electromagnetic immunity
- 30 ns max propagation delay
- Transient immunity: >125 kV/μs
- Programmable dead time: 20 – 200 ns
- Deglitch option for filtering noise
- Wide temperature range: –40 to +125 °C
- RoHS-compliant packages
 - WB SOIC-14
 - DFN-14
 - NB SOIC-8
 - SSO-8
 - NB SOIC-16
- AEC-Q100 qualification
- Automotive-grade OPNs available
 - AIAG-compliant PPAP documentation support
 - IMDS and CAMDS listing support

1. Ordering Guide

Industrial and Automotive Grade OPNs

Industrial-grade devices (part numbers having an “-I” in their suffix) are built using well-controlled, high-quality manufacturing flows to ensure robustness and reliability. Qualifications are compliant with JEDEC, and defect reduction methodologies are used throughout definition, design, evaluation, qualification, and mass production steps.

Automotive-grade devices (part numbers having an “-A” in their suffix) are built using automotive-specific flows at all steps in the manufacturing process to ensure robustness and low defectivity. These devices are supported with AIAG-compliant Production Part Approval Process (PPAP) documentation, and feature International Material Data System (IMDS) and China Automotive Material Data System (CAMDS) listing. Qualifications are compliant with AEC-Q100, and a zero-defect methodology is employed throughout definition, design, evaluation, qualification, and mass production steps.

Table 1.1. Si823Hx Ordering Guide

| Ordering Part Number (OPN) | Automotive OPN | Configuration | Output UVLO (V) | Enable / Disable | Dead Time Setting (ns) | Deglintch | Delayed Startup Time | Package Type | Isolation Rating (kV _{RMS}) |
|-------------------------------|----------------|----------------|-----------------|------------------|------------------------|-----------|----------------------|--------------|---------------------------------------|
| Products Available Now | | | | | | | | | |
| Si823H9AC-IS | Si823H9AC-AS | Single | 6 | EN | N/A | No | No | NB SOIC-8 | 3.75 |
| Si823H9BC-IS | Si823H9BC-AS | Single | 8 | EN | N/A | No | No | NB SOIC-8 | 3.75 |
| Si823H9CC-IS | Si823H9CC-AS | Single | 12 | EN | N/A | No | No | NB SOIC-8 | 3.75 |
| Si823H9TC-IS | Si823H9TC-AS | Single | 12 | DIS | N/A | No | No | NB SOIC-8 | 3.75 |
| Si823H1AB-IS1 | Si823H1AB-AS1 | HS/LS, VIA/VIB | 6 | DIS | 20–200 | No | No | NB SOIC-16 | 2.5 |
| Si823H1BB-IS1 | Si823H1BB-AS1 | HS/LS, VIA/VIB | 8 | DIS | 20–200 | No | No | NB SOIC-16 | 2.5 |
| Si823H1CB-IS1 | Si823H1CB-AS1 | HS/LS, VIA/VIB | 12 | DIS | 20–200 | No | No | NB SOIC-16 | 2.5 |
| Si823H2AB-IS1 | Si823H2AB-AS1 | HS/LS, VIA/VIB | 6 | EN | 20–200 | No | No | NB SOIC-16 | 2.5 |
| Si823H2BB-IS1 | Si823H2BB-AS1 | HS/LS, VIA/VIB | 8 | EN | 20–200 | No | No | NB SOIC-16 | 2.5 |
| Si823H2CB-IS1 | Si823H2CB-AS1 | HS/LS, VIA/VIB | 12 | EN | 20–200 | No | No | NB SOIC-16 | 2.5 |
| Si823H3AB-IS1 | Si823H3AB-AS1 | HS/LS, VIA/VIB | 6 | DIS | 20–200 | Yes | No | NB SOIC-16 | 2.5 |
| Si823H3BB-IS1 | Si823H3BB-AS1 | HS/LS, VIA/VIB | 8 | DIS | 20–200 | Yes | No | NB SOIC-16 | 2.5 |
| Si823H3CB-IS1 | Si823H3CB-AS1 | HS/LS, VIA/VIB | 12 | DIS | 20–200 | Yes | No | NB SOIC-16 | 2.5 |
| Si823H4AB-IS1 | Si823H4AB-AS1 | HS/LS, PWM | 6 | EN | 20–200 | No | No | NB SOIC-16 | 2.5 |
| Si823H4BB-IS1 | Si823H4BB-AS1 | HS/LS, PWM | 8 | EN | 20–200 | No | No | NB SOIC-16 | 2.5 |
| Si823H4CB-IS1 | Si823H4CB-AS1 | HS/LS, PWM | 12 | EN | 20–200 | No | No | NB SOIC-16 | 2.5 |
| Si823H5AB-IS1 | Si823H5AB-AS1 | Dual, VIA, VIB | 6 | EN | N/A | No | No | NB SOIC-16 | 2.5 |
| Si823H5BB-IS1 | Si823H5BB-AS1 | Dual, VIA, VIB | 8 | EN | N/A | No | No | NB SOIC-16 | 2.5 |
| Si823H5CB-IS1 | Si823H5CB-AS1 | Dual, VIA, VIB | 12 | EN | N/A | No | No | NB SOIC-16 | 2.5 |
| Si823H6AB-IS1 | Si823H6AB-AS1 | Dual, VIA, VIB | 6 | DIS | N/A | No | No | NB SOIC-16 | 2.5 |
| Si823H6BB-IS1 | Si823H6BB-AS1 | Dual, VIA, VIB | 8 | DIS | N/A | No | No | NB SOIC-16 | 2.5 |
| Si823H6CB-IS1 | Si823H6CB-AS1 | Dual, VIA, VIB | 12 | DIS | N/A | No | No | NB SOIC-16 | 2.5 |
| Si823H7AB-IS1 | Si823H7AB-AS1 | Dual, VIA, VIB | 6 | EN | N/A | No | Yes | NB SOIC-16 | 2.5 |
| Si823H7BB-IS1 | Si823H7BB-AS1 | Dual, VIA, VIB | 8 | EN | N/A | No | Yes | NB SOIC-16 | 2.5 |
| Si823H7CB-IS1 | Si823H7CB-AS1 | Dual, VIA, VIB | 12 | EN | N/A | No | Yes | NB SOIC-16 | 2.5 |

| Ordering Part Number (OPN) | Automotive OPN | Configuration | Output UVLO (V) | Enable / Disable | Dead Time Setting (ns) | Deglintch | Delayed Startup Time | Package Type | Isolation Rating (kV _{RMS}) |
|----------------------------|----------------|----------------|-----------------|------------------|------------------------|-----------|----------------------|--------------|---------------------------------------|
| Si823H8AB-IS1 | Si823H8AB-AS1 | HS/LS, PWM | 6 | DIS | 20–200 | No | No | NB SOIC-16 | 2.5 |
| Si823H8BB-IS1 | Si823H8BB-AS1 | HS/LS, PWM | 8 | DIS | 20–200 | No | No | NB SOIC-16 | 2.5 |
| Si823H8CB-IS1 | Si823H8CB-AS1 | HS/LS, PWM | 12 | DIS | 20–200 | No | No | NB SOIC-16 | 2.5 |
| Si823H1AB-IM1 | Si823H1AB-AM1 | HS/LS, VIA/VIB | 6 | DIS | 20–200 | No | No | DFN-14 | 2.5 |
| Si823H1BB-IM1 | Si823H1BB-AM1 | HS/LS, VIA/VIB | 8 | DIS | 20–200 | No | No | DFN-14 | 2.5 |
| Si823H1CB-IM1 | Si823H1CB-AM1 | HS/LS, VIA/VIB | 12 | DIS | 20–200 | No | No | DFN-14 | 2.5 |
| Si823H3AB-IM1 | Si823H3AB-AM1 | HS/LS, VIA/VIB | 6 | DIS | 20–200 | Yes | No | DFN-14 | 2.5 |
| Si823H3BB-IM1 | Si823H3BB-AM1 | HS/LS, VIA/VIB | 8 | DIS | 20–200 | Yes | No | DFN-14 | 2.5 |
| Si823H3CB-IM1 | Si823H3CB-AM1 | HS/LS, VIA/VIB | 12 | DIS | 20–200 | Yes | No | DFN-14 | 2.5 |
| Si823H5AB-IM1 | Si823H5AB-AM1 | Dual, VIA, VIB | 6 | EN | N/A | No | No | DFN-14 | 2.5 |
| Si823H5BB-IM1 | Si823H5BB-AM1 | Dual, VIA, VIB | 8 | EN | N/A | No | No | DFN-14 | 2.5 |
| Si823H5CB-IM1 | Si823H5CB-AM1 | Dual, VIA, VIB | 12 | EN | N/A | No | No | DFN-14 | 2.5 |
| Si823H6AB-IM1 | Si823H6AB-AM1 | Dual, VIA, VIB | 6 | DIS | N/A | No | No | DFN-14 | 2.5 |
| Si823H6BB-IM1 | Si823H6BB-AM1 | Dual, VIA, VIB | 8 | DIS | N/A | No | No | DFN-14 | 2.5 |
| Si823H6CB-IM1 | Si823H6CB-AM1 | Dual, VIA, VIB | 12 | DIS | N/A | No | No | DFN-14 | 2.5 |
| Si823H8AB-IM1 | Si823H8AB-AM1 | HS/LS, PWM | 6 | DIS | 20–200 | No | No | DFN-14 | 2.5 |
| Si823H8BB-IM1 | Si823H8BB-AM1 | HS/LS, PWM | 8 | DIS | 20–200 | No | No | DFN-14 | 2.5 |
| Si823H8CB-IM1 | Si823H8CB-AM1 | HS/LS, PWM | 12 | DIS | 20–200 | No | No | DFN-14 | 2.5 |
| Si823H9AD-IS4 | Si823H9AD-AS4 | Single | 6 | EN | N/A | No | No | SSO-8 | 5 |
| Si823H9BD-IS4 | Si823H9BD-AS4 | Single | 8 | EN | N/A | No | No | SSO-8 | 5 |
| Si823H9CD-IS4 | Si823H9CD-AS4 | Single | 12 | EN | N/A | No | No | SSO-8 | 5 |
| Si823H9TD-IS4 | Si823H9TD-AS4 | Single | 12 | DIS | N/A | No | No | SSO-8 | 5 |
| Si823H1AD-IS3 | Si823H1AD-AS3 | HS/LS, VIA/VIB | 6 | DIS | 20–200 | No | No | WB SOIC-14 | 5 |
| Si823H1BD-IS3 | Si823H1BD-AS3 | HS/LS, VIA/VIB | 8 | DIS | 20–200 | No | No | WB SOIC-14 | 5 |
| Si823H1CD-IS3 | Si823H1CD-AS3 | HS/LS, VIA/VIB | 12 | DIS | 20–200 | No | No | WB SOIC-14 | 5 |
| Si823H2AD-IS3 | Si823H2AD-AS3 | HS/LS, VIA/VIB | 6 | EN | 20–200 | No | No | WB SOIC-14 | 5 |
| Si823H2BD-IS3 | Si823H2BD-AS3 | HS/LS, VIA/VIB | 8 | EN | 20–200 | No | No | WB SOIC-14 | 5 |
| Si823H2CD-IS3 | Si823H2CD-AS3 | HS/LS, VIA/VIB | 12 | EN | 20–200 | No | No | WB SOIC-14 | 5 |
| Si823H3AD-IS3 | Si823H3AD-AS3 | HS/LS, VIA/VIB | 6 | DIS | 20–200 | Yes | No | WB SOIC-14 | 5 |
| Si823H3BD-IS3 | Si823H3BD-AS3 | HS/LS, VIA/VIB | 8 | DIS | 20–200 | Yes | No | WB SOIC-14 | 5 |
| Si823H3CD-IS3 | Si823H3CD-AS3 | HS/LS, VIA/VIB | 12 | DIS | 20–200 | Yes | No | WB SOIC-14 | 5 |
| Si823H4AD-IS3 | Si823H4AD-AS3 | HS/LS, PWM | 6 | EN | 20–200 | No | No | WB SOIC-14 | 5 |
| Si823H4BD-IS3 | Si823H4BD-AS3 | HS/LS, PWM | 8 | EN | 20–200 | No | No | WB SOIC-14 | 5 |
| Si823H4CD-IS3 | Si823H4CD-AS3 | HS/LS, PWM | 12 | EN | 20–200 | No | No | WB SOIC-14 | 5 |
| Si823H5AD-IS3 | Si823H5AD-AS3 | Dual, VIA, VIB | 6 | EN | N/A | No | No | WB SOIC-14 | 5 |

| Ordering Part Number (OPN) | Automotive OPN | Configuration | Output UVLO (V) | Enable / Disable | Dead Time Setting (ns) | Deglitch | Delayed Startup Time | Package Type | Isolation Rating (kV _{RMS}) |
|----------------------------|----------------|----------------|-----------------|------------------|------------------------|----------|----------------------|--------------|---------------------------------------|
| Si823H5BD-IS3 | Si823H5BD-AS3 | Dual, VIA, VIB | 8 | EN | N/A | No | No | WB SOIC-14 | 5 |
| Si823H5CD-IS3 | Si823H5CD-AS3 | Dual, VIA, VIB | 12 | EN | N/A | No | No | WB SOIC-14 | 5 |
| Si823H6AD-IS3 | Si823H6AD-AS3 | Dual, VIA, VIB | 6 | DIS | N/A | No | No | WB SOIC-14 | 5 |
| Si823H6BD-IS3 | Si823H6BD-AS3 | Dual, VIA, VIB | 8 | DIS | N/A | No | No | WB SOIC-14 | 5 |
| Si823H6CD-IS3 | Si823H6CD-AS3 | Dual, VIA, VIB | 12 | DIS | N/A | No | No | WB SOIC-14 | 5 |
| Si823H7AD-IS3 | Si823H7AD-AS3 | Dual, VIA, VIB | 6 | EN | N/A | No | Yes | WB SOIC-14 | 5 |
| Si823H7BD-IS3 | Si823H7BD-AS3 | Dual, VIA, VIB | 8 | EN | N/A | No | Yes | WB SOIC-14 | 5 |
| Si823H7CD-IS3 | Si823H7CD-AS3 | Dual, VIA, VIB | 12 | EN | N/A | No | Yes | WB SOIC-14 | 5 |
| Si823H8AD-IS3 | Si823H8AD-AS3 | HS/LS, PWM | 6 | DIS | 20–200 | No | No | WB SOIC-14 | 5 |
| Si823H8BD-IS3 | Si823H8BD-AS3 | HS/LS, PWM | 8 | DIS | 20–200 | No | No | WB SOIC-14 | 5 |
| Si823H8CD-IS3 | Si823H8CD-AS3 | HS/LS, PWM | 12 | DIS | 20–200 | No | No | WB SOIC-14 | 5 |

- All products are rated at 4 A sink and source output drive current max.
- All packages are RoHS-compliant with peak reflow temperatures of 260 °C according to the JEDEC industry standard classifications and peak solder temperatures.
- “Si” and “SI” are used interchangeably.
- All HS/LS drivers have built-in overlap protection while the single and dual drivers do not.
- All options are rated for ambient temperatures from -40 °C to +125 °C, and are recommended for industrial or automotive grade operation.
- An “R” at the end of the part number denotes tape and the reel packaging option.
- Automotive-Grade devices (with an “-A” suffix) are identical in construction materials and electrical parameters to their Industrial-Grade (with an “-I” suffix) version counterpart. Automotive-Grade products are produced utilizing full automotive process flows and additional statistical process controls throughout the manufacturing flow. The Automotive-Grade part number is included on shipping labels.
- In [Top Markings](#), the Manufacturing Code represented by either “RTTTTT” or “TTTTTT” contains as its first character a letter in the range N through Z to indicate Automotive-Grade.

Table of Contents

| | |
|--|-----------|
| 1. Ordering Guide | 2 |
| 2. System Overview | 7 |
| 2.1 Functional Description | 7 |
| 2.2 Family Overview and Logic Operation During Startup | 8 |
| 2.2.1 Device Behavior | 8 |
| 2.3 Layout Considerations | 10 |
| 2.4 Undervoltage Lockout Operation | 10 |
| 2.4.1 Device Startup | 10 |
| 2.4.2 Undervoltage Lockout | 11 |
| 2.5 Control Inputs | 12 |
| 2.6 Enable Input | 12 |
| 2.7 Disable Input | 12 |
| 2.8 Delayed Startup Time | 12 |
| 2.9 Programmable Dead Time and Overlap Protection | 13 |
| 2.10 De-glitch Feature | 14 |
| 2.11 Thermal Protection | 14 |
| 2.12 Driver Output Booster Function | 14 |
| 3. Applications | 15 |
| 3.1 Si823H9 Single Driver | 15 |
| 3.2 Si823H9T Single Driver | 15 |
| 3.3 PWM Input Driver | 16 |
| 3.4 Dual Driver or HS/LS Driver | 17 |
| 4. Electrical Characteristics | 18 |
| 4.1 Typical Operating Characteristics | 24 |
| 5. Top-Level Block Diagrams | 26 |
| 6. Pin Descriptions | 30 |
| 7. Package Outlines | 32 |
| 7.1 8-Pin Narrow Body SOIC (NB SOIC-8) | 32 |
| 7.2 8-Pin Wide Body Stretched SOIC (SSO-8) | 33 |
| 7.3 16-Pin Narrow Body SOIC (NB SOIC-16) | 34 |
| 7.4 14-Pin Wide Body SOIC (WB SOIC-14) | 36 |
| 7.5 14 LD DFN (DFN-14) | 37 |
| 8. Land Patterns | 38 |
| 8.1 8-Pin Narrow Body SOIC (NB SOIC-8) | 38 |
| 8.2 8-Pin Wide Body Stretched SOIC (SSO-8) | 39 |

- 8.3 16-Pin Narrow Body SOIC (NB SOIC-16)40
- 8.4 14-Pin Wide Body SOIC (WB SOIC-14)41
- 8.5 14 LD DFN42
- 9. Top Markings 43**
- 9.1 8-Pin Narrow Body SOIC (NB SOIC-8)43
- 9.2 8-Pin Wide Body Stretched SOIC (SSO-8)44
- 9.3 16-Pin Narrow Body SOIC (NB SOIC-16)45
- 9.4 14-Pin Wide Body SOIC (WB SOIC-14)46
- 9.5 14 LD DFN47
- 10. Revision History. 48**

2. System Overview

2.1 Functional Description

The operation of an Si823Hx channel is analogous to that of an optocoupler and gate driver, except an RF carrier is modulated instead of light. This simple architecture provides a robust isolated data path and requires no special considerations or initialization at start-up. A simplified block diagram for a single Si823Hx channel is shown in the figure below.

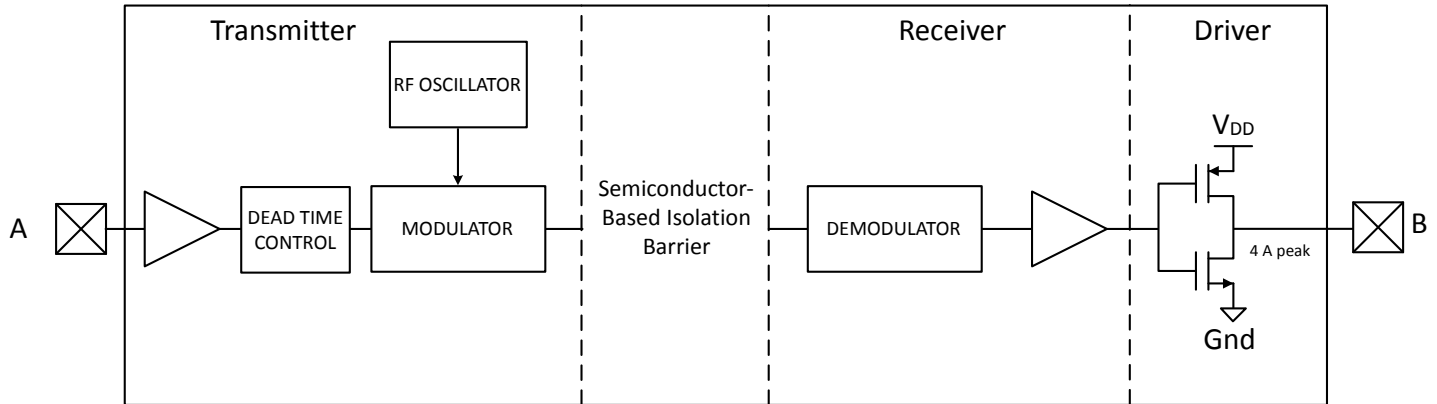


Figure 2.1. Simplified Channel Diagram

A channel consists of an RF Transmitter and RF Receiver separated by a semiconductor based isolation barrier. Referring to the Transmitter, input A modulates the carrier provided by an RF oscillator using on/off keying. The Receiver contains a demodulator that decodes the input state according to its RF energy content and applies the result to output B via the output driver. This RF on/off keying scheme is superior to pulse code schemes as it provides best-in-class noise immunity, low power consumption, and better immunity to magnetic fields. See the figure below for more details.

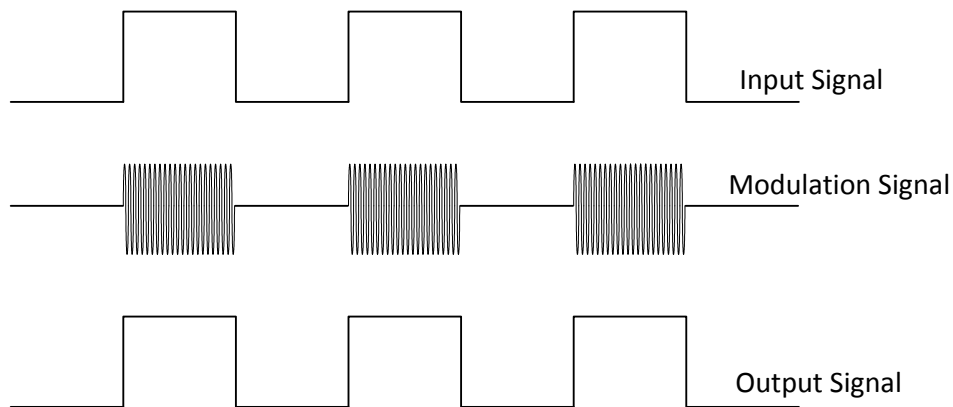


Figure 2.2. Modulation Scheme

2.2 Family Overview and Logic Operation During Startup

The Si823Hx family of isolated drivers consists of single, high-side/low-side, and dual driver configurations.

2.2.1 Device Behavior

The following are truth tables for the Si823Hx families.

Table 2.1. Si823H9 Single Channel Driver

| VI | EN ¹ | VDDI | VDD | VO+ | VO- | Notes |
|----|-----------------|-----------------|-----|-----------------|-----------------|--|
| H | H | P | P | H | Hi-Z | |
| L | H | P | P | Hi-Z | L | |
| X | L or NC | P | P | Hi-Z | L | Device disabled |
| X | X | UP ¹ | P | Hi-Z | L | Fail-safe output when VDDI is unpowered. |
| X | X | X | UP | UD ² | UD ² | Output undetermined if VDD is unpowered. |

P = Powered, UP = Unpowered

Notes:

1. The chip can be powered through the VI input ESD diodes even if VDDI is unpowered. It is recommended that inputs be left unpowered when VDDI is unpowered.
2. UD = undetermined if same side power is UP.

Table 2.2. Si823H9T Single Channel Driver

| VI | DIS | VDDI ¹ | VDD ¹ | VO | Notes |
|----|---------|-------------------|------------------|-----------------|--|
| H | L or NC | P | P | H | |
| L | L or NC | P | P | L | |
| X | H | P | P | L | Device disabled. |
| X | X | UP ² | P | L | Fail-safe output when VDDI is unpowered. |
| X | X | X | UP | UD ³ | Output undetermined if VDD is unpowered. |

Note:

1. P = Powered; UP = Unpowered.
2. The chip can be powered through the VI input ESD diodes even if VDDI is unpowered. It is recommended that inputs be left unpowered when VDDI is unpowered.
3. UD = undetermined if same side power is UP.

Table 2.3. Si823H1/2/3/5/6/7 HS/LS and Dual (VIA/VIB) Drivers

| VIA | VIB | DIS / EN ¹ | VDDI | VDDA | VDDB | VOA | VOB | Notes |
|-----|-----|-----------------------|-----------------|------|------|--------------------|--------------------|--------------------------------------|
| H | L | L / H | P | P | P | H | L | |
| L | H | L / H | P | P | P | L | H | |
| H | H | L / H | P | P | P | H / L ⁴ | H / L ⁴ | |
| L | L | L / H | P | P | P | L | L | |
| X | X | H / L or NC | P | P | P | L | L | Device disabled |
| X | X | X | UP ² | P | P | L | L | Fail-safe output when VDDI unpowered |
| H | X | L / H | P | P | UP | H | UD ³ | VOB depends on VDDB state |
| L | X | L / H | P | P | UP | L | UD ³ | |
| X | H | L / H | P | UP | P | UD ³ | H | VOA depends on VDDA state |
| X | L | L / H | P | UP | P | UD ³ | L | |

P = Powered, UP = Unpowered

Notes:

1. There are different product options available. For any one product, either EN or DIS is present.
2. The chip can be powered through the VIA, VIB input ESD diodes even if VDDI is unpowered. It is recommended that inputs be left unpowered when VDDI is unpowered.
3. UD = undetermined if same side power is UP.
4. On the HS/LS driver (Si823H1/2/3) options, VOA and VOB = L when VIA and VIB = H; for dual driver options (Si823H5/6), VOA and VOB = H when VIA and VIB = H.

Table 2.4. Si823H4/8 PWM Input HS/LS Drivers

| PWM | DIS / EN ¹ | VDDI | VDDA | VDDB | VOA | VOB | Notes |
|-----|-----------------------|-----------------|------|------|-----------------|-----------------|--|
| H | L / H | P | P | P | H | L | See Figure 2.7 Dead Time note and Dead Time Waveforms for High-Side/Low-Side Drivers on page 13 for timing |
| L | L / H | P | P | P | L | H | |
| X | H / L or NC | P | P | P | L | L | Device disabled |
| X | X | UP ² | P | P | L | L | Fail-safe output when VDDI unpowered |
| H | L / H | P | P | UP | H | UD ³ | VOB depends on VDDB state |
| L | L / H | P | P | UP | L | UD ³ | |
| H | L / H | P | UP | P | UD ³ | L | VOA depends on VDDA state |
| L | L / H | P | UP | P | UD ³ | H | |

P = Powered, UP = Unpowered

Note:

1. There are different product options available. For any one product, either EN or DIS is present.
2. The chip can be powered through the VIA, VIB input ESD diodes even if VDDI is unpowered. It is recommended that inputs be left unpowered when VDDI is unpowered. The EN pin has a special ESD circuit that prevents the IC from powering up through the EN pin.
3. UD = undetermined if same side power is UP.

2.3 Layout Considerations

It is most important to minimize ringing in the drive path and noise on the Si823Hx VDD lines. Care must be taken to minimize parasitic inductance in these paths by locating the Si823Hx as close to the device it is driving as possible. In addition, the VDD supply and ground trace paths must be kept short. For this reason, the use of power and ground planes is highly recommended. A split ground plane system having separate ground and VDD planes for power devices and small signal components provides the best overall noise performance. For placement of the decoupling capacitors, it is recommended that the 0.1 μf capacitor should be placed as close as possible to the VDDA/B supply pins. The 10 μf capacitor can be a little farther away.

2.4 Undervoltage Lockout Operation

Device behavior during start-up, normal operation and shutdown is shown in [2.4.2 Undervoltage Lockout](#), where UVLO+ and UVLO- are the positive-going and negative-going thresholds respectively. Note that outputs VOA and VOB default low when input side power supply (VDDI) is not present.

2.4.1 Device Startup

Outputs VOA and VOB are held low during power-up until VDD is above the UVLO threshold for time period tSTART. Following this, the outputs follow the states of inputs VIA and VIB.

2.4.2 Undervoltage Lockout

Undervoltage Lockout (UVLO) is provided to prevent erroneous operation during device startup and shutdown or when VDD is below its specified operating circuits range. The input (control) side, Driver A, and Driver B each have their own undervoltage lockout monitors.

The Si823Hx input side enters UVLO when $VDDI \leq VDDI_{UV-}$, and exits UVLO when $VDDI > VDDI_{UV+}$. The driver outputs, VOA and VOB, remain low when the input side of the Si823Hx is in UVLO and their respective VDD supply (VDDA, VDDDB) is within tolerance. Each driver output can enter or exit UVLO independently. For example, VOA unconditionally enters UVLO when VDDA falls below $VDDA_{UV-}$ and exits UVLO when VDDA rises above $VDDA_{UV+}$.

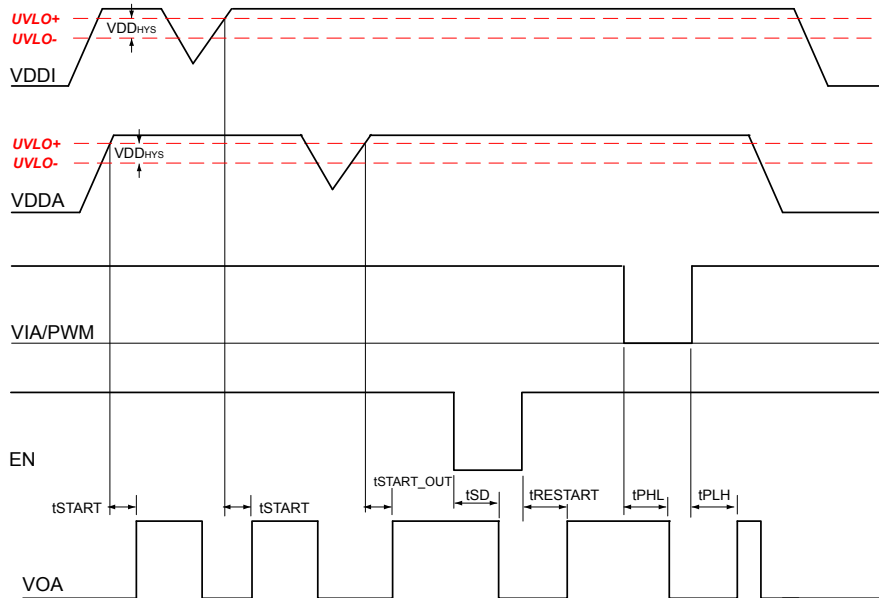


Figure 2.3. Si823H2/4/5/7/9 Device Behavior During Normal Operation and Shutdown

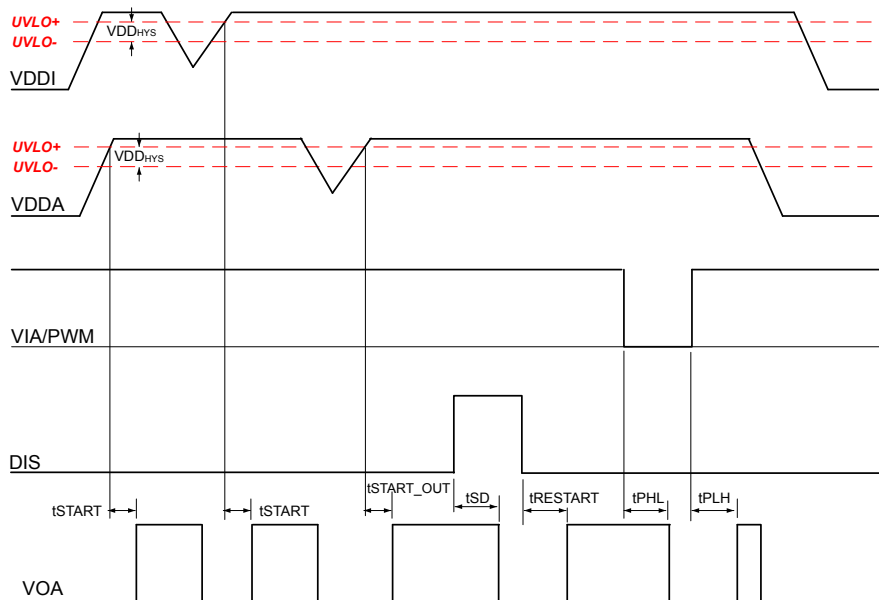


Figure 2.4. Si823H1/3/6/8 Device Behavior During Normal Operation and Shutdown



Figure 2.5. Si823H7 (Delayed Startup Time of t_{START_SAFE}) Device Behavior During Normal Operation and Shutdown

2.5 Control Inputs

VIA, VIB, and PWM inputs are high-true, TTL level-compatible logic inputs. A logic high signal on VIA or VIB causes the corresponding output to go high. For PWM input versions (Si823H4/8), VOA is high and VOB is low when the PWM input is high, and VOA is low and VOB is high when the PWM input is low.

2.6 Enable Input

When brought low, the EN input unconditionally drives VOA and VOB low regardless of the states of VIA and VIB. Device operation terminates within t_{SD} after $EN = V_{IL}$ and resumes within $t_{RESTART}$ after $EN = V_{IH}$. The EN input has no effect if VDDI is below its UVLO level (i.e., VOA, VOB remain low). There is an internal pull-down resistor of 100 k Ω on the EN pin.

2.7 Disable Input

When brought high, the DISABLE input unconditionally drives VOA and VOB low regardless of the states of VIA and VIB. (For the Si823H9Tx, when brought high, the DISABLE input unconditionally drives VO low regardless of the state of VI.) Device operation terminates within t_{SD} after $DISABLE = V_{IH}$ and resumes within $t_{RESTART}$ after $DISABLE = V_{IL}$ or open. The DISABLE input has no effect if VDDI is below its UVLO level (i.e., VOA, VOB remain low). There is an internal pull-down resistor of 100 k Ω on the DIS pin.

2.8 Delayed Startup Time

Product options Si823H7 have a safe startup time ($t_{STARTUP_SAFE}$) of 1 ms typical from input power valid to output showing valid data. This feature allows users to proceed through a safe initialization sequence with a monotonic output behavior.

2.9 Programmable Dead Time and Overlap Protection

All high-side/low-side drivers and PWM drivers (single input) include programmable dead time, which adds a user-programmable delay between transitions of VOA and VOB. When asserted, dead time is present only on output rising edges, when the other input is also high. If only one input is high, there is no dead time added to the output transition. Please see figure below for a graphical representation of dead time implementation. The amount of dead time delay (DT) is programmed by a single resistor (RDT) connected from the DT input to ground per the equation below. The DT is measured as the time elapsed between VOA low to VOB high and vice versa.

For products with Dead Time setting of 20-200ns:

$$DT \sim 1.8 \times (RDT) + 12, \text{ where } DT = \text{Typical Dead Time in ns, } RDT = \text{Dead Time Resistor in k}\Omega$$



Figure 2.6. Dead Time Implementation & Behavior

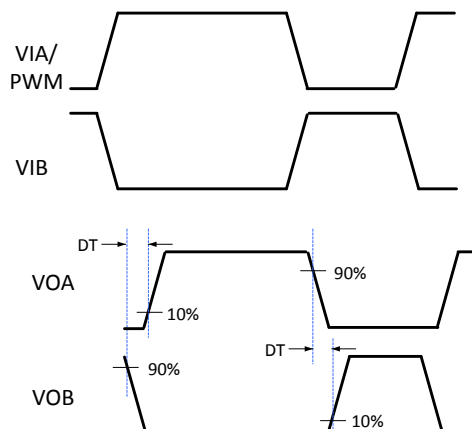


Figure 2.7. Dead Time Waveforms for High-Side/Low-Side Drivers

2.10 De-glitch Feature

A de-glitch feature is provided on some devices, as defined in the [1. Ordering Guide](#). The de-glitch basically provides an internal time delay during which any noise is ignored and will not pass through the IC. There are two distinct de-glitch circuits, one each on the input and output (after the signal has been coupled across the isolation barrier) side. Please see [Table 4.1 Electrical Characteristics on page 18](#) for the delays associated with these circuits.

2.11 Thermal Protection

Si823Hx has built-in temperature sensors for protection against high temperature resulting from overloading the driver, too high of an ambient temperature, or external component failures. If high internal temperature ($>150\text{ }^{\circ}\text{C}$) is detected, the output is forced to low state.

2.12 Driver Output Booster Function

The output driver pull-up capability is enabled by two parallel drivers: a standard PMOS device and an NMOS helper transistor. The PMOS device provides a standard 1 A pull-up and the DC pull-up when VO is close to VDD. The NMOS helper provides higher pull-up currents around the miller plateau of the driven power transistor, supporting fast turn-on times. See [Figure 2.8 on page 14](#) for the internal architecture scheme and [Figure 2.9 on page 14](#) for the pull-up current characteristics.

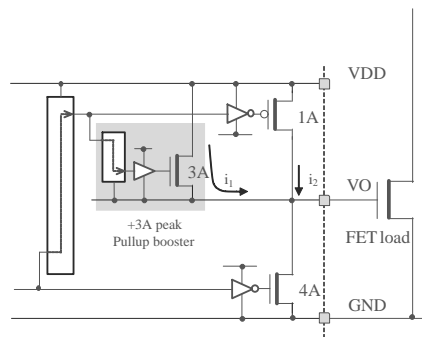


Figure 2.8. Pull-Up Booster Simplified Architecture

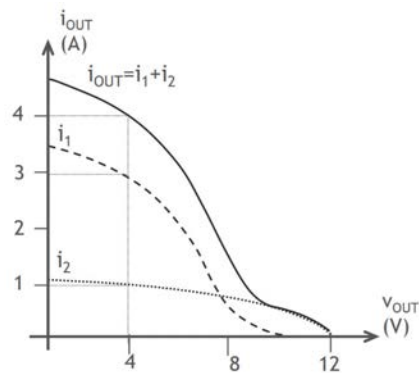


Figure 2.9. Pull-Up Current Characteristics, VDD = 12 V

3. Applications

The following examples illustrate typical circuit configurations using the Si823Hx.

3.1 Si823H9 Single Driver

The following figure shows the Si823H9 single driver controlled by a single digital signal. Note that the input side of the Si823H9 requires VDDI in the range of 3.0 to 5.5 V, while the VDD output side supply must be between 5.5 and 30 V referred to GND. The VO+ (pull-up) and VO- (pull-down) outputs are shown connected to the gate of Q1. The gate resistors Rg1 and Rg2 shown could be different values to allow full utilization of the separate pull-up and pull-down outputs provided to control turn-on and turn-off times respectively. Also note that the bypass capacitors on the Si823H9 should be located as close to the chip as possible.

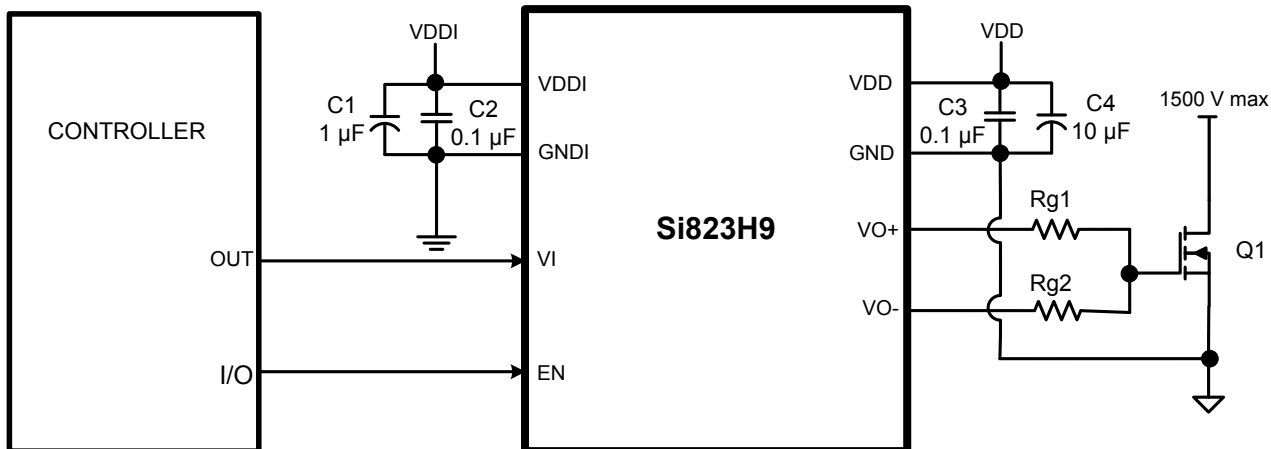


Figure 3.1. Si823H9 Single Driver

3.2 Si823H9T Single Driver

The following figure shows the Si823H9T single driver controlled by a single digital signal. Note that the input side of the Si823H9T requires VDDI in the range of 3.0 to 5.5 V, while the VDD output side supply must be between 5.5 and 30 V referred to GND. The VO output is shown connected to the gate of Q1. The gate resistor shown, Rg, can have different values to control turn-on and turn-off times. Also note that the bypass capacitors on the Si823H9T should be located as close to the chip as possible.

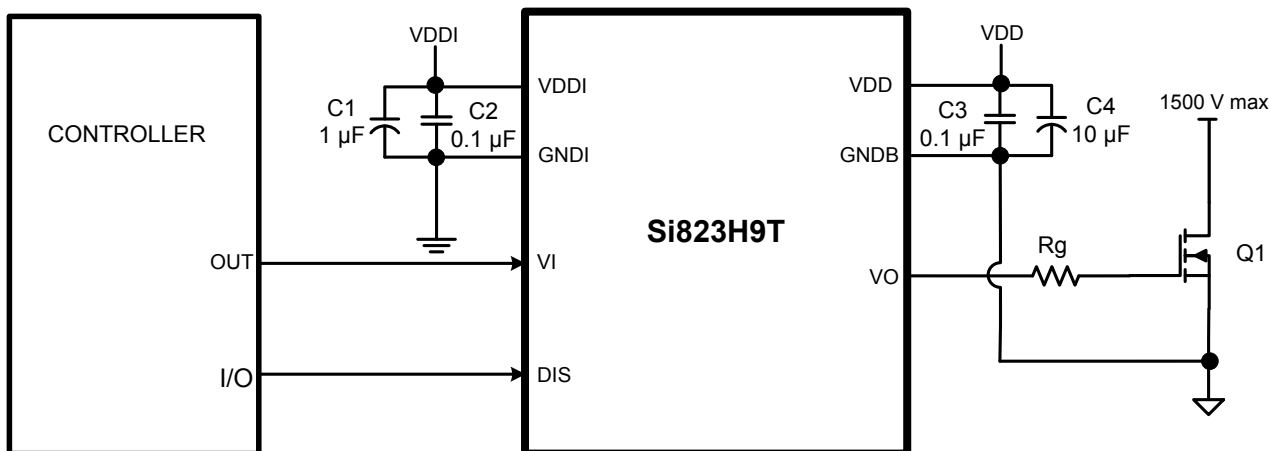


Figure 3.2. Si823H9T Single Driver

3.3 PWM Input Driver

The following figure shows the Si823Hx controlled by a single PWM signal.

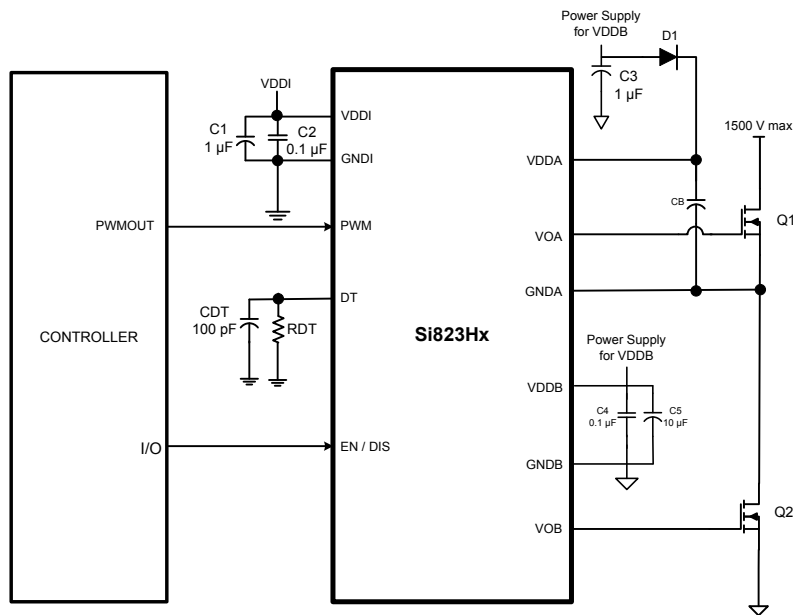


Figure 3.3. Si823H4/8 PWM input with EN/DIS Pin Application Diagram

In the above figure, D1 and CB form a conventional bootstrap circuit that allows VOA to operate as a high-side driver for Q1, which has a maximum drain voltage of 1500 V. VOB is connected as a conventional low-side driver. Note that the input side of the Si823Hx requires VDDI in the range of 3.0 to 5.5 V, while the VDDA and VDDB output side supplies must be between 5.5 and 30 V referred to their respective grounds. The boot-strap start up time will depend on the CB cap chosen. Also note that the bypass capacitors on the Si823Hx should be located as close to the chip as possible.

3.4 Dual Driver or HS/LS Driver

The following figure shows the device configured as a dual driver or HS/LS driver. Note that the drain voltages of Q1 and Q2 can be referenced to a common ground or to different grounds with as much as 1500 Vdc between them.



Figure 3.4. Si823H1/2/3/5/6/7 with EN/DIS Pin Application Diagram

Because each output driver resides on its own die, the relative voltage polarities of VOA and VOB can reverse without damaging the driver. A dual driver can operate as a dual low-side or dual high-side driver and is unaffected by static or dynamic voltage polarity changes.

4. Electrical Characteristics

Table 4.1. Electrical Characteristics^{1, 2}

| Parameter | Symbol | Test Condition | Min | Typ | Max | Unit |
|---|---------------------------------------|---|------|-----|------|------|
| DC Specifications | | | | | | |
| Input-side Power Supply Voltage | VDDI | | 3.0 | | 5.5 | V |
| Driver Supply Voltage | VDDA, VDDDB, VDD | Voltage between VDDA and GNDA, and VDDDB and GNDB, or VDD and GND | 5.5 | — | 30 | V |
| Input Supply Quiescent Current EN = 0 | IDDI(Q) | | — | 1.3 | 2.0 | mA |
| Input Supply Active Current (with one channel active) | IDDI | Input freq = 1 MHz | — | 2.2 | 3.3 | mA |
| Input Supply Active Current (with both channels active) | IDDI | Input freq = 1 MHz | — | 3.6 | 4.75 | mA |
| Output Supply Quiescent Current, per channel EN = 0 | IDDA(Q), IDDB(Q), IDD (Q) | | — | 2.3 | 2.8 | mA |
| Output Supply Active Current, per channel | IDDA/B, IDD | Input freq = 1 MHz, no load | — | 5.6 | 9.0 | mA |
| Input Pin Leakage Current, VIA, VIB, VI, PWM | IVIA, IVIB, IPWM, IVI | | -10 | — | +10 | μA |
| Input Pin Leakage Current, EN, DIS | IENABLE, IDISABLE | | -40 | — | +40 | μA |
| Logic High Input Threshold | VIH | TTL Levels | 1.6 | 1.8 | 2.0 | V |
| Logic Low Input Threshold | VIL | TTL Levels | 0.8 | 1 | 1.2 | V |
| Input Hysteresis | VIHYST | | | 800 | — | mV |
| Logic High Output Voltage | VOAH, VOBH, VOH+, VOH | IO = -1 mA | | — | — | V |
| Logic Low Output Voltage | VOAL, VOBL, VOL-, VOL | IO = 1 mA | — | — | 0.04 | V |
| Output Short-Circuit Pulsed Sink Current | IOA(SCL), IOB(SCL), IO-(SCL), IO(SCL) | CL = 220 nF | — | 4.0 | — | A |
| Output Short-Circuit Pulsed Source Current | IOA(SCH), IOB(SCH), IO+(SCH), IO(SCH) | CL = 220 nF | — | 4.0 | — | A |
| Output Sink Resistance | R _{ON(SINK)} | | — | 1.0 | — | Ω |
| Output Source Resistance | R _{ON(SOURCE)} | | — | 4.2 | — | Ω |
| VDDI Undervoltage Threshold | VDDI _{UV+} | VDDI rising | 1.9 | 2.1 | 2.4 | V |
| | VDDI _{UV-} | VDDI falling | 1.85 | 2.0 | 2.3 | V |
| VDDI Lockout Hysteresis | VDDI _{HYS} | | 30 | 60 | — | mV |

| Parameter | Symbol | Test Condition | Min | Typ | Max | Unit |
|---|---|--|------|------|------|------|
| VDDA, VDDB Undervoltage Threshold | VDDA _{UV+} , VDDB _{UV+} , VDD _{UV+} | VDDA, VDDB, VDD rising | 5.6 | 6.1 | 6.6 | V |
| 6 V Threshold | | | 7.5 | 8.1 | 8.8 | |
| 8 V Threshold | | | 11.3 | 12.2 | 13.4 | |
| VDDA, VDDB Undervoltage Threshold | VDDA _{UV-} , VDDB _{UV-} , VDD _{UV-} | VDDA, VDDB, VDD falling | 5.4 | 5.8 | 6.3 | V |
| 6 V Threshold | | | 7.0 | 7.6 | 8.2 | |
| 8 V Threshold | | | 10.3 | 11.1 | 12.0 | |
| VDDA, VDDB Lockout Hysteresis | VDDA _{HYS} , VDDB _{HYS} , VDD _{HYS} | UVLO = 6 V | 250 | 320 | — | mV |
| | | UVLO = 8 V | 450 | 550 | — | |
| | | UVLO = 12 V | 950 | 1200 | — | |
| AC Specifications | | | | | | |
| Minimum Pulse Width (No Load) | PW _{min} | Si823H1/2/5/6/7/9x (with no deglitch) | — | 30 | — | ns |
| | | Si823H3x (with deglitch) | — | 96 | — | ns |
| Propagation Delay | t _{pHL} , t _{pLH} | Si823H1/2/5/6/7/9x (with no deglitch) | 10 | 19 | 30 | ns |
| | | Si823H3x (with deglitch) | 56 | 89 | 116 | ns |
| | t _{pHL} | Si823H4/8 (with no deglitch; measured with 6 kΩ RDT resistor; in- cludes minimum dead time) | 10 | 19 | 30 | ns |
| | t _{pLH} | | 14 | 39 | 58 | ns |
| VDDA/B = 12 V CL = 0 pF | | | | | | |
| Output Channel to Channel Skew | t _{PSK} | | | 3 | 5 | ns |
| Propagation Delay Skew ³ | t _{PSK(P-P)} | | — | — | 10 | ns |
| Pulse Width Distortion t _{pLH} – t _{pHL} | PWD | VDDA/B = 12 V CL = 0 pF | — | 2.7 | 5 | ns |
| Programmed Dead Time when available | DT | RDT = 6 kΩ | 10 | 20 | 28 | ns |
| | | RDT = 15 kΩ | 29 | 38 | 47 | |
| | | RDT = 100 kΩ | 145 | 180 | 210 | |
| Output Rise and Fall Time | t _R , t _F | CL = 200 pF | — | — | 12 | ns |
| Shutdown Time from Enable False (or Disable True) | t _{SD} | All options with no deglitch | — | — | 35 | ns |
| | | All options with deglitch | — | — | 65 | |
| Restart Time from Enable True (or Disable False) | t _{RESTART} | All options with no deglitch | — | — | 35 | ns |
| | | All options with deglitch | — | — | 65 | |

| Parameter | Symbol | Test Condition | Min | Typ | Max | Unit |
|---|-------------------|--|-----|-----|-----|-------------|
| Device Start-up Time Input Time from VDDI_ = VDDI_UV+ to VOA, VOB = VIA, VIB | t_{START_SAFE} | Si823H7 | — | 1 | — | ms |
| | t_{START} | Si823H1/2/3/4/5/6/8/9 | — | 40 | — | μ s |
| Device Start-up Time Output Time from VDDA/B/VDD = VDDA/VDDB/ VDD_UV+ to VOA, VOB, VO = VIA, VIB, VI | t_{START_OUT} | Si823H1/2/3/4/5/6/7/8/9 | — | 60 | — | μ s |
| Common Mode Transient Immunity | CMTI | VIA, VIB, VI, PWM = VDDI or 0 V, VCM = 1500 V | 125 | — | — | kV/ μ s |

Note:

- 3.0 V < VDDI < 5.5 V; 6.5 V < VDDA, VDDB < 30 V; TA = -40 to +125 °C.
- Typical specs at 25 °C, VDDA = VDDB = 12 V for 5 V and 8 V UVLO devices, otherwise 15 V.
- $t_{PSK(P-P)}$ is the magnitude of the difference in propagation delay times measured between different units operating at the same supply voltages, load, and ambient temperature.

Test Circuits

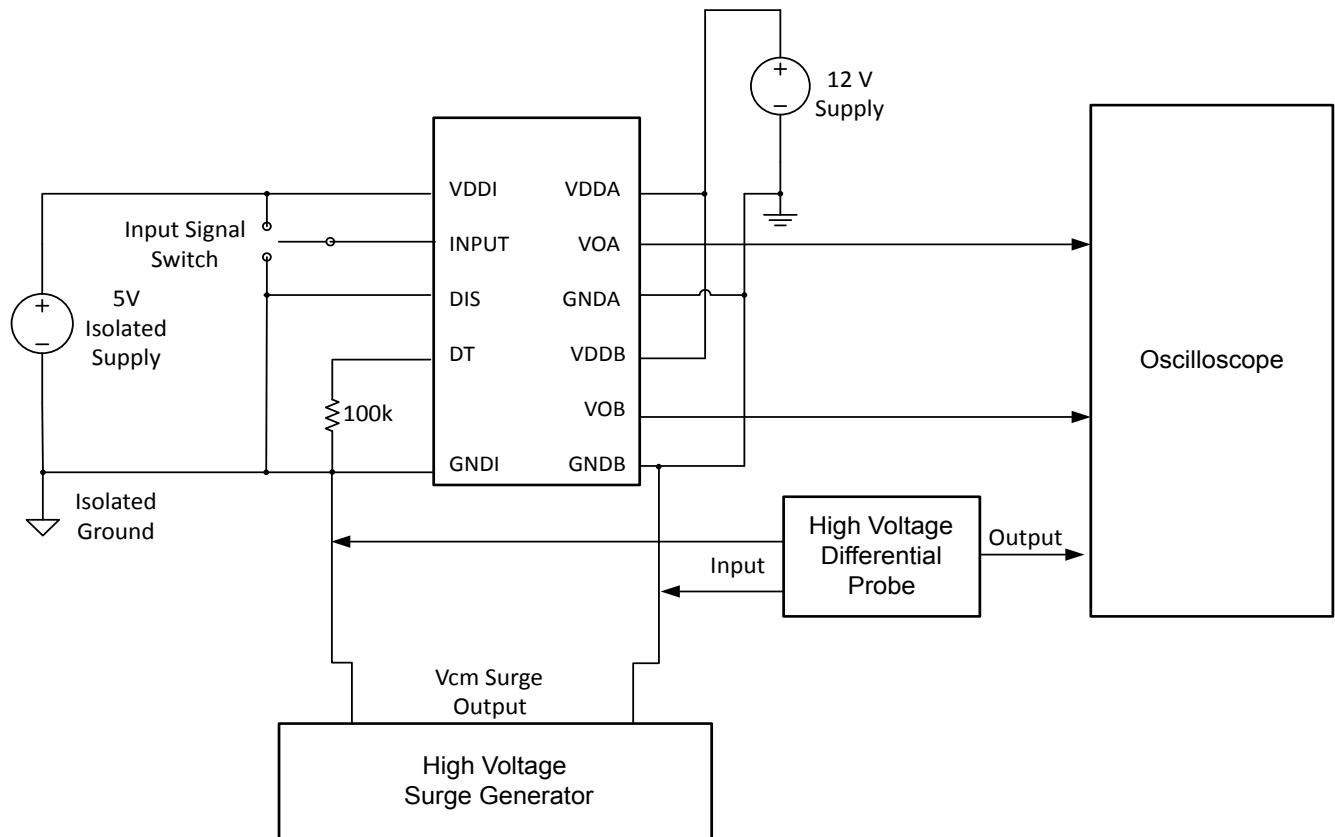


Figure 4.1. Common Mode Transient Immunity (CMTI) Test Circuit

Table 4.2. Regulatory Information^{1, 3, 4}

| |
|--|
| CSA |
| The Si823Hx is certified under CSA, see Master Contract Number 232873. |
| 62368-1: Up to 600 V _{RMS} reinforced insulation working voltage; up to 1000 V _{RMS} basic insulation working voltage. |
| VDE |
| The Si823Hx is certified under VDE. For more details, see File 5006301. |
| 62368-1: Up to 600 V _{RMS} reinforced insulation working voltage; up to 1000 V _{RMS} basic insulation working voltage. |
| UL |
| The Si823Hx is certified under UL1577 component recognition program. For more details, see File E257455. |
| Rated up to 5000 V _{RMS} isolation voltage V _{ISO} for basic protection. |
| CQC |
| The Si823Hx is certified under GB4943.1-2011. |
| Rated up to 250 V _{RMS} reinforced insulation working voltage at 5000 meters. |
| Note: |
| <ol style="list-style-type: none"> 1. Regulatory Certifications apply to 2.5 kV_{RMS} rated devices which are production tested to 3.0 kV_{RMS} for 1sec. 2. Regulatory Certifications apply to 3.75 kV_{RMS} rated devices which are production tested to 4.5 kV_{RMS} for 1sec. 3. Regulatory Certifications apply to 5.0 kV_{RMS} rated devices which are production tested to 6.0 kV_{RMS} for 1sec. 4. For more information, see Chapter 1. Ordering Guide. |

Table 4.3. Insulation and Safety-Related Specifications

| Parameter | Symbol | Test Condition | Value | | | | | Unit |
|---|-----------------|----------------|-------------------------------------|-------------------------------------|------------------------------|-----------------------------------|---------------------------------|------|
| | | | NB SOIC-16 2.5 kV _{RMS} | NB SOIC-8 3.75 kV _{RMS} | SSO-8 5 kV _{RMS} | WB SOIC-14 5 kV _{RMS} | DFN-14 2.5 kV _{RMS} | |
| Nominal External Air Gap (Clearance) ¹ | CLR | | 4.7 | 4.7 | 9.0 | 8.0 | 3.5 | mm |
| Nominal External Tracking (Creepage) ¹ | CRP | | 3.9 | 3.9 | 8.0 | 8.0 | 3.5 | mm |
| Minimum Internal Gap (Internal Clearance) | DTI | | 0.016 | 0.016 | 0.016 | 0.016 | 0.016 | mm |
| Tracking Resistance | CTI or PTI | IEC60112 | 600 | 600 | 600 | 600 | 600 | V |
| Erosion Depth | ED | | 0.019 | 0.031 | 0.040 | 0.019 | Top: 0.051 | mm |
| | | | | | | | Bottom: 0.087 | |
| Resistance (Input-Output) ² | R _{IO} | | 10 ¹² | 10 ¹² | 10 ¹² | 10 ¹² | 10 ¹² | Ω |
| Capacitance (Input-Output) ² | C _{IO} | f = 1 MHz | 2.0 | 1.3 | 1.0 | 1.7 | 1.7 | pF |
| Input Capacitance ³ | C _I | | 3.0 | 2.8 | 2.8 | 3.0 | 2.9 | pF |

Notes:

1. The values in this table correspond to the nominal creepage and clearance values.
2. To determine resistance and capacitance, the device is converted into a 2-terminal device. All pins on side 1 and all pins on side 2 are shorted.
3. Measured from input pin to ground.

Table 4.4. IEC 60664-1 Ratings

| Parameter | Test Condition | Specification | |
|-----------------------------|---|----------------------|-------------------------|
| | | SSO-8, WB SOIC-14 | NB SOIC-8/16, DFN-14 |
| Basic Isolation Group | Material Group | I | I |
| Installation Classification | Rated Mains Voltages < 150 V _{RMS} | I-IV | I-IV |
| | Rated Mains Voltages < 300 V _{RMS} | I-IV | I-IV |
| | Rated Mains Voltages < 400 V _{RMS} | I-IV | I-III |
| | Rated Mains Voltages < 600 V _{RMS} | I-IV | I-III |

Table 4.5. Thermal Characteristics

| Parameter | Symbol | NB SOIC-16 | NB SOIC-8 | SSO-8 | WB SOIC-14 | DFN-14 | Unit |
|---------------------------------------|-----------------|------------|-----------|-------|------------|--------|------|
| IC Junction-to-Air Thermal Resistance | θ _{JA} | 63 | 110 | 90 | 59 | 105 | °C/W |

Table 4.6. Absolute Maximum Ratings¹

| Parameter | Symbol | Min | Max | Unit |
|---|-------------------------------------|------|-----------|------|
| Ambient Temperature under Bias | TA | –40 | +125 | °C |
| Storage Temperature | TSTG | –65 | +150 | °C |
| Junction Temperature | TJ | — | +150 | °C |
| Input-side Supply Voltage | VDDI | –0.6 | 6.0 | V |
| Driver-side Supply Voltage | VDDA, VDDDB, VDD | –0.6 | 36 | V |
| Voltage on any Pin with respect to Ground | VIA, VIB, VI Transient for 50 ns | –5.0 | VDD + 0.5 | V |
| | VIA, VIB, VI, EN, DIS,DT | –0.6 | VDD + 0.5 | |
| Peak Output Current (tPW = 10 μ s, duty cycle = 0.2%) | IOPK | — | 6.0 | A |
| Lead Solder Temperature (10 s) | | — | 260 | °C |
| ESD per AEC-Q100 | HBM | — | 4 | kV |
| | CDM (EN/DIS pin only) | — | 0.25 | kV |
| | CDM (all other pins) | — | 0.5 | kV |

Note:

1. Permanent device damage may occur if the absolute maximum ratings are exceeded. Functional operation should be restricted to the conditions as specified in the operational sections of this data sheet. Exposure to absolute maximum rating conditions for extended periods may affect device reliability.

4.1 Typical Operating Characteristics

The typical performance characteristics depicted in this subsection are for information purposes only. Refer to Chapter 4. [Electrical Characteristics](#) for actual specification limits.



Figure 4.2. Rise/Fall Time vs. Supply Voltage



Figure 4.3. Propagation Delay vs. Supply Voltage (No de-glitch product options)



Figure 4.4. Rise/Fall Time vs. Load



Figure 4.5. Propagation Delay vs. Load (No de-glitch product options)



Figure 4.6. Propagation Delay vs. Temperature



Figure 4.7. Supply Current vs. Temperature



Figure 4.8. Supply Current vs. Supply Voltage ($C_L = 0$ pF)

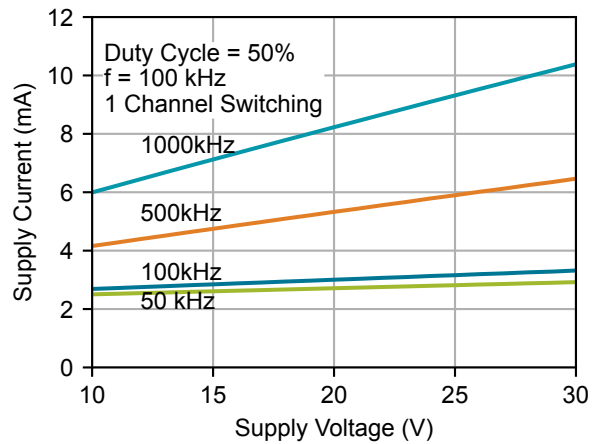


Figure 4.9. Supply Current vs. Supply Voltage ($C_L = 100$ pF)



Figure 4.10. Peak Output Current vs. Supply Voltage



Figure 4.11. Peak Output Current vs. Temperature

5. Top-Level Block Diagrams



Figure 5.1. Si823H9 Single Isolated Drivers



Figure 5.2. Si823H9T Single Isolated Drivers



Figure 5.3. Si823H2 HS/LS Isolated Drivers with EN



Figure 5.4. Si823H1/3 HS/LS Isolated Drivers with DIS



Figure 5.5. Si823H4 Single-Input Isolated Drivers with EN



Figure 5.6. Si823H8 Single-Input Isolated Drivers with DIS

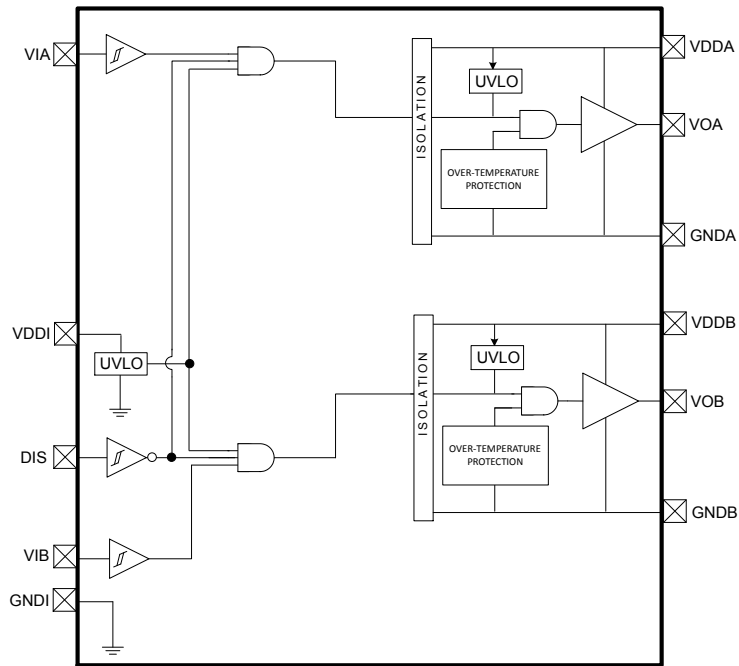


Figure 5.7. Si823H6 Dual Isolated Drivers with DIS

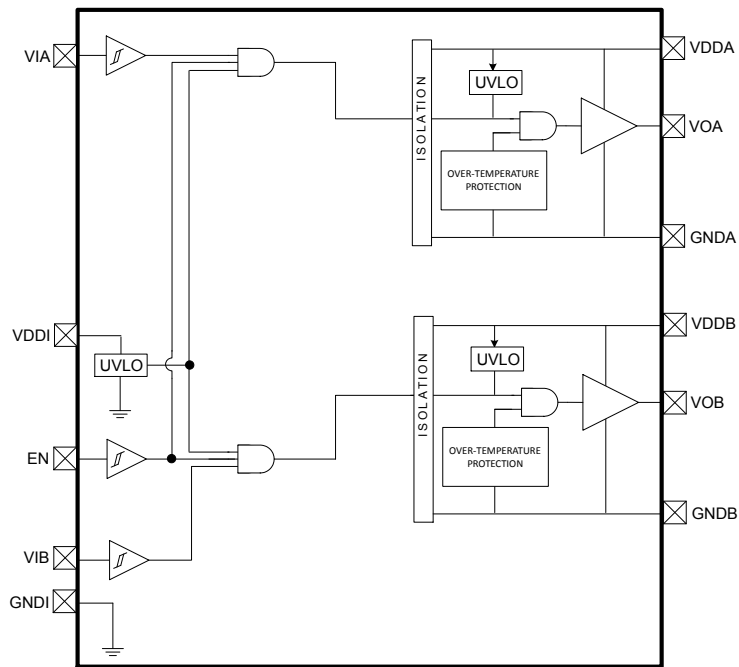


Figure 5.8. Si823H5/7 Dual Isolated Drivers with EN

6. Pin Descriptions



Figure 6.1. Si823H9 NB and Si823H9T NB SOIC-8 and SSO-8



Figure 6.2. Si823Hx NB SOIC-16



Figure 6.3. Si823Hx WB SOIC-14

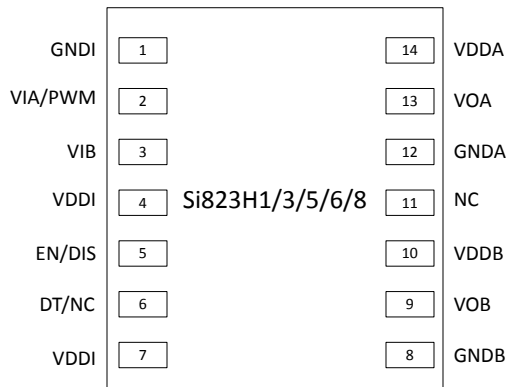


Figure 6.4. Si823Hx DFN-14

Table 6.1. Pin Descriptions

| Pin Name | Description |
|----------|---|
| PWM | PWM input |
| VI | Non-inverting logic input terminal for single driver. |
| VIA | Non-inverting logic input terminal for Driver A. |
| VIB | Non-inverting logic input terminal for Driver B. |
| VDDI | Input-side power supply terminal; connect to a source of 3.0 to 5.5 V. |
| GNDI | Input-side ground terminal. |
| EN | Device ENABLE. When asserted, this input enables normal operation of the device. When low or NC, this input unconditionally drives outputs VOA, VOB LOW. When high, device is enabled to perform in normal operating mode. It is strongly recommended that this input be connected to external logic level to avoid erroneous operation due to capacitive noise coupling. |
| DIS | Device DISABLE. When asserted, this input unconditionally drives outputs VOA, VOB LOW. (For Si823H9Tx, when asserted, this input unconditionally drives output VO LOW.) When low or NC, device is enabled to perform in normal operating mode. It is strongly recommended that this input be connected to external logic level to avoid erroneous operation due to capacitive noise coupling. |
| DT | Dead time programming input. The value of the resistor connected from DT to ground sets the dead time between output transitions of VOA and VOB. |
| NC | No connection. |
| GNDB | Ground terminal for Driver B. |
| GND | Ground terminal for single driver. |
| VOB | Driver B output (low-side driver). |
| VDDB | Driver B power supply voltage terminal; connect to a source of 5.5 to 30 V. |
| GNDA | Ground terminal for Driver A. |
| VOA | Driver A output (high-side driver). |
| VO+ | Pull-up output for single driver. |
| VO- | Pull-down output for single driver. |
| VO | Driver output for single driver. |
| VDD | Driver supply for single driver. |
| VDDA | Driver A power supply voltage terminal; connect to a source of 5.5 to 30 V. |

7. Package Outlines

7.1 8-Pin Narrow Body SOIC (NB SOIC-8)

The figure below illustrates the package details for the Si823Hx in an 8-pin narrow-body SOIC package. The table below lists the values for the dimensions shown in the illustration.



Figure 7.1. 8-Pin Narrow Body SOIC Package

Table 7.1. 8-Pin Narrow Body SOIC Package Diagram Dimensions

| Symbol | Millimeters | |
|----------|-------------|----------|
| | Min | Max |
| A | 1.35 | 1.75 |
| A1 | 0.10 | 0.25 |
| A2 | 1.40 REF | 1.55 REF |
| B | 0.33 | 0.51 |
| C | 0.19 | 0.25 |
| D | 4.80 | 5.00 |
| E | 3.80 | 4.00 |
| e | 1.27 BSC | |
| H | 5.80 | 6.20 |
| h | 0.25 | 0.50 |
| L | 0.40 | 1.27 |
| α | 0° | 8° |

7.2 8-Pin Wide Body Stretched SOIC (SSO-8)

The figure below illustrates the package details for the Si823Hx in a 8-Pin Wide Body Stretched SOIC package. The table below lists the values for the dimensions shown in the illustration.

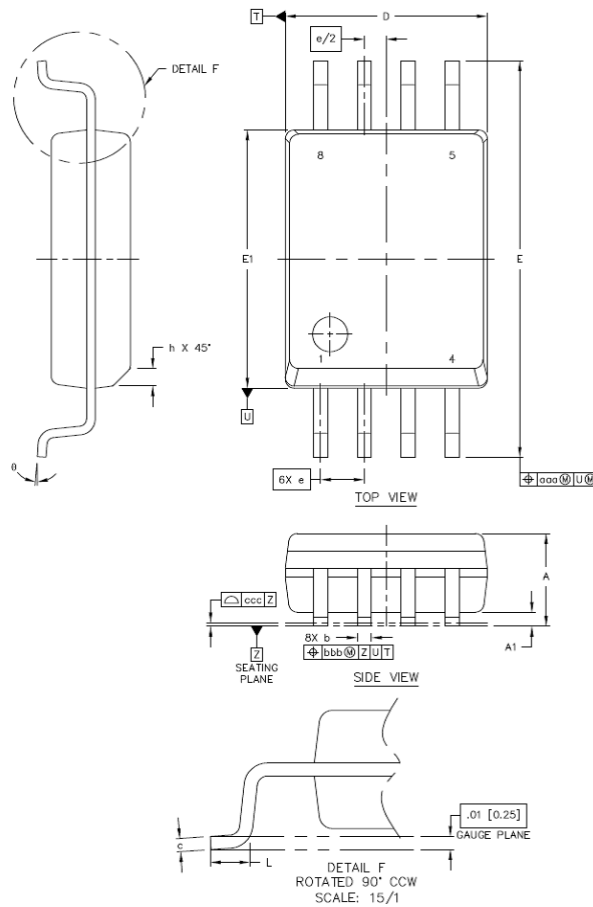


Figure 7.2. 8-Pin Wide Body Stretched SOIC Package

Table 7.2. 8-Pin Wide Body Stretched SOIC Package Diagram Dimensions

| Dimension | MIN | MAX |
|-----------|-----------|-----------|
| A | 2.49 | 2.79 |
| A1 | 0.36 | 0.46 |
| b | 0.30 | 0.51 |
| c | 0.20 | 0.33 |
| D | 5.74 | 5.94 |
| E | 11.25 | 11.76 |
| E1 | 7.39 | 7.59 |
| e | 1.27 BSC | |
| L | 0.51 | 1.02 |
| h | 0.25 | 0.76 |
| θ | 0° | 8° |
| aaa | -- | 0.25 |

| Dimension | MIN | MAX |
|-----------|-----|------|
| bbb | -- | 0.25 |
| ccc | -- | 0.10 |

Note:

1. All dimensions shown are in millimeters (mm) unless otherwise noted.
2. Dimensioning and Tolerancing per ANSI Y14.5M-1994.
3. Recommended reflow profile per JEDEC J-STD-020C specification for small body, lead-free components.

7.3 16-Pin Narrow Body SOIC (NB SOIC-16)

The figure below illustrates the package details for the Si823Hx in a 16-pin narrow-body SOIC. The table below lists the values for the dimensions shown in the illustration.

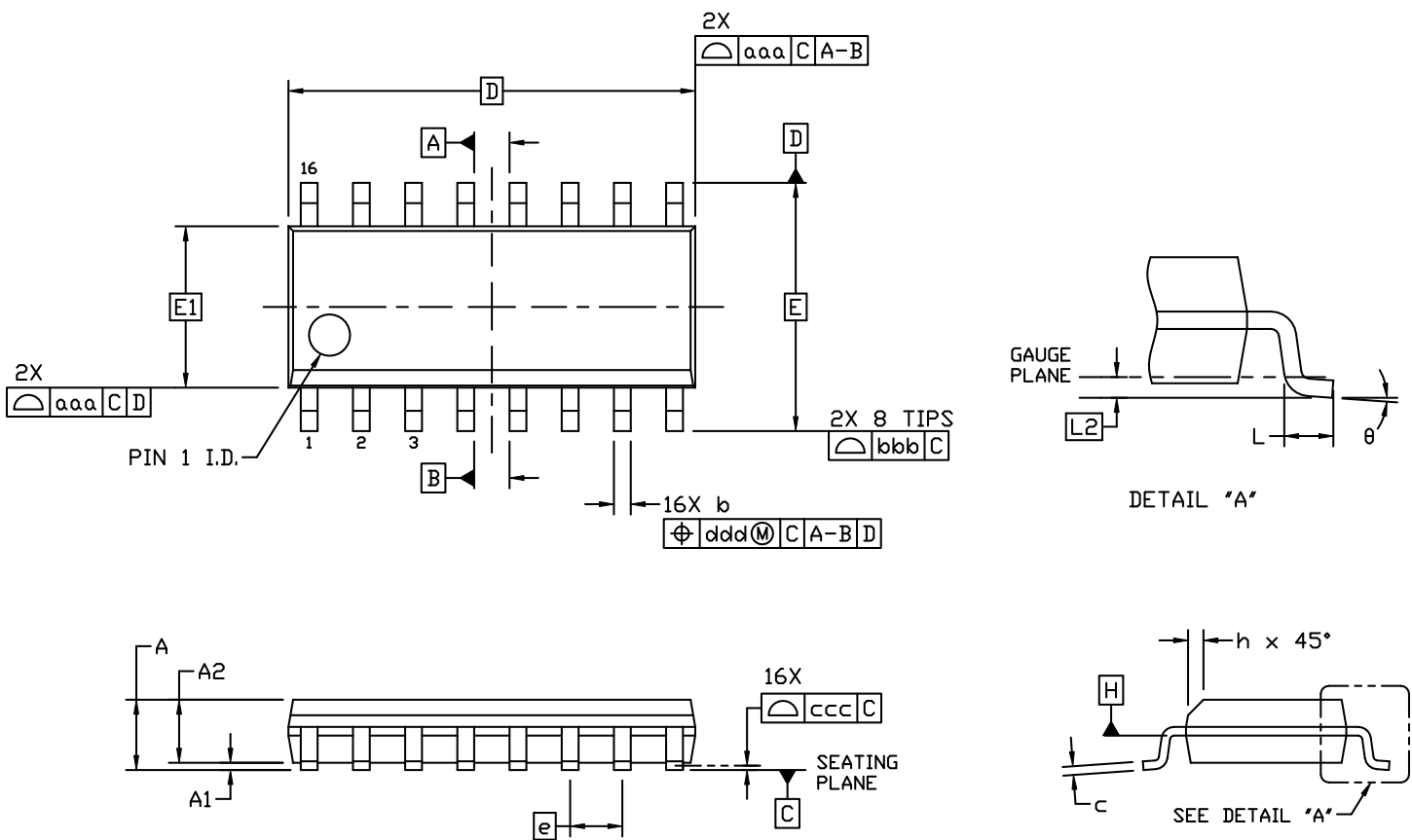


Figure 7.3. 16-Pin Narrow Body SOIC

Table 7.3. 16-Pin Narrow Body SOIC Package Diagram Dimensions

| Dimension | Min | Max |
|-----------|----------|------|
| A | — | 1.75 |
| A1 | 0.10 | 0.25 |
| A2 | 1.25 | — |
| b | 0.31 | 0.51 |
| c | 0.17 | 0.25 |
| D | 9.90 BSC | |
| E | 6.00 BSC | |
| E1 | 3.90 BSC | |
| e | 1.27 BSC | |
| L | 0.40 | 1.27 |
| L2 | 0.25 BSC | |
| h | 0.25 | 0.50 |
| θ | 0° | 8° |
| aaa | 0.10 | |
| bbb | 0.20 | |
| ccc | 0.10 | |
| ddd | 0.25 | |

1. All dimensions shown are in millimeters (mm) unless otherwise noted.
2. Dimensioning and Tolerancing per ANSI Y14.5M-1994.
3. This drawing conforms to the JEDEC Solid State Outline MS-012, Variation AC.
4. Recommended card reflow profile is per the JEDEC/IPC J-STD-020 specification for Small Body Components.

7.4 14-Pin Wide Body SOIC (WB SOIC-14)

The figure below illustrates the package details for the Si823Hx in a 14-pin wide-body SOIC. The table below lists the values for the dimensions shown in the illustration.

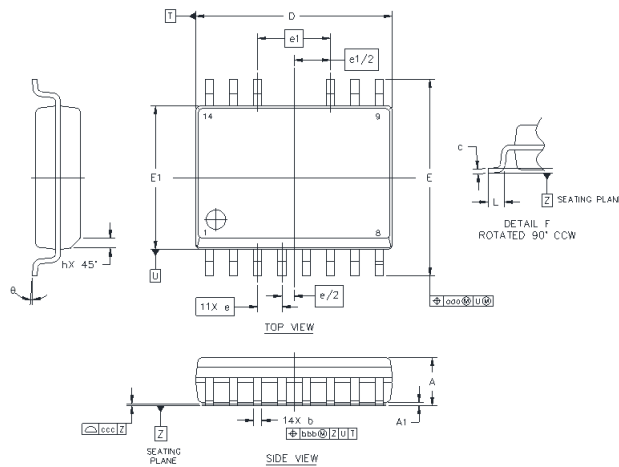


Figure 7.4. 14-pin Small Outline Integrated Circuit (SOIC) Package

Table 7.4. Package Diagram Dimensions

| Dimension | MIN | MAX |
|-----------|----------|-------|
| A | — | 2.65 |
| A1 | 0.10 | 0.30 |
| A2 | 2.05 | — |
| b | 0.35 | 0.49 |
| c | 0.23 | 0.32 |
| D | 10.15 | 10.45 |
| E | 10.05 | 10.55 |
| E1 | 7.40 | 7.60 |
| e | 1.27 BSC | |
| e1 | 3.81 BSC | |
| L | 0.40 | 1.27 |
| h | 0.25 | 0.75 |
| Θ | 0° | 8° |
| aaa | — | 0.25 |
| bbb | — | 0.25 |
| ccc | — | 0.10 |

Notes:

1. All dimensions shown are in millimeters (mm) unless otherwise noted.
2. Dimensioning and Tolerancing per ANSI Y14.5M-1994.
3. Recommended reflow profile per JEDEC J-STD-020C specification for small body, lead-free components.

7.5 14 LD DFN (DFN-14)

The figure below illustrates the package details for the Si823Hx in an DFN outline. The table below lists the values for the dimensions shown in the illustration.



Figure 7.5. Si823Hx 14-pin LD DFN Outline

Table 7.5. Package Diagram Dimensions

| Dimension | MIN | NOM | MAX |
|-----------|----------|------|------|
| A | 0.74 | 0.85 | 0.90 |
| A1 | 0 | -- | 0.05 |
| b | 0.25 | 0.30 | 0.35 |
| D | 4.90 | 5.00 | 5.10 |
| e | 0.65 BSC | | |
| E | 4.90 | 5.00 | 5.10 |
| E1 | 3.60 REF | | |
| L | 0.50 | 0.60 | 0.70 |
| L1 | 0.05 | 0.10 | 0.15 |
| ccc | -- | -- | 0.08 |
| ddd | -- | -- | 0.10 |

Note:

1. All dimensions shown are in millimeters (mm) unless otherwise noted.
2. Dimensioning and Tolerancing per ANSI Y14.5M-1994.

8. Land Patterns

8.1 8-Pin Narrow Body SOIC (NB SOIC-8)

The figure below illustrates the recommended land pattern details for the Si823Hx in an 8-pin narrow-body SOIC. The table below lists the values for the dimensions shown in the illustration.



Figure 8.1. 8-Pin Narrow Body SOIC Land Pattern

Table 8.1. 8-Pin Narrow Body SOIC Land Pattern Dimensions

| Dimension | Feature | (mm) |
|-----------|--------------------|------|
| C1 | Pad Column Spacing | 5.40 |
| E | Pad Row Pitch | 1.27 |
| X1 | Pad Width | 0.60 |
| Y1 | Pad Length | 1.55 |

Notes:

1. This Land Pattern Design is based on IPC-7351 pattern SOIC127P600X173-8N for Density Level B (Median Land Protrusion).
2. All feature sizes shown are at Maximum Material Condition (MMC) and a card fabrication tolerance of 0.05 mm is assumed.

8.2 8-Pin Wide Body Stretched SOIC (SSO-8)

The figure below illustrates the recommended land pattern details for the Si823Hx in a 8-Pin Wide Body Stretched SOIC package. The table lists the values for the dimensions shown in the illustration.

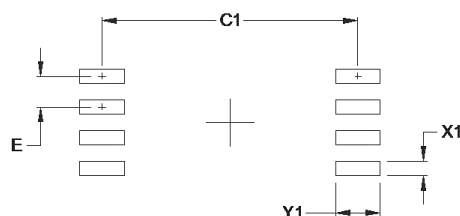


Figure 8.2. 8-Pin Wide Body Stretched SOIC Land Pattern

Table 8.2. 8-Pin Wide Body Stretched SOIC Land Pattern Dimensions

| Symbol | mm |
|--------|-------|
| C1 | 10.60 |
| E | 1.27 |
| X1 | 0.60 |
| Y1 | 1.85 |

Note:

General

1. All dimensions shown are at Maximum Material Condition (MMC). Least Material Condition (LMC) is calculated based on a Fabrication Allowance of 0.05 mm.
2. This Land Pattern Design is based on the IPC-7351 guidelines.

Solder Mask Design

1. All metal pads are to be non-solder mask defined (NSMD). Clearance between the solder mask and the metal pad is to be 60µm minimum, all the way around the pad.

Stencil Design

1. A stainless steel, laser-cut and electro-polished stencil with trapezoidal walls should be used to assure good solder paste release.
2. The stencil thickness should be 0.125 mm (5 mils).
3. The ratio of stencil aperture to land pad size should be 1:1 for all perimeter pins.

Card Assembly

1. A No-Clean, Type-3 solder paste is recommended.
2. The recommended card reflow profile is per the JEDEC/IPC J-STD-020 specification for Small Body Components.

8.3 16-Pin Narrow Body SOIC (NB SOIC-16)

The figure below illustrates the recommended land pattern details for the Si823Hx in a 16-pin Narrow Body SOIC. The table lists the values for the dimensions shown in the illustration.



Figure 8.3. 16-Pin Narrow Body SOIC PCB Land Pattern

Table 8.3. 16-Pin Narrow Body SOIC Land Pattern Dimensions

| Dimension | Feature | (mm) |
|-----------|--------------------|------|
| C1 | Pad Column Spacing | 5.40 |
| E | Pad Row Pitch | 1.27 |
| X1 | Pad Width | 0.60 |
| Y1 | Pad Length | 1.55 |

Note:

1. This Land Pattern Design is based on IPC-7351 pattern SOIC127P600X165-16N for Density Level B (Median Land Protrusion).
2. All feature sizes shown are at Maximum Material Condition (MMC) and a card fabrication tolerance of 0.05 mm is assumed.

8.4 14-Pin Wide Body SOIC (WB SOIC-14)

The figure below illustrates the recommended land pattern details for the Si823Hx in a 14-pin Wide Body SOIC. The table lists the values for the dimensions shown in the illustration.

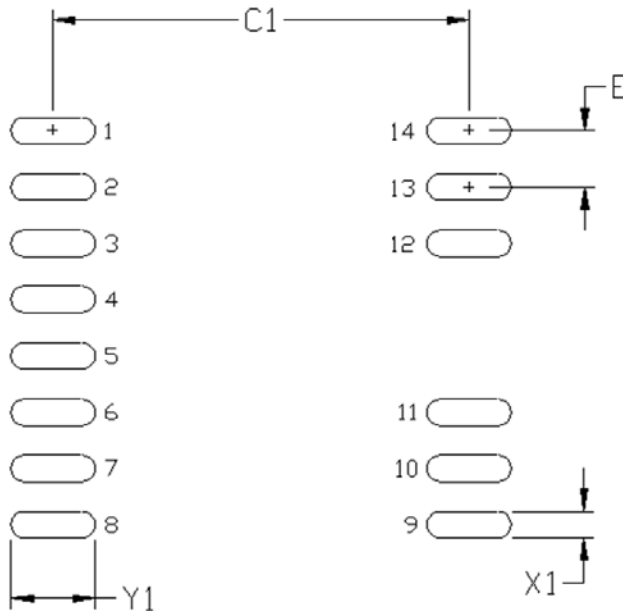


Figure 8.4. 14-Pin WB SOIC Land Pattern

Table 8.4. 14-Pin WB SOIC Land Pattern Dimensions

| Dimension | Feature | (mm) |
|-----------|--------------------|------|
| C1 | Pad Column Spacing | 9.70 |
| E | Pad Row Pitch | 1.27 |
| X1 | Pad Width | 0.60 |
| Y1 | Pad Length | 1.60 |

Notes:

1. This Land Pattern Design is based on IPC-7351 pattern SOIC127P1032X265-16AN for Density Level B (Median Land Protrusion).
2. All feature sizes shown are at Maximum Material Condition (MMC) and a card fabrication tolerance of 0.05 mm is assumed.

8.5 14 LD DFN

The figure below illustrates the recommended land pattern details for the Si823Hx in a 14-pin LD DFN. The table below lists the values for the dimensions shown in the illustration.

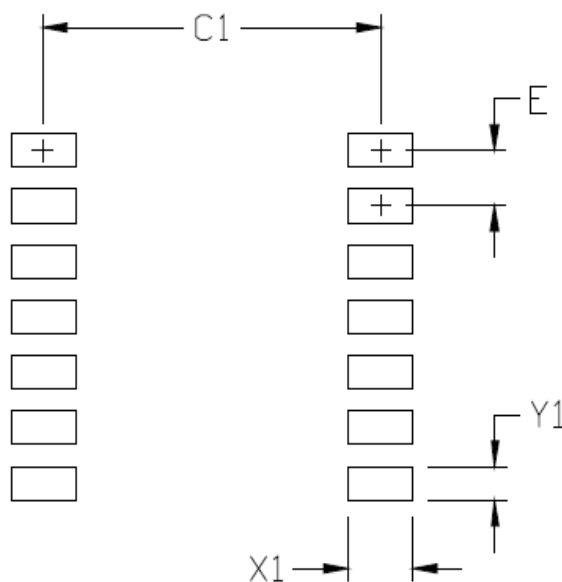


Figure 8.5. 14-Pin LGA/DFN Land Pattern

Table 8.5. 14-Pin LD DFN Land Pattern Dimensions

| Dimension | (mm) |
|-----------|------|
| C1 | 4.20 |
| E | 0.65 |
| X1 | 0.80 |
| Y1 | 0.40 |

Notes:

General

1. All dimensions shown are in millimeters (mm).
2. This Land Pattern Design is based on the IPC-7351 guidelines.
3. All dimensions shown are at Maximum Material Condition (MMC). Least Material Condition (LMC) is calculated based on a Fabrication Allowance of 0.05 mm.

Solder Mask Design

1. All metal pads are to be non-solder mask defined (NSMD). Clearance between the solder mask and the metal pad is to be 60 μm minimum, all the way around the pad.

Stencil Design

1. A stainless steel, laser-cut and electro-polished stencil with trapezoidal walls should be used to assure good solder paste release.
2. The stencil thickness should be 0.125 mm (5 mils).
3. The ratio of stencil aperture to land pad size should be 1:1.

Card Assembly

1. A No-Clean, Type-3 solder paste is recommended.
2. The recommended card reflow profile is per the JEDEC/IPC J-STD-020 specification for Small Body Components.

9. Top Markings

9.1 8-Pin Narrow Body SOIC (NB SOIC-8)



Table 9.1. Top Marking Explanation (8-Pin Narrow Body SOIC)

| | | |
|--|--|--|
| Line 1 Marking: | Base Part Number Ordering Options See Chapter 1. Ordering Guide for more information. | Si823H = ISOdriver product series Y = Output configuration: • 9 = Single driver U = UVLO level: A, B, C, T • A = 6 V • B = 8 V • C = 12 V • T = 12 V ¹ |
| Line 2 Marking: | V = Base Part Ordering Option. See Chapter 1. Ordering Guide for more information. | V = Isolation rating • C = 3.75 kV |
| | YY = Year WW = Workweek | Assigned by Assembly House. Corresponds to the year and workweek of the mold date. |
| Line 3 Marking: | TTTTTT = Mfg Code | Manufacturing Code from Assembly Purchase Order form. |
| Note: 1. See Figure 6.1 Si823H9 NB and Si823H9T NB SOIC-8 and SSO-8 on page 30 for Si823H9TC pinout. | | |

9.2 8-Pin Wide Body Stretched SOIC (SSO-8)

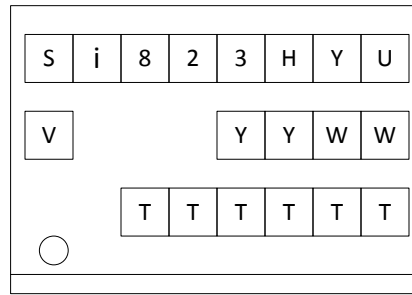


Table 9.2. Top Marking Explanation (8-Pin Wide Body Stretched SOIC)

| | | |
|--|--|--|
| Line 1 Marking: | Base Part Number Ordering Options See Chapter 1. Ordering Guide for more information. | Si823H = ISOdriver product series Y = Output configuration: • 9 = Single driver U = UVLO level: A, B, C, T • A = 6 V • B = 8 V • C = 12 V • T = 12 V ¹ |
| Line 2 Marking: | V = Base Part Ordering Option. See Chapter 1. Ordering Guide | V = Isolation rating • D = 5.0 kV |
| | YY = Year WW = Workweek | Assigned by Assembly House. Corresponds to the year and workweek of the mold date. |
| Line 3 Marking: | TTTTTT = Mfg Code | Manufacturing Code from Assembly Purchase Order form. |
| Note: 1. See Figure 6.1 Si823H9 NB and Si823H9T NB SOIC-8 and SSO-8 on page 30 for Si823H9TC pinout. | | |

9.3 16-Pin Narrow Body SOIC (NB SOIC-16)

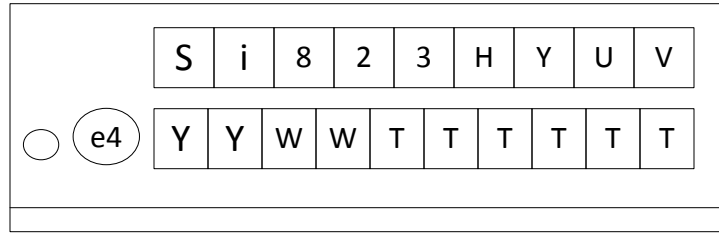


Table 9.3. Top Marking Explanation (16-Pin Narrow Body SOIC)

| | | |
|-------------------------------|---|--|
| <p>Line 1 Marking:</p> | <p>Base Part Number Ordering Options</p> <p>See 1. Ordering Guide for more information.</p> | <p>Si823H = ISOdriver product series</p> <p>Y = Output configuration: 1, 2,3, 4, 5, 6, 7, 8</p> <ul style="list-style-type: none"> • 1 = HS LS, VIA/VIB with a DIS pin • 2 = HS LS, VIA/VIB with an EN pin • 3 = HS LS, VIA/VIB with a DIS pin & de-glitch • 4 = PWM, HS/LS, EN pin • 5 = Dual driver, EN pin • 6 = Dual driver, DIS pin • 7 = Dual driver, delayed startup time, EN pin • 8 = PWM, HS/LS, DIS pin <p>U = UVLO level: A, B, C</p> <ul style="list-style-type: none"> • A = 6 V • B = 8 V • C = 12 V <p>V = Isolation rating:</p> <ul style="list-style-type: none"> • B = 2.5 kV |
| <p>Line 2 Marking:</p> | <p>YY = Year</p> <p>WW = Workweek</p> <p>TTTTTT = Mfg Code</p> <p>e4 circle is 1.3 mm diameter</p> | <p>Assigned by the Assembly House. Corresponds to the year and workweek of the mold date.</p> <p>Manufacturing Code from Assembly Purchase Order form.</p> <p>e4 is Pb-Free Symbol</p> |

9.4 14-Pin Wide Body SOIC (WB SOIC-14)

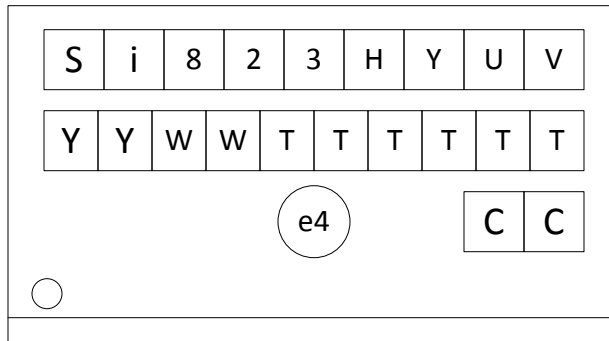


Table 9.4. Top Marking Explanation (14-Pin Wide Body SOIC)

| | | |
|------------------------|---|--|
| Line 1 Marking: | Base Part Number Ordering Options See 1. Ordering Guide for more information. | Si823H = ISOdriver product series Y = Output configuration: 1, 2,3, 4, 5, 6, 7, 8 <ul style="list-style-type: none"> • 1 = HS LS, VIA/VIB with a DIS pin • 2 = HS LS, VIA/VIB with an EN pin • 3 = HS LS, VIA/VIB with a DIS pin & de-glitch • 4 = PWM, HS/LS, EN pin • 5 = Dual driver, EN pin • 6 = Dual driver, DIS pin • 7 = Dual driver, delayed startup time, EN pin • 8 = PWM, HS/LS, DIS pin U = UVLO level: A, B, C (applies to both product series) <ul style="list-style-type: none"> • A = 6 V • B = 8 V • C = 12 V V = Isolation rating: <ul style="list-style-type: none"> • D = 5.0 kV |
| Line 2 Marking: | YY = Year WW = Workweek TTTTTT = Mfg Code | Assigned by the Assembly House. Corresponds to the year and workweek of the mold date. Manufacturing Code from Assembly Purchase Order form. |
| Line 3 Marking: | Circle = 1.5 mm Diameter (Center Justified) Country of Origin ISO Code Abbreviation e4 circle is 1.7 mm diameter | “e4” Pb-Free Symbol TW = Taiwan e4 is Pb-Free Symbol |

9.5 14 LD DFN

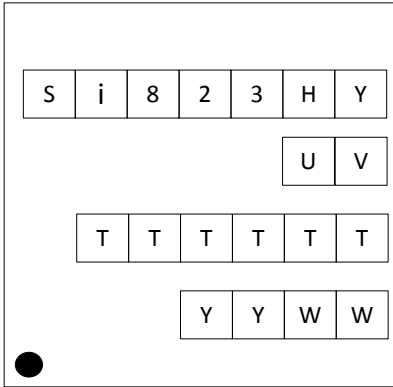


Table 9.5. Top Marking Explanation (14-Pin DFN)

| | | |
|------------------------|--|--|
| Line 1 Marking: | Base Part Number Ordering Options See 1. Ordering Guide for more information. | Si823H = ISOdriver product series Y = Output configuration: 0, 1, 2,3, 4, 5, 6, 7, 8 <ul style="list-style-type: none"> • 1 = HS LS, VIA/VIB with a DIS pin • 2 = HS LS, VIA/VIB with an EN pin • 3 = HS LS, VIA/VIB with a DIS pin & de-glitch • 4 = PWM, HS/LS, EN pin • 5 = Dual driver, EN pin • 6 = Dual driver, DIS pin • 7 = Dual driver, delayed startup time, EN pin • 8 = PWM, HS/LS, DIS pin |
| Line 2 Marking: | Ordering Options | U = UVLO level: A, B, C <ul style="list-style-type: none"> • A = 6 V • B = 8 V • C = 12 V V = Isolation rating <ul style="list-style-type: none"> • B = 2.5 kV |
| Line 3 Marking: | TTTTTT = Mfg Code | Manufacturing Code from Assembly Purchase Order form. |
| Line 4 Marking: | YY = Year WW = Workweek | Assigned by the Assembly House. Corresponds to the year and workweek of the mold date. |

10. Revision History

Revision 1.1

November, 2021

- Added Electrical Characteristics for Si823H9x products to [Table 4.1 Electrical Characteristics^{1, 2}](#) on page 18.
- Added OPNs for new Si823H9Tx to [Table 1.1 Si823Hx Ordering Guide](#) on page 2.
- To address new Si823H9Tx products: added Table 2.2, modified Section 2.7, added Section 3.2 and Figure 3.2, modified Table 4.6, added Figure 5.2, modified Figure 6.1, modified Table 6.1, updated Tables 9.1 and 9.2.
- Updated [Table 4.2 Regulatory Information^{1, 3, 4}](#) on page 21, [Table 4.3 Insulation and Safety-Related Specifications](#) on page 22, and [Table 4.4 IEC 60664-1 Ratings](#) on page 22 with latest regulatory information.
- Deleted irrelevant curve figures from [4.1 Typical Operating Characteristics](#).

Revision 1.0

February, 2021

- Updated Ordering Guide.
- Formatting, typo, and uniformity edits.
- Changed DT waveform for accuracy.
- Modified EN pin CDM spec.

Revision 0.62

September, 2020

- Updated Electrical Specifications Table.
- Updated Top Marking for NB SOIC-8, SSO-8.
- Updated Insulation and Safety Related Specifications.
- Updated Theta_{ja} for WB SOIC-14 package.
- Changed nomenclature for DFN-14 package (updated from QFN-14).
- Added Truth Table for Si823H9 single driver.

Revision 0.61

January, 2020

- Updated Ordering Guide.

Revision 0.6

December, 2019

- Updated Ordering Guide.
- Updated [7.4 14-Pin Wide Body SOIC \(WB SOIC-14\)](#).

Revision 0.5

June, 2019

- Updated Application Diagrams and Top-Level Block Diagrams.
- Added Ordering Guide for Automotive Grade OPNs.

Revision 0.34

January, 2019

- Added OPN Si823H8BB-IM1.

Revision 0.33

December, 2018

- Separated Si825xx OPNs from this datasheet.
- Labeled 2.5 kV_{RMS} and 3.75 kV_{RMS} products as "Available Now" and 5 kV_{RMS} as "Sampling Now".
- Added Section 2.13 Driver Output Booster Function Description.
- Added NB SOIC-16 package.

Revision 0.1

July, 2017

- Initial release.