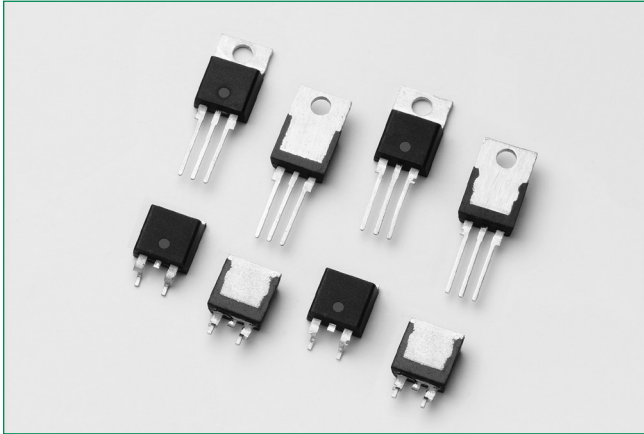


SJxx25xxA Series

25 Amps High Junction Temperature SCRs



Agency Recognitions

Agency	Agency File Number
	E71639

* - L Package Only

Main Features

Symbol	Value	Unit
$I_{T(RMS)}$	25	A
V_{DRM}/V_{RRM}	400 or 600	V
I_{GT}	6, 10 or 35	mA

Description

This SJxx25xxA high temperature SCR series is ideal for uni-directional switch applications such as phase control in heating, motor speed controls, converters/rectifiers and inrush current controllers.

These SCRs have a low gate current trigger level of 6mA, 10mA or 35mA maximum at approximately 1.5V.

Features & Benefits

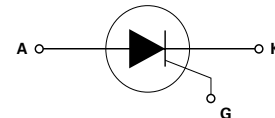
- Halogen-free and RoHS-compliant
- 150°C maximum junction temperature
- Surge capability up to 350 A at 60 Hz half cycle
- AEC-Q101 qualified
- Automotive Level manufacture control

Applications

Typical applications include AC Generator (ACG) rectifiers, battery voltage regulators, generic converters, inrush current controller in various AC to DC applications and soft starter for low power AC motor. Additional applications include controls for power tools, home/brown good and white goods appliances.

Internally constructed isolated packages are offered for ease of heat sinking with highest isolation voltage.

Schematic Symbol



Absolute Maximum Ratings

Symbol	Parameter	Test Conditions	Value	Unit
V_{DSM}/V_{RSM}	Peak non-repetitive blocking voltage	PW=100 μ s	$V_{DRM}/V_{RRM} + 100$	V
$I_{T(RMS)}$	RMS on-state current	SJxx25LxA $T_c = 100^\circ\text{C}$ SJxx25RxA $T_c = 125^\circ\text{C}$ SJxx25NxA	25	A
$I_{T(AV)}$	Average on-state current	SJxx25LxA $T_c = 100^\circ\text{C}$ SJxx25RxA $T_c = 125^\circ\text{C}$ SJxx25NxA	16	A
I_{TSM}	Peak non-repetitive surge current	single half cycle; f = 50Hz; T_j (initial) = 25°C	300	A
		single half cycle; f = 60Hz; T_j (initial) = 25°C	350	
I^2t	I^2t Value for fusing	$t_p = 8.3$ ms	510	A ² s
di/dt	Critical rate of rise of on-state current	f = 60Hz ; $T_j = 150^\circ\text{C}$	125	A/ μ s
I_{GM}	Peak gate current	$T_j = 150^\circ\text{C}$	3	A
$P_{G(AV)}$	Average gate power dissipation	$T_j = 150^\circ\text{C}$	0.6	W
T_{stg}	Storage temperature range	-	-40 to 150	°C
T_j	Operating junction temperature range	-	-40 to 150	°C

Note: xx=voltage/10, x=sensitivity

SJxx25xxA Series

25 Amps High Junction Temperature SCRs

Electrical Characteristics (T_J = 25°C, unless otherwise specified)

Symbol	Test Conditions		Value			Unit
			SJxx25xA	SJxx25x1A	SJxx25x2A	
I _{GT}	V _D = 12V R _L = 60 Ω	MAX.	35	6	10	mA
		MIN.	8	2	5	
V _{GT}	V _D = 12V R _L = 60 Ω	MAX.	1.5			V
dv/dt	V _D = 67% V _{DRM} ; gate open; T _J = 125°C	MIN.	800	70	500	V/μs
	V _D = 67% V _{DRM} ; gate open; T _J = 150°C		400	-	200	
V _{GD}	V _D = V _{DRM} R _L = 3.3 kΩ T _J = 125°C	MIN.	0.2			V
I _H	I _T = 400mA (initial)	MAX.	75	15	35	mA
t _q	I _T = 2A; t _p = 50μs; dv/dt = 5V/μs; di/dt = 30A/μs	MAX.	40			μs
t _{gt}	I _G = 2 x I _{GT} PW = 15μs I _T = 50A	TYP.	2			μs

Note: xx=voltage/10, x=package

Static Characteristics

Symbol	Test Conditions		Value	Unit
V _{TM}	Component I _T = 50A; t _p = 380 μs	MAX.	1.6	V
I _{DRM} / I _{RRM}	V _{DRM} = V _{RRM}	T _J = 25°C	10	μA
		T _J = 125°C	1000	
		T _J = 150°C	3000	

Thermal Resistances

Symbol	Parameter		Value	Unit
R _{θ(JC)}	Junction to case (AC)	SJxx25RxA	1.0	°C/W
		SJxx25NxA		
		SJxx25LxA	2.3	

Note: xx=voltage/10, x=sensitivity

Figure 1: Normalized DC Gate Trigger Current vs. Junction Temperature

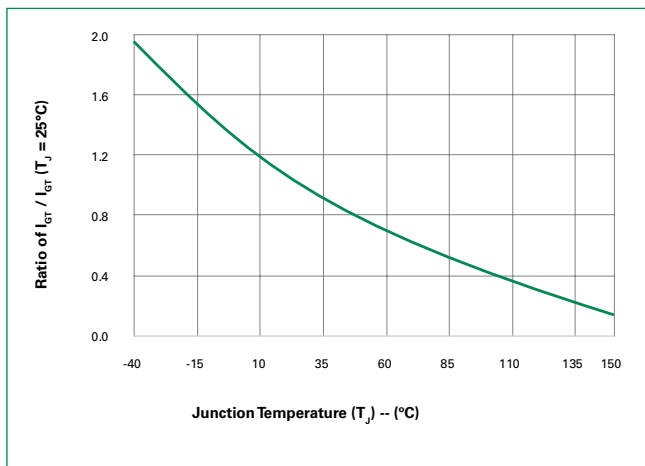
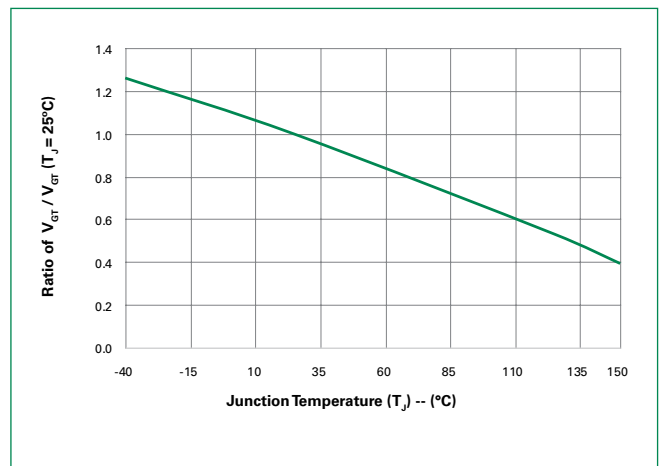


Figure 2: Normalized DC Gate Trigger Voltage vs. Junction Temperature



SJxx25xxA Series

25 Amps High Junction Temperature SCRs

Figure 3: Normalized DC Holding Current vs. Junction Temperature

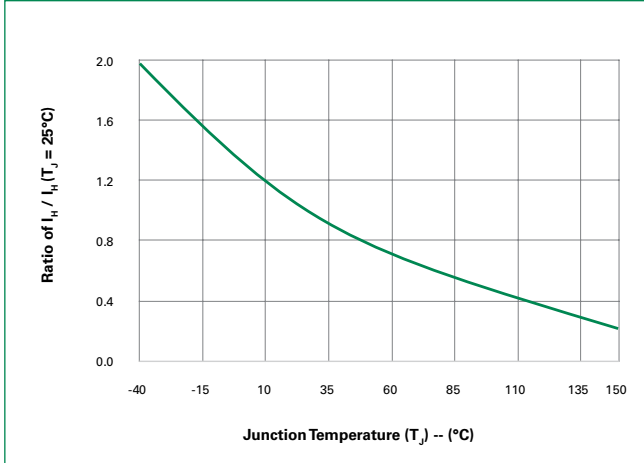


Figure 4: On-State Current vs. On-State Voltage (Typical)

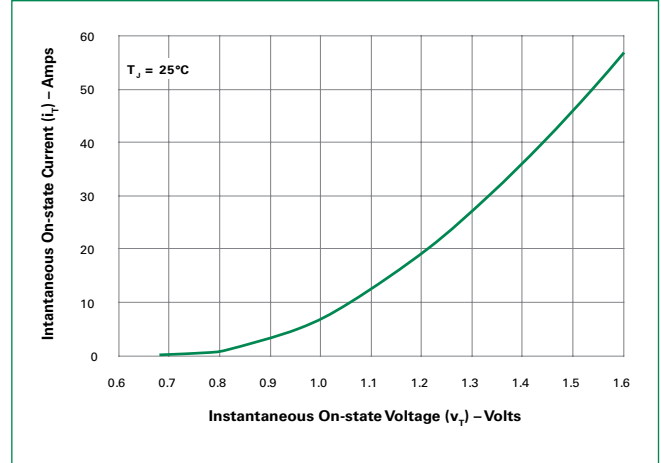


Figure 5: Power Dissipation (Typical) vs. RMS On-State Current

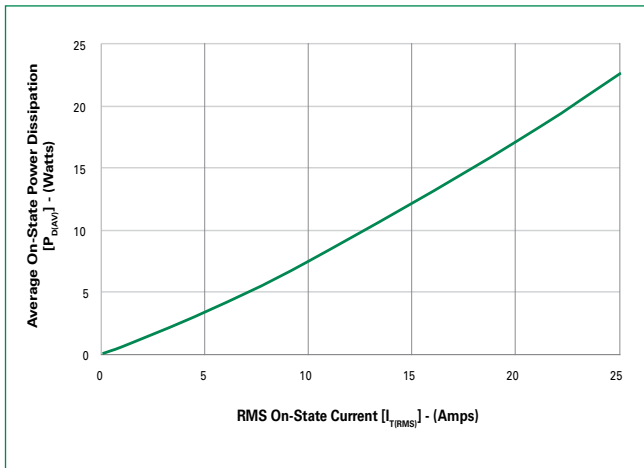


Figure 6: Maximum Allowable Case Temperature vs. RMS On-State Current

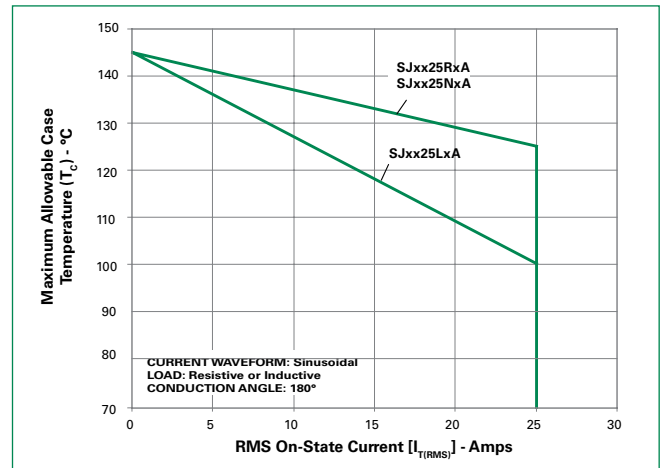


Figure 7: Maximum Allowable Case Temperature vs. Average On-State Current

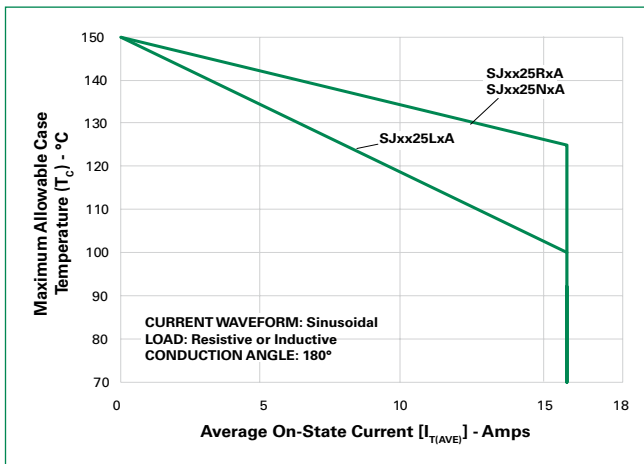
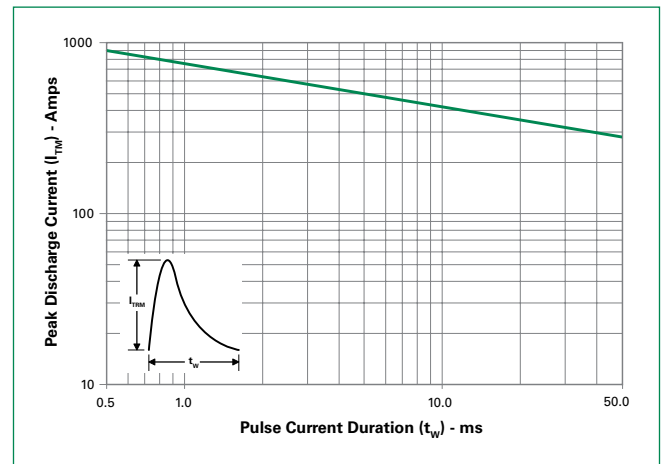


Figure 8: Peak Capacitor Discharge Current



SJxx25xxA Series

25 Amps High Junction Temperature SCRs

Figure 9: Peak Capacitor Discharge Current Derating

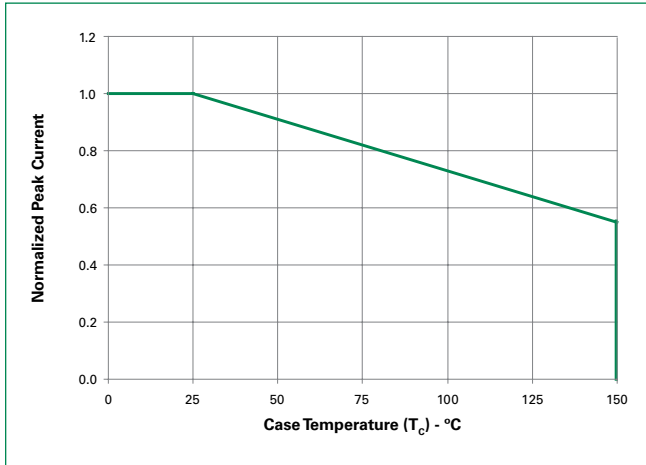
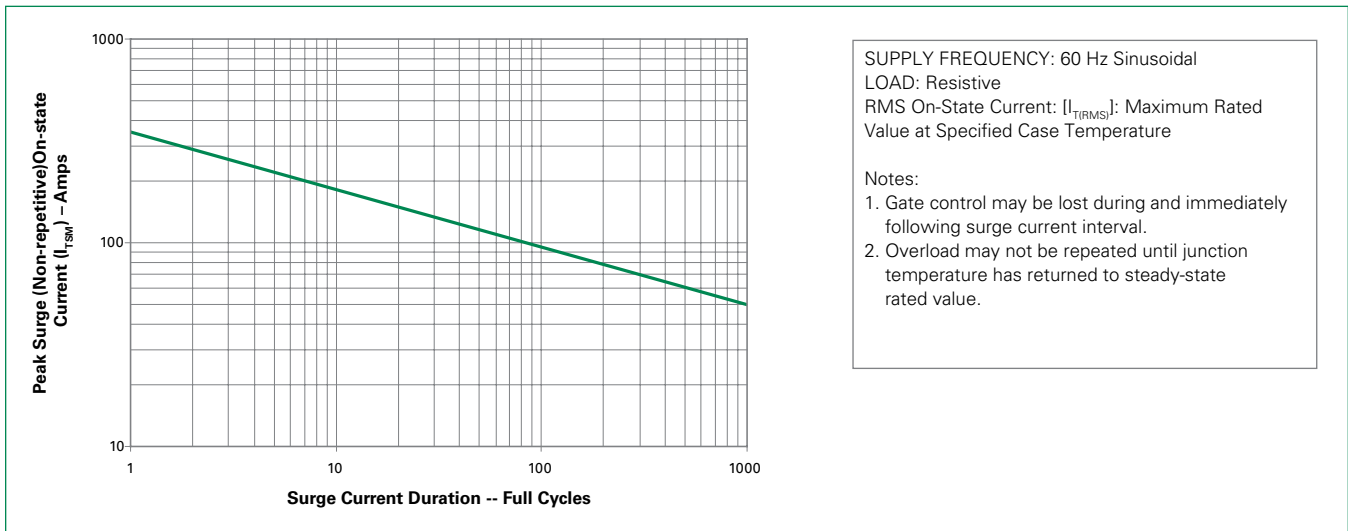


Figure 10: Surge Peak On-State Current vs. Number of Cycles

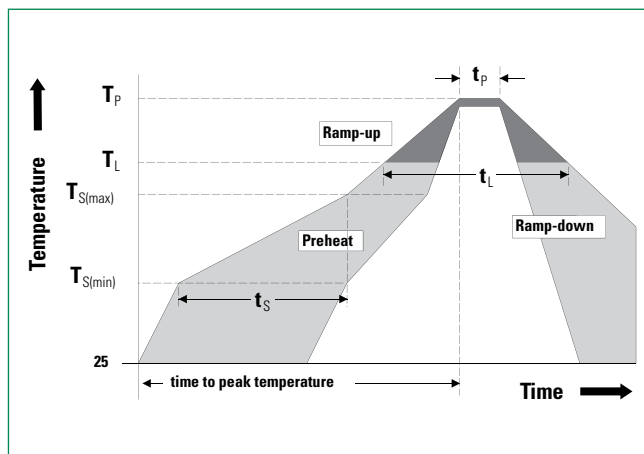


SJxx25xxA Series

25 Amps High Junction Temperature SCRs

Soldering Parameters

Reflow Condition		Pb – Free assembly
Pre Heat	- Temperature Min ($T_{s(min)}$)	150°C
	- Temperature Max ($T_{s(max)}$)	200°C
	- Time (min to max) (t_s)	60 – 180 secs
Average ramp up rate (Liquidus Temp) (T_L) to peak		5°C/second max
$T_{s(max)}$ to T_L - Ramp-up Rate		5°C/second max
Reflow	- Temperature (T_L) (Liquidus)	217°C
	- Time (t_L)	60 – 150 seconds
Peak Temperature (T_p)		260 ^{+0/-5} °C
Time within 5°C of actual peak Temperature (t_p)		20 – 40 seconds
Ramp-down Rate		5°C/second max
Time 25°C to peak Temperature (T_p)		8 minutes Max.
Do not exceed		280°C



Physical Specifications

Terminal Finish	100% Matte Tin-plated
Body Material	UL Recognized compound meeting flammability rating V-0
Lead Material	Copper Alloy

Design Considerations

Careful selection of the correct component for the application's operating parameters and environment will go a long way toward extending the operating life of the Thyristor. Good design practice should limit the maximum continuous current through the main terminals to 75% of the component rating. Other ways to ensure long life for a power discrete semiconductor are proper heat sinking and selection of voltage ratings for worst case conditions. Overheating, overvoltage (including dv/dt), and surge currents are the main killers of semiconductors. Correct mounting, soldering, and forming of the leads also help protect against component damage.

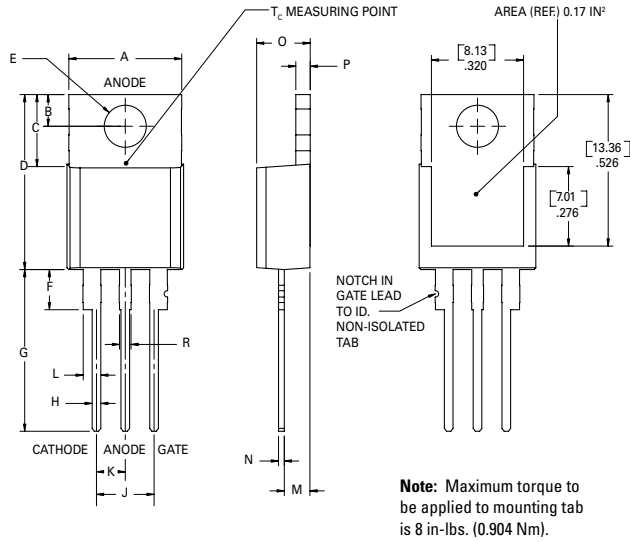
Environmental Specifications

Test	Specifications and Conditions
AC Blocking	MIL-STD-750, M-1040, Cond A Applied Peak AC voltage @ 150°C for 1008 hours
Temperature Cycling	MIL-STD-750, M-1051, 100 cycles; -55°C to +150°C; 15-min dwell-time
Temperature/Humidity	EIA / JEDEC, JESD22-A101 1008 hours; 160V - DC: 85°C; 85% rel humidity
High Temp Storage	MIL-STD-750, M-1031, 1008 hours; 150°C
Low-Temp Storage	1008 hours; -40°C
Resistance to Solder Heat	MIL-STD-750 Method 2031
Solderability	ANSI/J-STD-002, category 3, Test A
Lead Bend	MIL-STD-750, M-2036 Cond E
Moisture Sensitivity Level	Level 1, JEDEC-J-STD-020D

SJxx25xxA Series

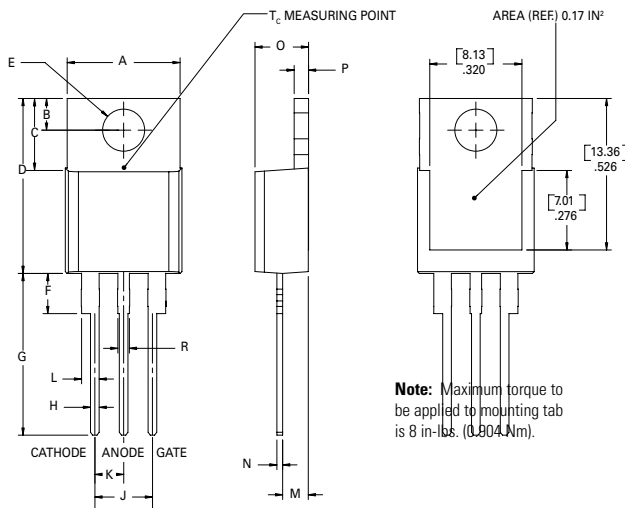
25 Amps High Junction Temperature SCRs

Dimensions - TO-220AB (R-Package) - Non-Isolated Mounting Tab Common with Center Lead



Dimension	Inches		Millimeters	
	Min	Max	Min	Max
A	0.380	0.420	9.65	10.67
B	0.105	0.115	2.67	2.92
C	0.230	0.250	5.84	6.35
D	0.590	0.620	14.99	15.75
E	0.142	0.147	3.61	3.73
F	0.110	0.130	2.79	3.30
G	0.540	0.575	13.72	14.61
H	0.025	0.035	0.64	0.89
J	0.195	0.205	4.95	5.21
K	0.095	0.105	2.41	2.67
L	0.060	0.075	1.52	1.91
M	0.085	0.095	2.16	2.41
N	0.018	0.024	0.46	0.61
O	0.178	0.188	4.52	4.78
P	0.045	0.060	1.14	1.52
R	0.038	0.048	0.97	1.22

Dimensions - TO-220AB (L-Package) - Isolated Mounting Tab

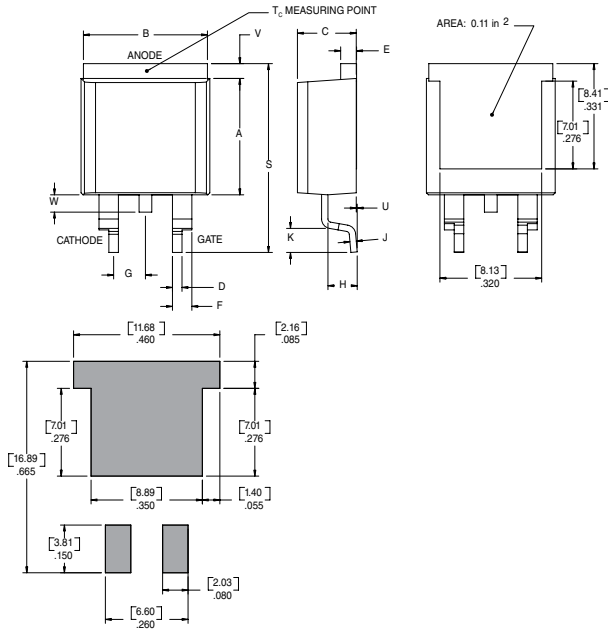


Dimension	Inches		Millimeters	
	Min	Max	Min	Max
A	0.380	0.420	9.65	10.67
B	0.105	0.115	2.67	2.92
C	0.230	0.250	5.84	6.35
D	0.590	0.620	14.99	15.75
E	0.142	0.147	3.61	3.73
F	0.110	0.130	2.79	3.30
G	0.540	0.575	13.72	14.61
H	0.025	0.035	0.64	0.89
J	0.195	0.205	4.95	5.21
K	0.095	0.105	2.41	2.67
L	0.060	0.075	1.52	1.91
M	0.085	0.095	2.16	2.41
N	0.018	0.024	0.46	0.61
O	0.178	0.188	4.52	4.78
P	0.045	0.060	1.14	1.52
R	0.038	0.048	0.97	1.22

SJxx25xxA Series

25 Amps High Junction Temperature SCRs

Dimensions - TO - 263AB (N-package) - D2-Pak Surface Mount



Dimension	Inches		Millimeters	
	Min	Max	Min	Max
A	0.360	0.370	9.14	9.40
B	0.380	0.420	9.65	10.67
C	0.178	0.188	4.52	4.78
D	0.025	0.035	0.64	0.89
E	0.045	0.060	1.14	1.52
F	0.060	0.075	1.52	1.91
G	0.095	0.105	2.41	2.67
H	0.092	0.102	2.34	2.59
J	0.018	0.024	0.46	0.61
K	0.090	0.110	2.29	2.79
S	0.590	0.625	14.99	15.88
V	0.035	0.045	0.89	1.14
U	0.002	0.010	0.05	0.25

Product Selector

Part Number	Voltage		Gate Sensitivity	Type	Package
	400V	600V			
SJxx25LA	X	X	35mA	Standard SCR	TO-220L
SJxx25RA	X	X	35mA	Standard SCR	TO-220R
SJxx25NA	X	X	35mA	Standard SCR	TO-263
SJxx25L1A	X	X	6mA	Standard SCR	TO-220L
SJxx25R1A	X	X	6mA	Standard SCR	TO-220R
SJxx25N1A	X	X	6mA	Standard SCR	TO-263
SJxx25L2A	X	X	10mA	Standard SCR	TO-220L
SJxx25R2A	X	X	10mA	Standard SCR	TO-220R
SJxx25N2A	X	X	10mA	Standard SCR	TO-263

Note: xx = Voltage/10

Packing Options

Part Number	Marking	Weight	Packing Mode	Base Quantity
SJxx25LxATP	SJxx25LxA	2.2g	Tube	1000 (50 per tube)
SJxx25RxATP	SJxx25RxA	2.2g	Tube	1000 (50 per tube)
SJxx25NxATP	SJxx25NxA	1.6g	Tube	1000 (50 per tube)
SJxx25NxARP	SJxx25NxA	1.6g	Embossed Carrier	500

Note: xx=voltage/10, x=sensitivity