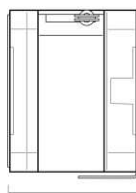


6.4" [164 mm]



4.3" [109 mm]

SK6

Cable Actuated Encoder Reel

The SK6 is easily customizable to any rotary encoder into a 400-inch (10m), the linear position sensor is a perfect solution for applications ranging from mobile construction equipment to hydraulic lift tables and anything else in between.

This model offers ease-of-use, compact design and user flexibility. Designed for popular 2½ inch square flange and 58mm diameter synchro-mount flange encoder styles, the SK6 comes with everything you need to attach your own encoder. Also included is a stainless steel mounting bracket which lets the user easily change measuring cable orientation to one of the 4 different directions.

FEATURES

- Flexibility - Every unit offers linear position up to 400" (10m) providing flexibility to work across a wide range of aerial applications. These series offer a wide selection of industry standard output signals (4-20mA, 0-10Vdc, CANOpen and J1939 CANbus).
- Ease of use - A compact design, a stainless-steel mounting bracket for multiple installation options and an easily-adjustable measuring cable orientation make this sensor easy to install and manage.
- Superior engineering - TE provides engineering partnership to customize for specific applications. There is also an option to have two sensors elements in the same package with no additional space requirement. This provides fail-safe security for aerial applications.

APPLICATIONS

Accurate measurement in customized applications industrial and commercial transportation like:

- Fork lifts
- Telescopic arms
- Boom lifts
- Scissor lifts

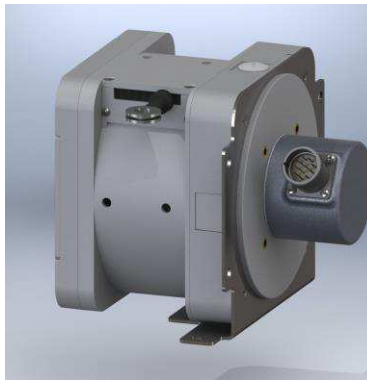
Converts Rotary Encoder to Linear Position Sensor Use with Popular Square Flange & Servo Mount Style
User Adjustable Measuring Cable Orientation

Specifications

Stroke Range	400 inches (10.2 m)
Rotary to Linear Conversion Ratio	1 turn = 15.020 inches
Accuracy	0.04% FS.
Measuring Cable	0.031-inch dia. bare stainless steel
Maximum Cable Velocity	60 inches per second
Maximum Cable Acceleration	5 g
Measuring Cable Tension	23 oz. (6,4 N) \pm 40%
Operating Temperature	-40° to 185° F (-40° to 85° C)

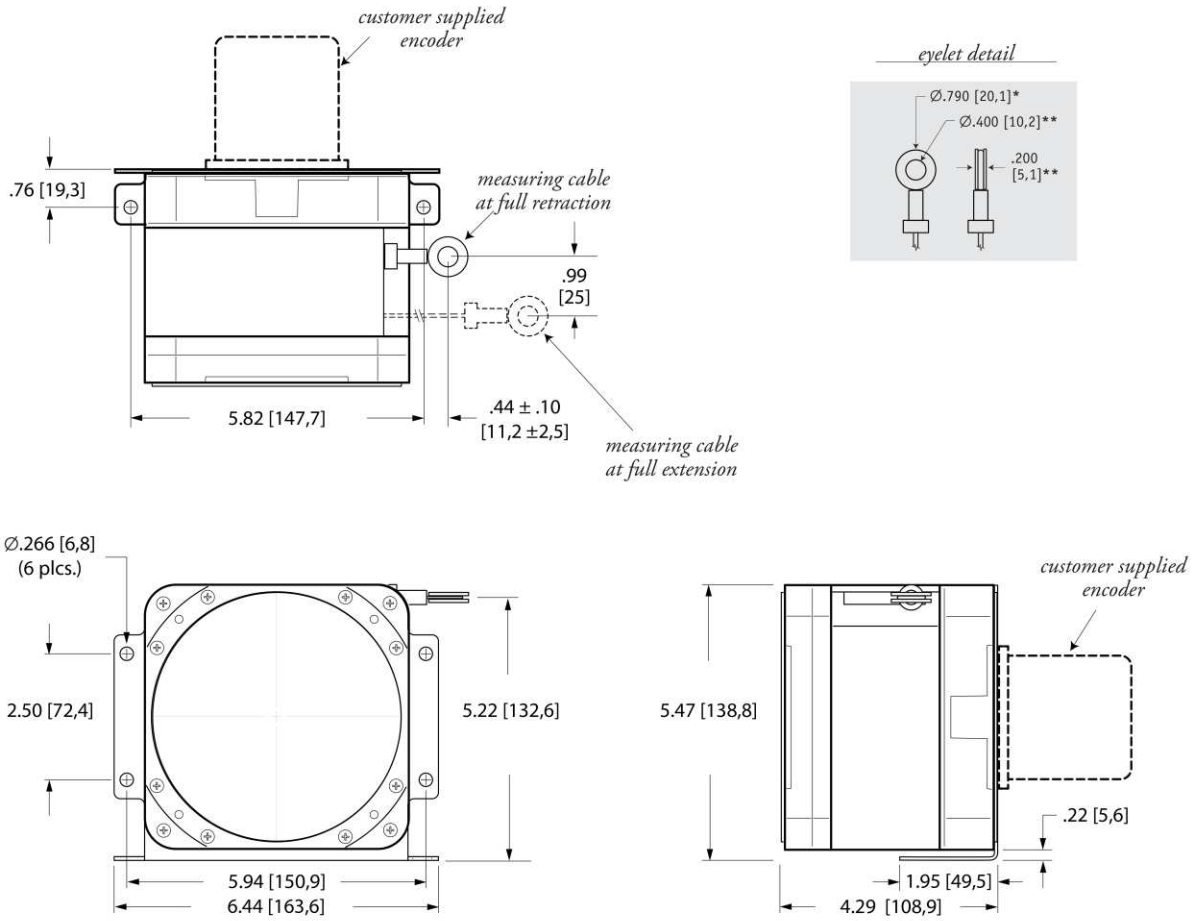


**2.5-inch
Square Flange
Style**



**Ø58 mm
Synchro-Mount
Style**

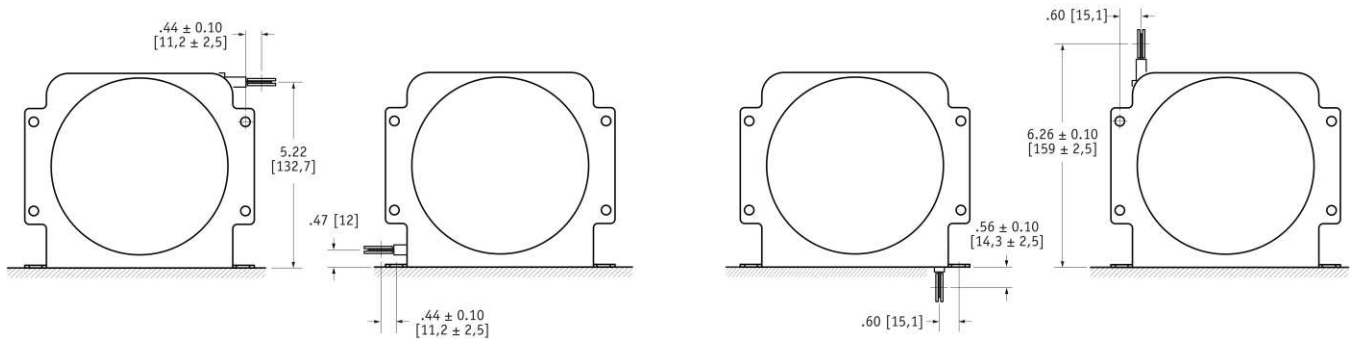
Outline Drawing



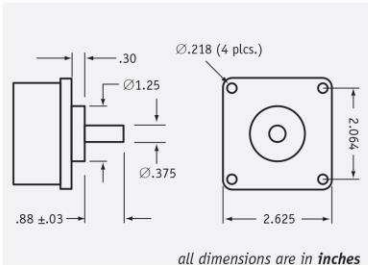
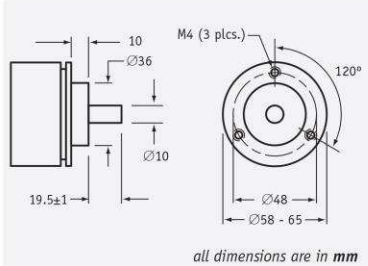
DIMENSIONS ARE IN INCHES [MM]
tolerances are 0.04 IN. [1,0 MM] unless otherwise noted.

* tolerance = $+0.005 -0.001 [+0,1 -0,0]$
** tolerance = $+0.005 -0.005 [+0,1 -0,1]$

Mounting Options



Ordering Information

Order Number	Encoder Mounting Style	stroke range	
SK6-400-F01	 <p><i>all dimensions are in inches</i></p>	<p>F01 2½-inch Sq. Flange with 3/8-inch shaft</p>	<p>400 inches (10,2 m)</p>
SK6-400-S02	 <p><i>all dimensions are in mm</i></p>	<p>S02 Synchro-Mount (Face Mount) with 10mm shaft / M4 screws</p>	<p>400 inches (10,2 m)</p>

2.5-inch Square Flange Encoder Installation

