

**DATA SHEET**

# SKY13416-485LF: 0.1 to 6.0 GHz SP6T Antenna Switch

## Applications

- Any 2G/3G/4G antenna diversity or LTE (TDD/FDD) transmit/receive system for which GSM transmit is not required

## Features

- Broadband frequency range: 0.1 to 6.0 GHz
- Low insertion loss: 0.6 dB typical @ 5.0 GHz
- High isolation: >26 dB @ 2.7 GHz
- Integrated logic
- Small QFN (14-pin, 2.0 x 2.0 mm) package (MSL1, 260 °C per JEDEC J-STD-020)



Skyworks Green™ products are compliant with all applicable legislation and are halogen-free. For additional information, refer to *Skyworks Definition of Green™*, document number SQ04-0074.

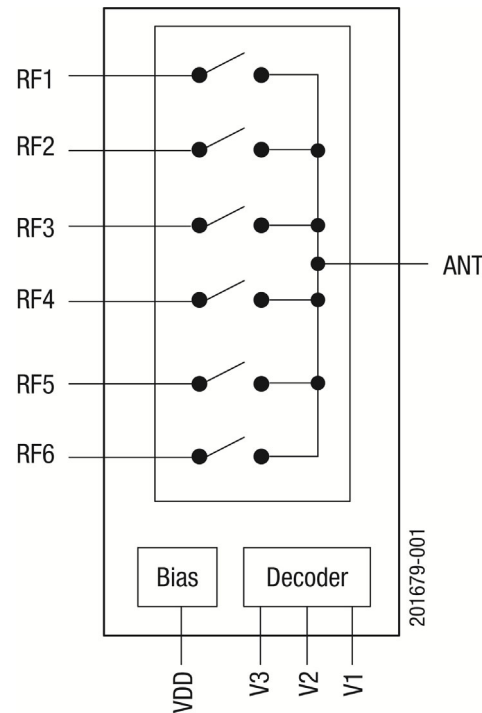
## Description

The SKY13416-485LF is a single pole, six-throw (SP6T) antenna switch. The high-linearity performance and low insertion loss achieved by the SKY13416-485LF make it an ideal choice for main/diversity switching commonly used in LTE-based handsets, data cards, and tablets that use antenna diversity solutions.

The SKY13416-485LF is part of a scalable family of products that covers SP4T through SP8T switches that allow up to eight bands of WCDMA/LTE:

- SKY13414-485LF SP4T Antenna Switch (Data Sheet #201689)
- SKY13415-485LF SP5T Antenna Switch (Data Sheet #201704)
- SKY13416-485LF SP6T Antenna Switch (this Data Sheet)
- SKY13417-485LF SP7T Antenna Switch (Data Sheet #201661)
- SKY13418-485LF SP8T Antenna Switch (Data Sheet #201712)

The symmetric port designs provide flexibility in signal routing for both receive diversity and higher power TD-SCDMA/TDD-LTE, WCDMA/FDD, and LTE transmit/receive applications.



**Figure 1. SKY13416-485LF Block Diagram**

Switching is controlled by three CMOS/TTL-compatible control voltage inputs (V1, V2, and V3). Depending on the logic voltage level applied to the control pins, the ANT pin is connected to one of six switched RF outputs (RF1 to RF6) using a low insertion loss path, while the paths between the ANT pin and the other RF pins are in a high isolation state. No external blocking capacitors are required on the RF paths unless VDC is externally applied.

The SKY13416-485LF is manufactured in a compact, 14-pin 2.0 x 2.0 mm, Quad Flat No-Lead (QFN) package.

A functional block diagram is shown in Figure 1. The pin configuration and package are shown in Figure 2. Signal pin assignments and functional pin descriptions are provided in Table 1.

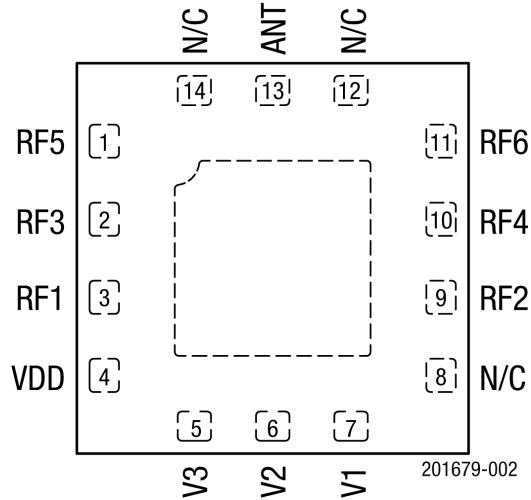


Figure 2. SKY13416-485LF Pinout (Top View)

Table 1. SKY13416-485LF Signal Descriptions<sup>1</sup>

| Pin | Name | Description          | Pin | Name | Description   |
|-----|------|----------------------|-----|------|---------------|
| 1   | RF5  | RF I/O path 5        | 8   | N/C  | Not connected |
| 2   | RF3  | RF I/O path 3        | 9   | RF2  | RF I/O path 2 |
| 3   | RF1  | RF I/O path 1        | 10  | RF4  | RF I/O path 4 |
| 4   | VDD  | DC power supply      | 11  | RF6  | RF I/O path 6 |
| 5   | V3   | DC control voltage 3 | 12  | N/C  | Not connected |
| 6   | V2   | DC control voltage 2 | 13  | ANT  | Antenna port  |
| 7   | V1   | DC control voltage 1 | 14  | N/C  | Not connected |

<sup>1</sup> Bottom ground paddles must be connected to ground.

## Functional Description

The SKY13416-485LF includes an internal negative voltage generator and decoder that eliminate the need for external DC blocking capacitors on the RF ports. No external components are required for proper operation. DC decoupling capacitors may be added on the VDD and control lines if necessary.

Switching is controlled by three control voltage inputs, V1, V2, and V3. Depending on the logic voltage level applied to the control pins, the antenna pin is connected to one of six switched RF outputs.

A seventh state enables RF3 and RF5 at the same time. The output power measured at RF3 and RF5 in this state is 3 dB less than the typical insertion loss.

Shutdown mode is enabled by connecting all three control pins (V1, V2, and V3) to logic high. This mode reduces the overall current consumption of the device to 5  $\mu$ A typical.

## Electrical and Mechanical Specifications

The absolute maximum ratings of the SKY13416-485LF are provided in Table 2. Electrical specifications are provided in Table 3.

The state of the SKY13416-485LF is determined by the logic shown in Table 4.

The isolation matrix shown in Table 5 provides the port-to-port and antenna-to-port isolation for all available RF states at four different frequencies: 1.0 GHz, 2.0 GHz, 2.7 GHz, and 3.8 GHz. Table 6 shows the Insertion Loss (IL) and Return Loss (RL).

**Table 2. SKY13416-485LF Absolute Maximum Ratings<sup>1</sup>**

| Parameter  | Symbol           | Minimum | Maximum        | Units      |
|--|------------------|---------|----------------|------------|
| Supply voltage   | V <sub>DD</sub>  | 2.5     | 5.0            | V          |
| Control voltage (V1, V2, and V3)                                 | V <sub>CTL</sub> | -0.5    | +3.0           | V          |
| RF input power (RF1 to RF6):<br>0.1 to 2.7 GHz<br>3.4 to 5.0 GHz | P <sub>IN</sub>  |         | +37.5<br>+36.5 | dBm<br>dBm |
| Operating temperature  | T <sub>OP</sub>  | -40     | +85            | °C         |
| Storage temperature  | T <sub>STG</sub> | -55     | +150           | °C         |
| Electrostatic discharge:<br>Human Body Model (HBM), Class 1B     | ESD              |         | 500            | V          |

<sup>1</sup> Exposure to maximum rating conditions for extended periods may reduce device reliability. There is no damage to device with only one parameter set at the limit and all other parameters set at or below their nominal value. Exceeding any of the limits listed here may result in permanent damage to the device.

**ESD HANDLING:** *Although this device is designed to be as robust as possible, electrostatic discharge (ESD) can damage this device. This device must be protected at all times from ESD when handling or transporting. Static charges may easily produce potentials of several kilovolts on the human body or equipment, which can discharge without detection. Industry-standard ESD handling precautions should be used at all times.*

**Table 3. SKY13416-485LF General Electrical Specifications<sup>1</sup>**  
**(V<sub>DD</sub> = 2.6 V, V<sub>1</sub> = V<sub>2</sub> = V<sub>3</sub> = 0/1.8 V, P<sub>IN</sub> = 0 dBm, T<sub>OP</sub> = +25 °C, Characteristic Impedance [Z<sub>0</sub>] = 50 Ω, Unless Otherwise Noted)**

| Parameter  | Symbol                                   | Test Condition (Note 2)  | Min   | Typ   | Max         | Units  |
|--|--|--|-------|-------|-------------|--------|
| <b>DC Specifications</b>   |  |  |       |       |             |        |
| Supply voltage   | V <sub>DD</sub>                          |  | 2.5   | 3.0   | 4.8         | V      |
| Supply current   | I <sub>DD</sub>                          |  |       | 40    | 50          | μA     |
| Control voltage:<br>High<br>Low  | V <sub>CTL_H</sub><br>V <sub>CTL_L</sub> |  | 1.35  | 1.80  | 2.70<br>0.4 | V<br>V |
| Control current  | I <sub>CTL</sub>                         | V <sub>CTL</sub> = 1.8 V   |       | 0.5   | 1.0         | μA     |
| Shutdown mode supply current   | I <sub>OFF</sub>                         | V <sub>1/2/3</sub> = 1.8 V, V <sub>DD</sub> = 3 V                                      |       | 5     | 10          | μA     |
| Turn-on switching time   | t <sub>ON</sub>                          | 50% of final control voltage to 90% of final RF power, switching between RF1/2/3/4/5/6 |       | 1.75  | 2.20        | μs     |
| <b>RF Specifications</b>   |  |  |       |       |             |        |
| Insertion loss (ANT pin to RF1/2/3/4/5/6 pins)   | IL                                       | 0.1 to 1.0 GHz   |       | 0.40  | 0.50        | dB     |
|  |  | 1.0 to 2.0 GHz   |       | 0.45  | 0.55        | dB     |
|  |  | 2.0 to 2.7 GHz   |       | 0.50  | 0.60        | dB     |
|  |  | 3.4 to 3.8 GHz   |       | 0.5   | 0.95        | dB     |
| Insertion loss (ANT-RF1/2/3/4)   | IL                                       | 3.8 to 6.0 GHz   |       | 0.6   | 1.4         | dB     |
| Insertion loss (ANT-RF5/6)   | IL                                       | 3.8 to 6.0 GHz   |       | 0.9   | 2.2         | dB     |
| Isolation (ANT pin to RF1/2/3/4/5/6 pins)  | Iso                                      | 0.1 to 1.0 GHz   | 36    | 39    |             | dB     |
|  |  | 1.0 to 2.0 GHz   | 28    | 29    |             | dB     |
|  |  | 2.0 to 2.7 GHz   | 25    | 27    |             | dB     |
|  |  | 3.4 to 3.8 GHz   | 17    | 20    |             | dB     |
|  |  | 3.8 to 6.0 GHz   | 15    | 18    |             | dB     |
| Input return loss (ANT pin to RF1/2/3/4/5/6 pins)  | RL                                       | 0.1 to 1.0 GHz   | 24    | 27    |             | dB     |
|  |  | 1.0 to 2.0 GHz   | 23    | 25    |             | dB     |
|  |  | 2.0 to 2.7 GHz   | 15    | 18    |             | dB     |
|  |  | 3.4 to 3.8 GHz   | 8.5   | 10    |             | dB     |
|  |  | 3.8 to 6.0 GHz   | 6.0   | 12    |             | dB     |
| 2 <sup>ND</sup> harmonics:<br>ANT pin to RF1/2/3/4/5/6 pins<br>ANT pin to RF2/3/4/5/6 pins | 2fo                                      | P <sub>IN</sub> = +26 dBm:<br>0.1 to 2.7 GHz   |       | +96   |             | dBc    |
|  |  | 3.4 to 3.8 GHz   |       | +92   |             | dBc    |
| 3 <sup>RD</sup> harmonics:<br>ANT pin to RF1/2/3/4/5/6 pins<br>ANT pin to RF2/3/4/5/6 pins | 3fo                                      | P <sub>IN</sub> = +26 dBm:<br>0.1 to 2.7 GHz   |       | +99   |             | dBc    |
|  |  | 3.4 to 3.8 GHz   |       | +94   |             | dBc    |
| Harmonics (ANT-RF3,4,5,6) +26 dBm input power  | 2fo                                      | 3.8 to 5 GHz   |       | -78   | -55         | dBm    |
|  | 3fo                                      | 3.8 to 5 GHz   |       | -79   | -53         | dBm    |
|  | 2fo                                      | 3.8 to 5 GHz, VSWR 5:1   |       | -70   | -40         | dBm    |
|  | 3fo                                      | 3.8 to 5 GHz, VSWR 5:1   |       | -75   | -42         | dBm    |
| 0.1 dB compression point<br>(ANT pin to RF1/2/3/4/5/6 pins)                                | P <sub>0.1dB</sub>                       | 0.1 GHz to 2.7 GHz   |       | +37.5 |             | dBm    |
|  |  | 3.4 GHz to 5.0 GHz   | +36.5 | +37.1 |             | dBm    |
| Third order input intercept point  | IIP3                                     | @ 2.0 GHz,<br>P <sub>IN</sub> = +26 dBm,<br>Δf = 1 MHz                                 |       | +70   |             | dBm    |

<sup>1</sup> Performance is guaranteed only under the conditions listed in this table.

**Table 4. SKY13416-485LF Control Logic<sup>1</sup>**

| Control Pins  |               |               | Switched RF Outputs |                |                |                 |                |                 |
|---------------|---------------|---------------|---------------------|----------------|----------------|-----------------|----------------|-----------------|
| V1<br>(Pin 7) | V2<br>(Pin 6) | V3<br>(Pin 5) | RF1<br>(Pin 3)      | RF2<br>(Pin 9) | RF3<br>(Pin 2) | RF4<br>(Pin 10) | RF5<br>(Pin 1) | RF6<br>(Pin 11) |
| 0             | 0             | 0             | Insertion Loss      | Isolation      | Isolation      | Isolation       | Isolation      | Isolation       |
| 0             | 0             | 1             | Isolation           | Insertion Loss | Isolation      | Isolation       | Isolation      | Isolation       |
| 0             | 1             | 0             | Isolation           | Isolation      | Insertion Loss | Isolation       | Isolation      | Isolation       |
| 0             | 1             | 1             | Isolation           | Isolation      | Isolation      | Insertion Loss  | Isolation      | Isolation       |
| 1             | 0             | 0             | Isolation           | Isolation      | Isolation      | Isolation       | Insertion Loss | Isolation       |
| 1             | 0             | 1             | Isolation           | Isolation      | Isolation      | Isolation       | Isolation      | Insertion Loss  |
| 1             | 1             | 0             | Isolation           | Isolation      | Insertion Loss | Isolation       | Insertion Loss | Isolation       |
| 1             | 1             | 1             | Shutdown Mode       |                |                |                 |                |                 |

<sup>1</sup> “High” = 1.8 V; “Low” = 0 V. Any state other than that described in this table places the switch into an undefined state. An undefined state will not damage the device.  
 Insertion loss in V1/V2/V3 = 110b state is 3 dB lower than typical insertion loss.

**Table 5. Isolation Matrix (1 of 2)**

| “On” Port              | Frequency<br>(GHz) | Isolation<br>(dB) |     |     |     |     |     |
|------------------------|--------------------|-------------------|-----|-----|-----|-----|-----|
|                        |                    | RF1               | RF2 | RF3 | RF4 | RF5 | RF6 |
| <i>Antenna-to-Port</i> |                    |                   |     |     |     |     |     |
| RF1                    | 1.0                |                   | -48 | -41 | -42 | -39 | -38 |
| RF1                    | 2.0                |                   | -40 | -32 | -36 | -30 | -31 |
| RF1                    | 2.7                |                   | -37 | -28 | -33 | -26 | -28 |
| RF1                    | 3.8                |                   | -32 | -18 | -34 | -25 | -31 |
| RF2                    | 1.0                | -45               |     | -40 | -40 | -36 | -39 |
| RF2                    | 2.0                | -38               |     | -34 | -33 | -30 | -31 |
| RF2                    | 2.7                | -35               |     | -31 | -29 | -27 | -27 |
| RF2                    | 3.8                | -32               |     | -33 | -18 | -29 | -25 |
| RF3                    | 1.0                | -38               | -47 |     | -43 | -42 | -38 |
| RF3                    | 2.0                | -31               | -40 |     | -36 | -31 | -31 |
| RF3                    | 2.7                | -28               | -36 |     | -33 | -26 | -28 |
| RF3                    | 3.8                | -18               | -34 |     | -34 | -18 | -31 |
| RF4                    | 1.0                | -44               | -38 | -40 |     | -37 | -43 |
| RF4                    | 2.0                | -37               | -32 | -34 |     | -30 | -31 |
| RF4                    | 2.7                | -34               | -29 | -31 |     | -27 | -27 |
| RF4                    | 3.8                | -33               | -18 | -33 |     | -29 | -19 |
| RF5                    | 1.0                | -47               | -47 | -38 | -44 |     | -39 |
| RF5                    | 2.0                | -36               | -40 | -30 | -36 |     | -32 |
| RF5                    | 2.7                | -31               | -36 | -27 | -33 |     | -29 |
| RF5                    | 3.8                | -22               | -33 | -17 | -33 |     | -30 |
| RF6                    | 1.0                | -45               | -49 | -41 | -39 | -38 |     |
| RF6                    | 2.0                | -38               | -37 | -35 | -31 | -31 |     |
| RF6                    | 2.7                | -35               | -32 | -31 | -28 | -28 |     |
| RF6                    | 3.8                | -33               | -23 | -32 | -17 | -29 |     |

**Table 5. Isolation Matrix (2 of 2)**

| "On" Port           | Frequency (GHz) | Isolation (dB) |     |     |     |     |     |
|---------------------|-----------------|----------------|-----|-----|-----|-----|-----|
|                     |                 | RF1            | RF2 | RF3 | RF4 | RF5 | RF6 |
| <i>Port-to-Port</i> |                 |                |     |     |     |     |     |
| RF1                 | 1.0             |                | -52 | -31 | -52 | -44 | -43 |
| RF1                 | 2.0             |                | -43 | -25 | -44 | -35 | -37 |
| RF1                 | 2.7             |                | -38 | -22 | -39 | -30 | -33 |
| RF1                 | 3.8             |                | -32 | -23 | -29 | -21 | -24 |
| RF2                 | 1.0             | -53            |     | -47 | -31 | -40 | -44 |
| RF2                 | 2.0             | -42            |     | -40 | -25 | -34 | -35 |
| RF2                 | 2.7             | -38            |     | -37 | -22 | -31 | -30 |
| RF2                 | 3.8             | -31            |     | -27 | -25 | -23 | -22 |
| RF3                 | 1.0             | -31            | -54 |     | -53 | -33 | -44 |
| RF3                 | 2.0             | -24            | -44 |     | -44 | -26 | -37 |
| RF3                 | 2.7             | -21            | -39 |     | -39 | -23 | -34 |
| RF3                 | 3.8             | -24            | -32 |     | -29 | -21 | -24 |
| RF4                 | 1.0             | -54            | -31 | -48 |     | -41 | -33 |
| RF4                 | 2.0             | -43            | -24 | -41 |     | -35 | -26 |
| RF4                 | 2.7             | -39            | -22 | -37 |     | -32 | -23 |
| RF4                 | 3.8             | -30            | -25 | -27 |     | -23 | -22 |
| RF5                 | 1.0             | -36            | -54 | -30 | -54 |     | -46 |
| RF5                 | 2.0             | -30            | -44 | -24 | -44 |     | -38 |
| RF5                 | 2.7             | -27            | -39 | -21 | -39 |     | -34 |
| RF5                 | 3.8             | -26            | -32 | -22 | -29 |     | -24 |
| RF6                 | 1.0             | -54            | -37 | -50 | -31 | -43 |     |
| RF6                 | 2.0             | -43            | -30 | -41 | -24 | -36 |     |
| RF6                 | 2.7             | -39            | -27 | -37 | -21 | -33 |     |
| RF6                 | 3.8             | -30            | -27 | -27 | -24 | -23 |     |

**Table 6. Insertion Loss (IL) and Return Loss (RL) Matrix**

| “On” Throw | Frequency (GHz) | IL (dB) | RL_Pole (dB) | RL_Throw (dB) |
|------------|-----------------|---------|--------------|---------------|
| RF1        | 1.0             | -0.38   | -20          | -21           |
| RF1        | 2.0             | -0.47   | -18          | -19           |
| RF1        | 2.7             | -0.47   | -18          | -19           |
| RF1        | 3.8             | -0.66   | -13          | -14           |
| RF2        | 1.0             | -0.36   | -20          | -21           |
| RF2        | 2.0             | -0.44   | -19          | -18           |
| RF2        | 2.7             | -0.45   | -18          | -20           |
| RF2        | 3.8             | -0.63   | -13          | -14           |
| RF3        | 1.0             | -0.38   | -20          | -20           |
| RF3        | 2.0             | -0.47   | -17          | -17           |
| RF3        | 2.7             | -0.49   | -16          | -18           |
| RF3        | 3.8             | -0.71   | -12          | -13           |
| RF4        | 1.0             | -0.38   | -20          | -20           |
| RF4        | 2.0             | -0.47   | -17          | -17           |
| RF4        | 2.7             | -0.48   | -17          | -18           |
| RF4        | 3.8             | -0.72   | -12          | -12           |
| RF5        | 1.0             | -0.40   | -19          | -20           |
| RF5        | 2.0             | -0.50   | -17          | -17           |
| RF5        | 2.7             | -0.53   | -15          | -18           |
| RF5        | 3.8             | -0.80   | -11          | -12           |
| RF6        | 1.0             | -0.36   | -19          | -20           |
| RF6        | 2.0             | -0.47   | -16          | -16           |
| RF6        | 2.7             | -0.49   | -16          | -17           |
| RF6        | 3.8             | -0.76   | -11          | -12           |

### Evaluation Board Description

The SKY13416-485LF Evaluation Board is used to test the performance of the SKY13416-485LF SP6T Switch. An Evaluation Board schematic diagram is provided in Figure 3. An assembly drawing for the Evaluation Board is shown in Figure 4.

### Package Dimensions

The PCB layout footprint for the SKY13416-485LF is provided in Figure 5. Typical part markings are shown in Figure 6. Package dimensions are shown in Figure 7, and tape and reel dimensions are provided in Figure 8.

### Package and Handling Information

Instructions on the shipping container label regarding exposure to moisture after the container seal is broken must be followed. Otherwise, problems related to moisture absorption may occur when the part is subjected to high temperature during solder assembly.

The SKY13416-485LF is rated to Moisture Sensitivity Level 1 (MSL1) at 260 °C. It can be used for lead or lead-free soldering. For additional information, refer to the Skyworks Application Note, *PCB Design & SMT Assembly/Rework Guidelines for MCM-L Packages*, document number 101752.

Care must be taken when attaching this product, whether it is done manually or in a production solder reflow environment. Production quantities of this product are shipped in a standard tape and reel format.

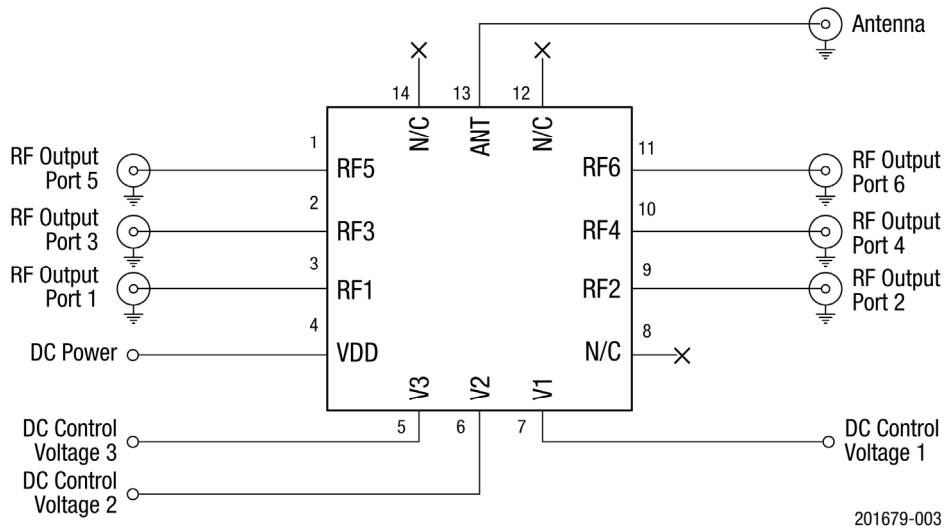


Figure 3. SKY13416-485LF Evaluation Board Schematic

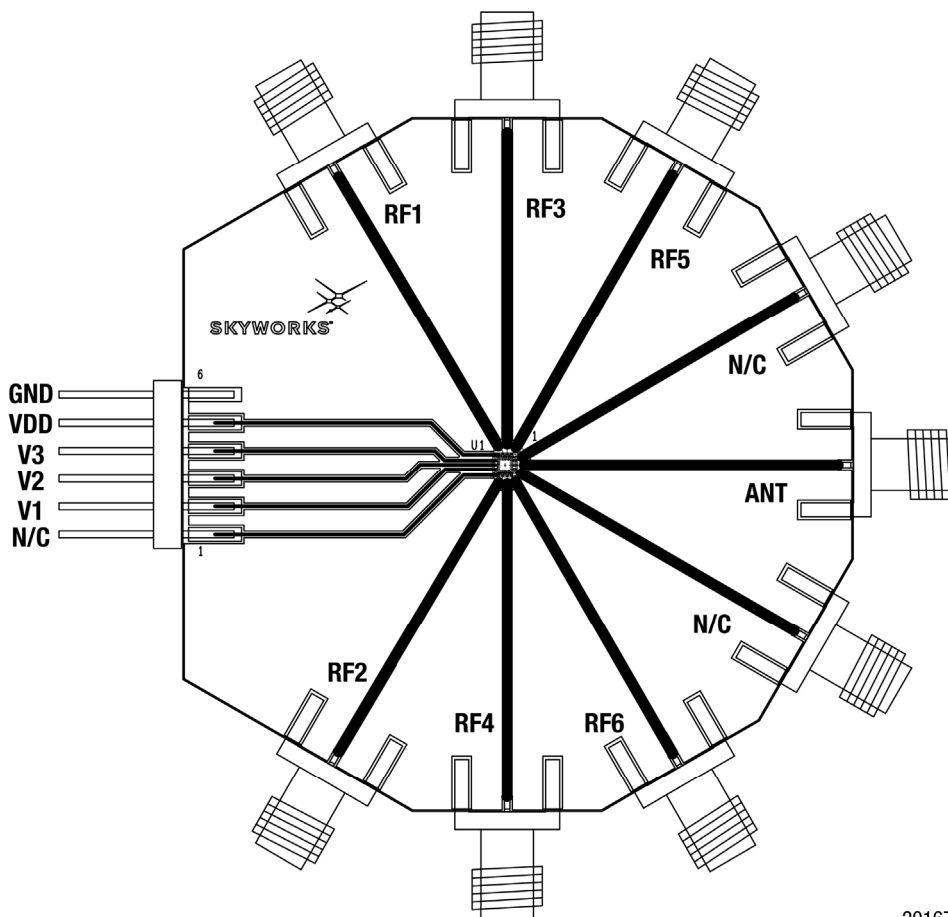
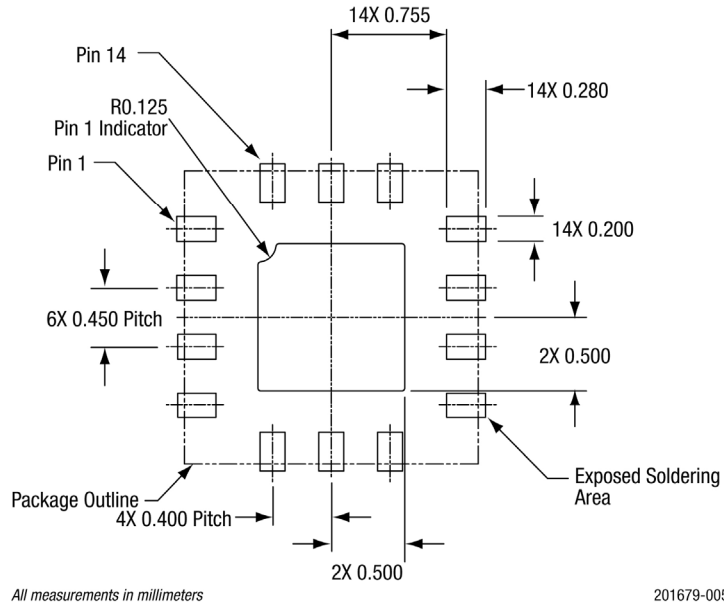
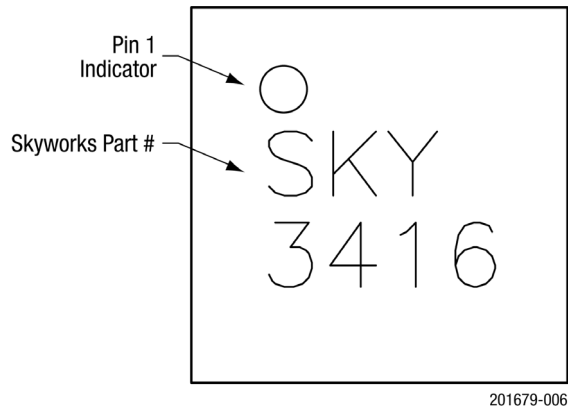


Figure 4. SKY13416-485LF Evaluation Board Assembly Diagram





**Figure 5. SKY13416-485LF PCB Layout Footprint (Top View)**



**Figure 6. Typical Part Markings (Top View)**

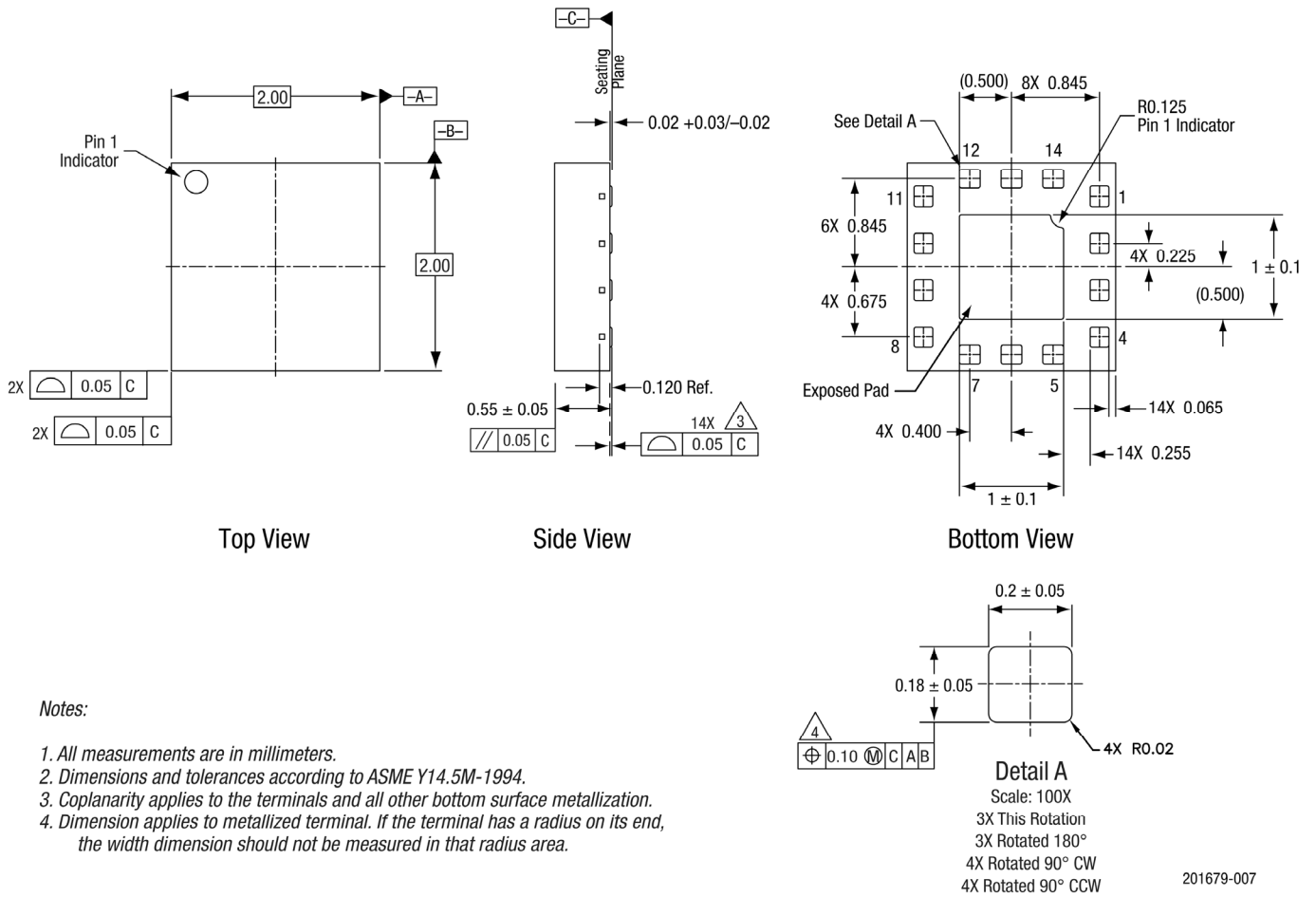
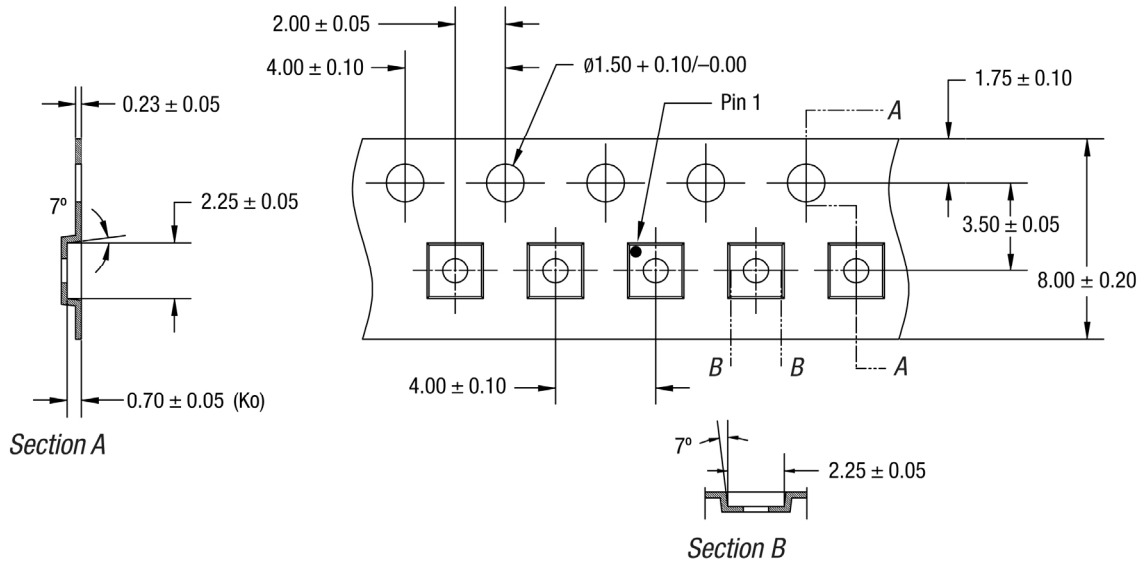


Figure 7. SKY13416-485LF Package Dimensions



Notes:

1. Carrier tape must meet all requirements of Skyworks GP01-D232 procurement spec for tape and reel shipping.
2. Carrier tape shall be black conductive polycarbonate bakeable material at 125 °C temperature.
3. Cover tape shall be transparent conductive with 5.40 mm width.
4. ESD-surface resistivity must meet all ESD requirements of Skyworks specified on GP01-D232.
5. All measurements are in millimeters.

201679-008

**Figure 8. SKY13416-485LF Tape and Reel Dimensions**