

PRODUCT SUMMARY

SKY55950-11: Sky5® Low-Current GNSS LNA Front-End Module with Integrated Pre-Filter and Post-Filter

Applications

- Wearables
- Action cameras
- Drones
- Personal navigation devices
- GNSS radio receivers

Features

- Small signal gain: 16 dB
- Out-of-band P1dB: +8 dBm
- Out-of-band rejection: +90 dBc, 1627 to 1629 MHz
- Low noise figure: 1.9 dB
- Low current consumption: 1 mA @ 1.8 V
- Input/output impedance internally matched to 50 Ω
- Single DC supply: 1.5 to 3.6 V
- Minimum number of external SMT devices required
- Small MCM (10-pin, 2.5 x 2.5 x 0.56 [typical] mm) package (MSL3, 260 °C per JEDEC J-STD-020)



Skyworks Green™ products are compliant with all applicable legislation and are halogen-free. For additional information, refer to *Skyworks Definition of Green™*, document number SQ04-0074.

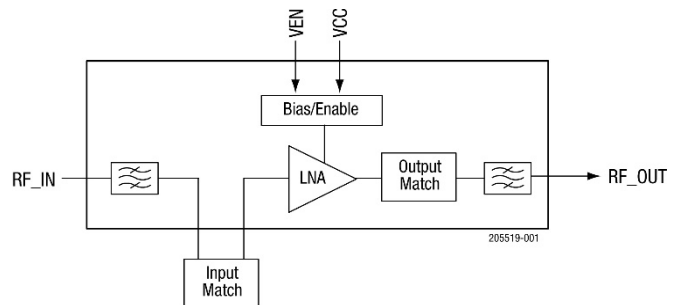


Figure 1. SKY55950-11 Block Diagram

Description

The SKY55950-11 is a front-end module (FEM) with an integrated low-noise amplifier (LNA) and pre-filter and post-filter designed for Global Navigation Satellite System (GNSS) receiver applications. The SKY55950-11 is part of our Sky5® product portfolio. The device provides low-current, excellent out-of-band rejection, and low noise figure. The pre-filter and post-filter provide low in-band insertion loss and excellent rejection for the cellular, PCS, and WLAN frequency bands. Output matching components are embedded inside the device. Only one external input matching inductor is required.

The SKY55950-11 is optimized to operate at 1559 to 1606 MHz, which makes it ideal for GPS / GLONASS / Galileo / Compass / QZSS radio receiver applications.

The SKY55950-11 uses surface-mount technology (SMT) in the form of a 2.5 x 2.5 x 0.56 (typical) mm Multi-Chip Module (MCM) package, which allows for a highly manufacturable and low-cost solution.

A functional block diagram is shown in Figure 1.

Ordering Information

Part Number	Product Description	Evaluation Board Part Number
SKY55950-11	Low-Current GNSS LNA FEM with Integrated Pre-Filter and Post-Filter	SKY55950-11EK1

Copyright © 2021 Skyworks Solutions, Inc. All Rights Reserved.

Information in this document is provided in connection with Skyworks Solutions, Inc. (“Skyworks”) products or services. These materials, including the information contained herein, are provided by Skyworks as a service to its customers and may be used for informational purposes only by the customer. Skyworks assumes no responsibility for errors or omissions in these materials or the information contained herein. Skyworks may change its documentation, products, services, specifications or product descriptions at any time, without notice. Skyworks makes no commitment to update the materials or information and shall have no responsibility whatsoever for conflicts, incompatibilities, or other difficulties arising from any future changes.

No license, whether express, implied, by estoppel or otherwise, is granted to any intellectual property rights by this document. Skyworks assumes no liability for any materials, products or information provided hereunder, including the sale, distribution, reproduction or use of Skyworks products, information or materials, except as may be provided in Skyworks Terms and Conditions of Sale.

THE MATERIALS, PRODUCTS AND INFORMATION ARE PROVIDED “AS IS” WITHOUT WARRANTY OF ANY KIND, WHETHER EXPRESS, IMPLIED, STATUTORY, OR OTHERWISE, INCLUDING FITNESS FOR A PARTICULAR PURPOSE OR USE, MERCHANTABILITY, PERFORMANCE, QUALITY OR NON-INFRINGEMENT OF ANY INTELLECTUAL PROPERTY RIGHT; ALL SUCH WARRANTIES ARE HEREBY EXPRESSLY DISCLAIMED. SKYWORKS DOES NOT WARRANT THE ACCURACY OR COMPLETENESS OF THE INFORMATION, TEXT, GRAPHICS OR OTHER ITEMS CONTAINED WITHIN THESE MATERIALS. SKYWORKS SHALL NOT BE LIABLE FOR ANY DAMAGES, INCLUDING BUT NOT LIMITED TO ANY SPECIAL, INDIRECT, INCIDENTAL, STATUTORY, OR CONSEQUENTIAL DAMAGES, INCLUDING WITHOUT LIMITATION, LOST REVENUES OR LOST PROFITS THAT MAY RESULT FROM THE USE OF THE MATERIALS OR INFORMATION, WHETHER OR NOT THE RECIPIENT OF MATERIALS HAS BEEN ADVISED OF THE POSSIBILITY OF SUCH DAMAGE.

Skyworks products are not intended for use in medical, lifesaving or life-sustaining applications, or other equipment in which the failure of the Skyworks products could lead to personal injury, death, physical or environmental damage. Skyworks customers using or selling Skyworks products for use in such applications do so at their own risk and agree to fully indemnify Skyworks for any damages resulting from such improper use or sale.

Customers are responsible for their products and applications using Skyworks products, which may deviate from published specifications as a result of design defects, errors, or operation of products outside of published parameters or design specifications. Customers should include design and operating safeguards to minimize these and other risks. Skyworks assumes no liability for applications assistance, customer product design, or damage to any equipment resulting from the use of Skyworks products outside of stated published specifications or parameters.

Skyworks, the Skyworks symbol, Skyworks Green™, and Sky5® are trademarks or registered trademarks of Skyworks Solutions, Inc. or its subsidiaries in the United States and other countries. Third-party brands and names are for identification purposes only and are the property of their respective owners. Additional information, including relevant terms and conditions, posted at www.skyworksinc.com, are incorporated by reference.