

**PRODUCT SUMMARY**

# SKY66318-11: 3300 to 3600 MHz Wide Instantaneous Bandwidth High-Efficiency Power Amplifier

**Applications**

- 4G LTE and 5G NR systems
- Supports 3GPP Bands 22, 42, n77, and n78
- Driver amplifier for micro base stations and macro base stations
- Enterprise small cell and massive MIMO

**Features**

- Wide instantaneous signal bandwidth: 100 MHz
- High-efficiency and power: PAE = 25% @ +28 dBm
- High linearity: <-50 dBc ACLR @ +28 dBm with linearization (100 MHz 5G, 8.0 dB PAR signal)
- High gain: 35 dB
- Excellent input and output return loss
- Integrated active bias
- Integrated enable On/Off function: PAEN = 1.7 to 2.5 V
- Single supply voltage: 5.0 V
- Pin-to-pin compatible PA family supporting major 3GPP bands
- Compact (16-pin, 5 × 5 × 1.3 mm) package (MSL3, 260 °C per JEDEC J-STD-020)


**Description**

The SKY66318-11 is a high-efficiency power amplifier (PA), designed for the stringent requirements of enterprise small cell applications. The PA offers wide instantaneous bandwidth and is fully input / output matched with high gain and efficiency. Active biasing circuitry is also integrated to compensate for PA performance over temperature, voltage, and process variation. With a compact 5 x 5 mm package, the SKY66318-11 is ideal for 4G LTE and 5G NR systems operating from 3300 to 3600 MHz. The SKY66318-11 is available on major transceiver reference designs.

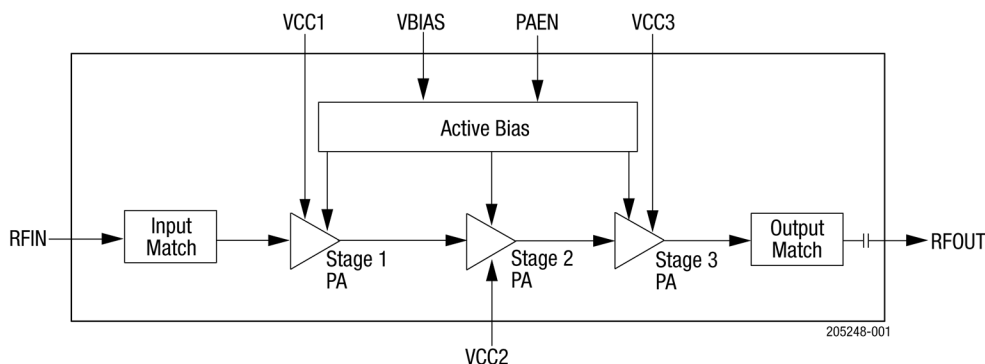
The SKY66318-11 is part of a high-efficiency, pin-to-pin compatible PA family supporting major 3GPP bands. Table 1 lists the pin-to-pin compatible parts in the PA family. A block diagram of the SKY66318-11 is shown in Figure 1.

**Table 1. Pin-to-Pin Compatible PA Family**

Part Number	Frequency (MHz)	Band
SKY66312-11	2300 to 2400	Bands 30 and 40
SKY66317-11	2496 to 2690	Bands 7, 38, and 41
SKY66313-11	3400 to 3600	Bands 22, 42, and n78
SKY66318-11	3300 to 3600	Bands 22, 42, n77, and n78
SKY66319-11	4400 to 5000	Band n79
SKY66320-11	3600 to 3800	Band 43



Skyworks Green™ products are compliant with all applicable legislation and are halogen-free. For additional information, refer to *Skyworks Definition of Green™*, document number SQ04-0074.



**Figure 1. SKY66318-11 Block Diagram**

## Ordering Information

Part Number	Product Description	Evaluation Board Part Number
SKY66318-11	3300 to 3600 MHz Wide Instantaneous High-Efficiency PA	SKY66318-11EK1

Copyright © 2019 Skyworks Solutions, Inc. All Rights Reserved.

Information in this document is provided in connection with Skyworks Solutions, Inc. ("Skyworks") products or services. These materials, including the information contained herein, are provided by Skyworks as a service to its customers and may be used for informational purposes only by the customer. Skyworks assumes no responsibility for errors or omissions in these materials or the information contained herein. Skyworks may change its documentation, products, services, specifications or product descriptions at any time, without notice. Skyworks makes no commitment to update the materials or information and shall have no responsibility whatsoever for conflicts, incompatibilities, or other difficulties arising from any future changes.

No license, whether express, implied, by estoppel or otherwise, is granted to any intellectual property rights by this document. Skyworks assumes no liability for any materials, products or information provided hereunder, including the sale, distribution, reproduction or use of Skyworks products, information or materials, except as may be provided in Skyworks Terms and Conditions of Sale.

THE MATERIALS, PRODUCTS AND INFORMATION ARE PROVIDED "AS IS" WITHOUT WARRANTY OF ANY KIND, WHETHER EXPRESS, IMPLIED, STATUTORY, OR OTHERWISE, INCLUDING FITNESS FOR A PARTICULAR PURPOSE OR USE, MERCHANTABILITY, PERFORMANCE, QUALITY OR NON-INFRINGEMENT OF ANY INTELLECTUAL PROPERTY RIGHT; ALL SUCH WARRANTIES ARE HEREBY EXPRESSLY DISCLAIMED. SKYWORKS DOES NOT WARRANT THE ACCURACY OR COMPLETENESS OF THE INFORMATION, TEXT, GRAPHICS OR OTHER ITEMS CONTAINED WITHIN THESE MATERIALS. SKYWORKS SHALL NOT BE LIABLE FOR ANY DAMAGES, INCLUDING BUT NOT LIMITED TO ANY SPECIAL, INDIRECT, INCIDENTAL, STATUTORY, OR CONSEQUENTIAL DAMAGES, INCLUDING WITHOUT LIMITATION, LOST REVENUES OR LOST PROFITS THAT MAY RESULT FROM THE USE OF THE MATERIALS OR INFORMATION, WHETHER OR NOT THE RECIPIENT OF MATERIALS HAS BEEN ADVISED OF THE POSSIBILITY OF SUCH DAMAGE.

Skyworks products are not intended for use in medical, lifesaving or life-sustaining applications, or other equipment in which the failure of the Skyworks products could lead to personal injury, death, physical or environmental damage. Skyworks customers using or selling Skyworks products for use in such applications do so at their own risk and agree to fully indemnify Skyworks for any damages resulting from such improper use or sale.

Customers are responsible for their products and applications using Skyworks products, which may deviate from published specifications as a result of design defects, errors, or operation of products outside of published parameters or design specifications. Customers should include design and operating safeguards to minimize these and other risks. Skyworks assumes no liability for applications assistance, customer product design, or damage to any equipment resulting from the use of Skyworks products outside of stated published specifications or parameters.

Skyworks and the Skyworks symbol are trademarks or registered trademarks of Skyworks Solutions, Inc. or its subsidiaries in the United States and other countries. Third-party brands and names are for identification purposes only, and are the property of their respective owners. Additional information, including relevant terms and conditions, posted at [www.skyworksinc.com](http://www.skyworksinc.com), are incorporated by reference.