

## DATA SHEET

# SKY72310-11: Spur-Free, 50 MHz to 2.1 GHz Single Fractional-N Frequency Synthesizer

## Applications

- Land mobile radio systems
- 4G and 5G wireless infrastructure
- Broadband wireless access
- Low bit rate wireless telemetry
- Instrumentation
- L-band receivers
- Satellite communications

## Features

- Spur-free, fractional-N operation
- Operating frequency: 50 MHz to 2.1 GHz
- Normalized phase noise: -218 dBc/Hz
- Low power consumption: 11 to 14 mW typical @ 3 V
- Ultra-fine step size, 100 Hz or less
- Software programmable power-down modes
- High-speed serial interface up to 100 Mbps
- Programmable division ratios on reference frequency
- Phase detector with programmable gain to provide a programmable loop bandwidth
- On-chip crystal oscillator
- Supply range: 2.7 to 3.3 V operation
- High ESD: 1 kV HBM
- MCM (24-pin, 4 x 4 mm)  
(MSL3, 260 °C per JEDEC J-STD-020) package
- Pin-compatible replacement to the SKY72310-362LF

## Description

Skyworks SKY72310-11 fractional-N frequency synthesizer provides ultra-fine frequency resolution, fast switching speed, and low phase-noise performance. This synthesizer is a key building block for high-performance radio system designs that require low power and fine step size.

The ultra-fine step size of less than 100 Hz allows this synthesizer to be used in very narrowband wireless applications. With proper temperature sensing or through control channels, the synthesizer's fine step size can compensate for crystal oscillator or intermediate frequency (IF) filter drift. As a result, crystal oscillators or crystals can replace temperature-compensated or ovenized crystal oscillators, reducing parts count and associated component cost. The device's fine step size can also be used for Doppler shift corrections.

Reference crystals or oscillators up to 50 MHz can be used with the SKY72310-11. The crystal frequency is divided down by independent programmable dividers (1 to 32) for the synthesizer. The phase detector can operate at a maximum speed of 50 MHz, which allows better phase noise due to the lower division value. With a high reference frequency, the loop bandwidths can also be increased. Larger loop bandwidths improve the settling times and reduce in-band phase noise. Therefore, typical switching times of less than 100  $\mu$ s can be achieved. The lower in-band phase noise also permits the use of lower cost Voltage Controlled Oscillators (VCOs) in customer applications.



Skyworks Green™ products are compliant with all applicable legislation and are halogen-free. For additional information, refer to *Skyworks Definition of Green™*, document number SQ04-0074.

The unit operates with a three-wire, high-speed serial interface. A combination of large bandwidth, fine resolution, and the three wire interface allows for direct frequency modulation of the VCO. This supports any continuous phase, constant envelope modulation scheme such as Frequency Modulation (FM), Frequency Shift Keying (FSK), Minimum Shift Keying (MSK), or Gaussian Minimum Shift Keying (GMSK).

This capability can eliminate the need for In-phase and Quadrature (I/Q) Digital-to-Analog Converters (DACs), quadrature

upconverters, and IF filters from the transmitter portion of the radio system.

Figure 1 shows a functional block diagram for the SKY72310-11. The device package and pinout for the 24-pin Multi-Chip Module (MCM) package are shown in Figure 2. Signal pin assignments and functional pin descriptions are described in Table 1.

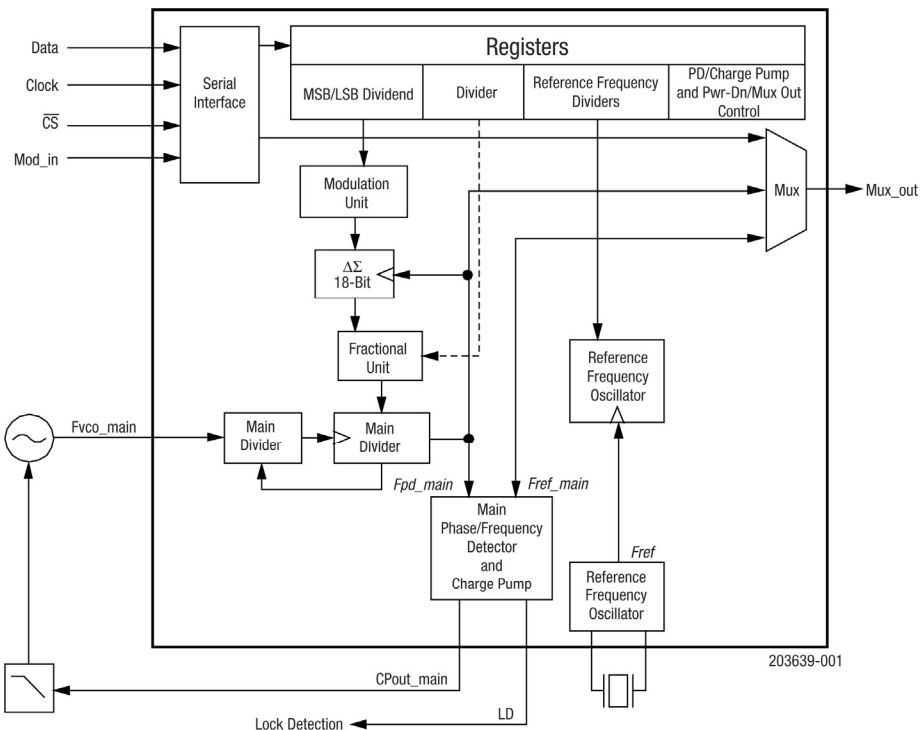
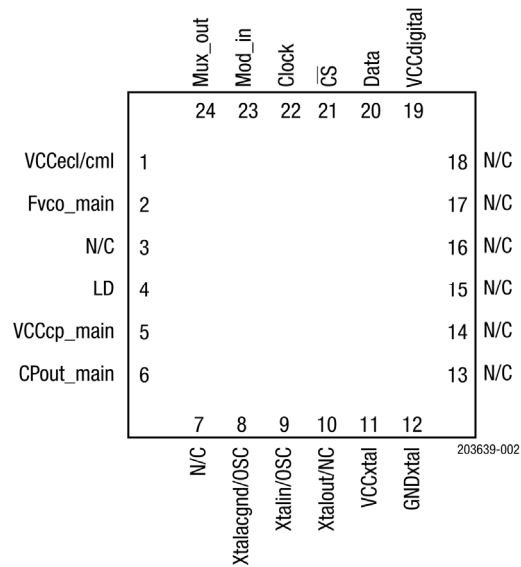


Figure 1. SKY72310-11 Functional Block Diagram



**Figure 2. SKY72310-11 Pinout (Top View)**

**Table 1. SKY72310-11 Signal Descriptions**

Pin	Pin Name	Type	Description
1	VCCecl/cml	Power and ground	ECL/CML, 3 V. Removing power safely powers down the associated divider chain and charge pump.
2	Fvco_main	Input	Main VCO single-ended input.
3	N/C	-	No connection.
4	LD	Digital output	Lock detect output pin. Indicates phase detector out-of-lock as an active low.
5	VCCcp_main <sup>1</sup>	Power and ground	Charge pump supply, 3 to 5 V. Removing power safely powers down the associated divider chain and charge pump.
6	CPout_main	Analog output	Charge pump output. The gain of the charge pump phase detector is controlled by the Phase Detector/Charge Pump Control Register.
7	N/C	-	No connection
8	Xtalacgnd/OSC	Ground/input	Reference crystal AC ground or external oscillator differential input.
9	Xtalin/OSC	Input	Reference crystal input or external oscillator differential input.
10	Xtalout/NC	Input	Reference crystal output or no connect.
11	VCCxtal	Power and ground	Crystal oscillator ECL/CML, 3 V.
12	GNDxtal	Power and ground	Crystal oscillator ground.
13 to 18	N/C	-	No connection
19	VCCdigital <sup>1</sup>	Power and ground	Digital supply, 3 V.
20	Data	Digital input	Serial address and data input pin. Address bits are followed by data bits.
21	$\overline{CS}$	Digital input	Active low enable pin. Enables loading of address and data on the Data pin on the rising edge of Clock. When $\overline{CS}$ goes high, data is transferred to the register indicated by the address. Subsequent clock edges are ignored.
22	Clock	Digital input	Clock signal pin. When $\overline{CS}$ is low, the register address and data are shifted in address bits first on the Data pin on the rising edge of Clock.
23	Mod_in	Digital input	Alternate serial modulation data input pin. Address bits are followed by data bits.
24	Mux_out	Digital output	Internal multiplexer output. Selects from oscillator frequency, reference frequency, divided VCO frequency, serial data out, or testability signals. This pin can be tri-stated from the synthesizer registers.

<sup>1</sup> Associated pairs of power and ground pins must be decoupled using 0.1  $\mu$ F capacitors.

## Technical Description

The SKY72310-11 is a fractional-N frequency synthesizer using a  $\Delta\Sigma$  modulation technique. The fractional-N implementation provides low in-band noise by having a low division ratio and fast frequency settling time. In addition, the SKY72310-11 provides arbitrarily fine frequency resolution with a digital word, so that the frequency synthesizer can be used to compensate for crystal frequency drift in the RF transceiver.

### Serial Interface

The serial interface is a versatile three-wire interface consisting of three pin signals: Clock (serial clock), Data (serial input), and  $\overline{CS}$  (chip select). It enables the SKY72310-11 to operate in a system where one or multiple masters and slaves are present. To perform a loopback test at startup and to check the integrity of the board and processor, the serial data is fed back to the master device (e.g., a microcontroller or microprocessor unit) through a programmable multiplexer. This facilitates hardware and software debugging.

### $\Delta\Sigma$ Modulator

The SKY72310-11 provides fractionality through the use of a proprietary, configurable 10-bit or 18-bit  $\Delta\Sigma$  modulator. The output from the modulator is combined with the divider ratio through its fractional units.

### VCO Prescaler

The VCO prescaler provides low-noise signal conditioning of the VCO signal. It translates an off-chip, single-ended signal to an on-chip differential Current Mode Logic (CML) signal.

### VCO Divider

The SKY72310-11 provides a programmable divider that controls the CML prescaler and supplies the required signal to the charge pump phase detector. Programmable divide ratios ranging from 38 to 537 are possible in fractional-N mode and from 32 to 543 in integer-N mode.

### Reference Frequency Oscillator

The SKY72310-11 has a self-contained, low-noise crystal oscillator. This crystal oscillator is followed by the clock generation circuitry that generates the required clock for the programmable reference frequency divider.

### Reference Frequency Divider

The crystal oscillator signal can be divided by a ratio of 1 to 32 to create the reference frequency for the phase detector. The divide ratio is programmed using the Reference Frequency Dividers Register.

**NOTE:** The divided crystal oscillator frequency (the internal reference frequency),  $f_{ref\_main}$ , is referred to as “reference frequency” throughout this document.

### Phase Detector and Charge Pump

The SKY72310-11 uses a charge pump phase detector that provides a programmable gain from 0.125 to 1 mA/radian. The phase detector is programmed using the Phase Detector/Charge Pump Control Register (Register 6).

### Lock Detection

The SKY72310-11 provides an active low LD signal at Pin 4 to indicate an out-of-lock condition. When the phase detector is locked, the LD signal is logic high.

### Power Down

The SKY72310-11 supports a number of power-down modes through the serial interface. For more information, see the Register Descriptions section of this document.

## Serial Interface Operation

The serial interface consists of three pins: Clock (pin 22), Data (Pin 20), and  $\overline{CS}$  (pin 21). The Clock signal controls data on the two serial data lines (Data and  $\overline{CS}$ ). The Data pin shifts bits into a temporary register on the rising edge of Clock. The  $\overline{CS}$  signal allows individual selection transfers that synchronize and sample the information of slave devices on the same bus.

Figure 3 functionally depicts how a serial transfer takes place. A serial transfer is initiated when a microcontroller or microprocessor forces the  $\overline{CS}$  signal to a low state. This is followed immediately by an address/data stream sent to the Data pin that coincides with the rising edges of the clock presented at the Clock pin.

Each rising edge of the Clock signal shifts in one bit of data on the Data line into a shift register. At the same time, one bit of data is shifted out of the Mux\_out pin (if the serial bit stream is selected) at each falling edge of Clock. To load any of the registers, 16 bits of address or data must be presented to the Data line with the LSB last while the  $\overline{CS}$  signal is low. If the  $\overline{CS}$  signal is low for more than 16 clock cycles, only the last address or data bits are used to load the registers.

### Register Programming

Register programming equations, described in this section, use the following variables and constants:

- $N_{fractional}$  Desired VCO division ratio in fractional-N applications. This is a real number and can be interpreted as the reference frequency ( $f_{ref}$ ) multiplying factor so that the resulting frequency is equal to the desired VCO frequency.
- $N_{integer}$  Desired VCO division ratio in integer-N applications. This number is an integer and can be interpreted as the reference frequency ( $f_{ref}$ ) multiplying factor so that the resulting frequency is equal to the desired VCO frequency.
- $N_{reg}$  Nine-bit unsigned input value to the divider ranging from 0 to 511 (integer-N mode) and from 6 to 505 (fractional-N mode).
- divider* This constant equals 262144 when the  $\Delta\Sigma$  modulator is in 18-bit mode, and 1024 when the  $\Delta\Sigma$  modulator is in 10-bit mode.
- dividend* In 18-bit mode, this is the 18-bit signed or unsigned input value to the  $\Delta\Sigma$  modulator, ranging from -131072 to +131071 or from 0 to 262143 and providing 262144 steps, each step equal to  $f_{div\_ref}/2^{18}$  Hz.  
  
In 10-bit mode, this is the 10-bit signed or unsigned input value to the  $\Delta\Sigma$  modulator, ranging from -512 to +511 or from 0 to 1023 and providing 1024 steps, each step equal to  $f_{div\_ref}/2^{10}$  Hz.
- $f_{VCO}$  Desired VCO frequency.
- $f_{div\_ref}$  Divided reference frequency presented to the phase detector.

**Fractional-N Applications.** The desired division ratio for the synthesizer is given by:

$$N_{fractional} = \frac{f_{VCO}}{f_{div\_ref}}$$

where  $N_{fractional}$  must be between 37.5 and 537.5.

In unsigned mode, the value to be programmed in the Divider Register is given by:

$$N_{reg} = Floor(N_{fractional}) - 32$$

In signed mode, the value to be programmed in the Divider Register is given by:

$$N_{reg} = Round(N_{fractional}) - 32$$

**NOTE:** The Round function rounds the number to the nearest integer.

When in fractional mode, allowed values for  $N_{reg}$  are from 6 to 505 inclusive.

The value to be programmed by either of the Dividend Registers (MSB or LSB) is given by:

$$dividend = Round[divider \times (N_{fractional} - N_{reg} - 32)]$$

where the divider is either 1024 in 10-bit mode or 262144 in 18-bit mode. Therefore, the dividend is a signed binary value either 10 or 18 bits long.

**NOTE:** Because of the high fractionality of the SKY72310-11, there is no practical need for any integer relationship between the reference frequency and the channel spacing or desired VCO frequencies.

Sample calculations for two fractional-N applications are provided in Figure 4.

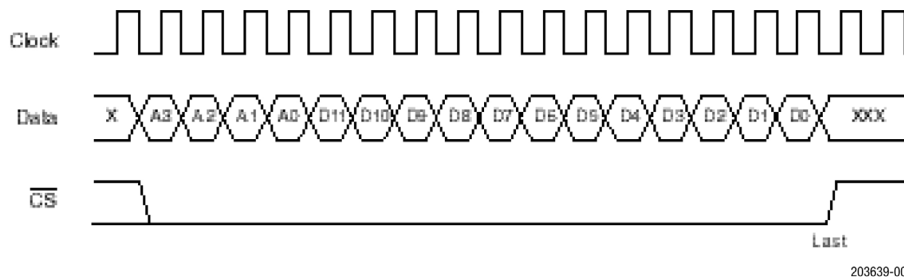


Figure 3. Serial Transfer Timing Diagram

**Case 1:** To achieve a desired  $F_{vco\_main}$  frequency of 902.4530 MHz using a crystal frequency of 40 MHz with operation of the synthesizer in 18-bit mode. Since the maximum internal reference frequency ( $F_{div\_ref}$  is 50 MHz, the crystal frequency is divided by 2 to obtain a  $F_{div\_ref}$  of 20 MHz. Therefore:

$$\begin{aligned} N_{fractional} &= F_{vco\_main} \div F_{div\_ref} \\ &= 902.4530 \div 20 \\ &= 45.12265 \end{aligned}$$

The value to be programmed in the Divider Register is:

$$\begin{aligned} N_{reg} &= \text{Round}[N_{fractional}] - 32 \\ &= \text{Round}[45.12265] - 32 \\ &= 45 - 32 \\ &= 13 \text{ (decimal)} \\ &= 000001101 \text{ (binary)} \end{aligned}$$

With the modulator in 18-bit mode, the value to be programmed in the Dividend Registers is:

$$\begin{aligned} \text{dividend} &= \text{Round}[\text{divider} \times (N_{fractional} - N_{reg} - 32)] \\ &= \text{Round}[262144 \times (45.12265 - 13 - 32)] \\ &= \text{Round}[262144 \times (0.12265)] \\ &= \text{Round}[32151.9616] \\ &= 32152 \text{ (decimal)} \\ &= 000111110110011000 \text{ (binary)} \end{aligned}$$

Where 00 0111 1101 is loaded in the Dividend MSB Register and 1001 1000 is loaded in the Dividend LSB Register.

Summary:

- Dividend Register = 0 0000 1101
- Dividend LSB Register = 1001 1000
- Dividend MSB Register = 00 0111 1101
- The resulting VCO frequency is 902.453 MHz
- Step size is 76.3 Hz

*Note: The frequency step size for this case is 20 MHz divided by  $2^{18}$ , giving 76.3 Hz.*

**Figure 4. Fractional-N Applications: Sample Calculation (1 of 2)**

**Case 2:** To achieve a desired  $F_{VCO\_MAIN}$  frequency of 917.7786 MHz using a crystal frequency of 19.2 MHz with operation of the synthesizer in 10-bit mode. Since the maximum internal reference frequency ( $F_{DIV\_REF}$ ) is 25 MHz, the crystal frequency does not require the internal division to be greater than 1, which makes  $F_{DIV\_REF} = 19.2$  MHz. Therefore:

$$\begin{aligned} N_{fractional} &= \frac{F_{VCO\_MAIN}}{F_{DIV\_REF}} \\ &= \frac{917.7786}{19.2} \\ &= 47.80097 \end{aligned}$$

The value to be programmed in the Divider Register is:

$$\begin{aligned} N_{reg} &= \text{Floor}[N_{fractional}] - 32 \\ &= \text{Floor}[47.80087] - 32 \\ &= 47 - 32 \\ &= 15 \text{ (decimal)} \\ &= 0000001111 \text{ (binary)} \end{aligned}$$

With the modulator in 10-bit mode, the value to be programmed in the Divider Registers is:

$$\begin{aligned} \text{dividend} &= \text{Round}[\text{divider} \times (N_{fractional} - N_{reg} - 32)] \\ &= \text{Round}[1024 \times (47.80087 - 15 - 32)] \\ &= \text{Round}[1024 \times (0.80087)] \\ &= \text{Round}[820.09088] \\ &= 820 \text{ (decimal)} \\ &= 1100110100 \text{ (binary)} \end{aligned}$$

where 11 0011 0100 is loaded in the Dividend MSB Register.

Summary:

Divider Register = 0 0001 0000  
 Dividend MSB Register = 11 0011 0100  
 The resulting VCO frequency is 917.775 MHz  
 Step size is 18.75 kHz

*Note: The frequency step size for this case is 19.2 MHz divided by  $2^{10}$ , giving 18.75 kHz.*

203639-004

**Figure 4. Fractional-N Applications: Sample Calculation (2 of 2)**

**Integer-N Applications.** The desired division ratio for the synthesizer is given by:

$$N_{integer} = \frac{f_{vco\_main}}{f_{div\_ref}}$$

where  $N_{integer}$  is an integer number from 32 to 543.

The value to be programmed in the Divider Register is given by:

$$N_{reg} = N_{integer} - 32$$

When in integer mode, allowed values for  $N_{reg}$  are from 0 to 511.

**NOTE:** As with all integer-N synthesizers, the minimum step size is related to the crystal frequency and reference frequency division ratio.

**Register Loading Order.** In applications where the synthesizer is in 18-bit mode, the Dividend MSB Register holds the 10 MSBs of the dividend and the Dividend LSB Register holds the 8 LSBs of the dividend. The registers that control the synthesizer's divide ratio are to be loaded in the following order:

- Divider Register
- Dividend LSB Register
- Dividend MSB Register (at which point the new divide ratio takes effect)

In applications where the synthesizer is in 10-bit mode, the Dividend MSB Register holds the 10 bits of the dividend. The registers that control the synthesizer's divide ratio are to be loaded in the following order:

- Divider Register
- Dividend MSB Register (at which point the new divide ratio takes effect)

**NOTE:** When in integer mode, the new divide ratios take effect as soon as the Divider Register is loaded.

### Direct Digital Modulation

The high fractionality and small step size of the SKY72310-11 allow the user to tune to practically any frequency in the VCO's operating range. This allows direct digital modulation by programming the different desired frequencies at precise instants. Typically, the channel frequency is programmed by the Main Divider and MSB/LSB Dividend Registers, and the instantaneous frequency offset from the carrier is programmed by the Modulation Data Register.

Direct Digital Modulation is only supported in unsigned mode. The Modulation Data Register can be accessed in three ways as defined in the following subsections.

**Normal Register Write.** A normal 16-bit serial interface write occurs when the  $\overline{CS}$  signal is 16 clock cycles wide. The

corresponding 16-bit modulation data is simultaneously presented to the Data pin. The content of the Modulation Data Register is passed to the modulation unit at the next falling edge of the divided main VCO frequency ( $f_{pd\_main}$ ).

**Short  $\overline{CS}$  Through Data Pin (No Address Bits Required).** A shortened serial interface write occurs when the  $\overline{CS}$  signal is from 2 to 12 clock cycles wide. The corresponding modulation data (2 to 12 bits) is simultaneously presented to the Data pin. The Data pin is the default pin used to enter modulation data directly in the Modulation Data Register with shortened  $\overline{CS}$  strobes.

This method of data entry eliminates the register address overhead on the serial interface. All serial interface bits are re-synchronized internally at the reference oscillator frequency. The content of the Modulation Data Register is passed to the modulation unit at the next falling edge of the divided main VCO frequency ( $f_{pd\_main}$ ).

**Short  $\overline{CS}$  Through Mod\_in Pin (No Address Bits Required).** A shortened serial interface write occurs when the  $\overline{CS}$  signal is from 2 to 12 clock cycles wide. The corresponding modulation data (2 to 12 bits) is simultaneously presented on the Mod\_in pin, an alternate pin used to enter modulation data directly into the Modulation Data Register with shortened  $\overline{CS}$  strobes. This mode is selected through the Modulation Control Register.

This method of data entry also eliminates the register address overhead on the serial interface and allows a different device than the one controlling the channel selection to enter the modulation data (e.g., a microcontroller for channel selection and a digital signal processor for modulation data).

All serial interface bits are internally re-synchronized at the reference oscillator frequency and the content of the Modulation Data Register is passed to the modulation unit at the next falling edge of the divided main VCO frequency ( $f_{pd\_main}$ ).

Modulation data samples in the Modulation Data Register can be from 2 to 12 bits long, and enable the user to select how many distinct frequency steps are to be used for the desired modulation scheme.

The user can also control the frequency deviation through the modulation data magnitude offset in the Modulation Control Register. This allows shifting of the modulation data to accomplish a  $2^m$  multiplication of frequency deviation.

**NOTE:** The programmable range from 0 to less than 1 of the main  $\Delta\Sigma$  modulator can be exceeded up to the condition where the sum of the dividend and the modulation data conform to:

$$-0.0625 \leq (N_{mod} + dividend) \leq +1.0625$$

When the sum of the dividend and modulation data lie outside this range, the value of  $N_{integer}$  must be changed.



## Register Descriptions

Table 2 lists the eight 16-bit registers that are used to program the SKY72310-11. All register writes are programmed address first, followed directly with data. MSBs are entered first. On power up, all registers are reset to 0x000 except the Divider Register at address 0x0, which is set to 0x006.

### Synthesizer Registers

The Divider Register contains the integer portion closest to the desired fractional-N (or the integer-N) value minus 32. This register, in conjunction with the Dividend Registers (which control the fraction offset from 0 to less than 1), allows selection of a precise frequency. As shown in Figure 5, the value to be loaded is:

- Synthesizer Divider Index = 9-bit value for the integer portion of the synthesizer divider. Valid values for this register are from 6 to 505 (fractional-N) or 0 to 511 (integer-N).

The Dividend MSB and LSB Registers control the fraction part of the desired fractional-N value and allow an offset from 0 to less than 1 to the main integer selected through the Divider Register. As shown in Figures 6 and 7, values to be loaded are:

- Synthesizer Dividend (MSBs) = 10-bit value for the MSBs of the 18-bit dividend for the synthesizer.
- Synthesizer Dividend (LSBs) = 8-bit value for the LSBs of the 18-bit dividend for the synthesizer.

The Dividend Register MSB and LSB values are unsigned format.

**NOTE:** When in 10-bit mode, the Dividend LSB Register is not required.

The reference frequency divider provides the reference frequency to the phase detector by dividing the crystal oscillator frequency. Divide ratios from 1 to 32 are possible for the reference frequency divider (see Table 3).

The Reference Frequency Dividers Register configures the reference frequency divider for the synthesizer. As shown in Figure 8, the values to be loaded are:

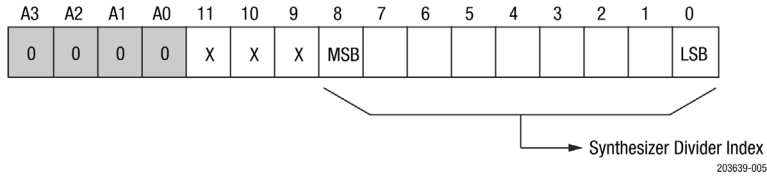
- Reference Frequency Divider Index = Desired oscillator frequency division ratio -1. Default value on power up is 0, signifying that the reference frequency is not divided for the phase detector.

**Table 2. SKY72310-11 Register Map**

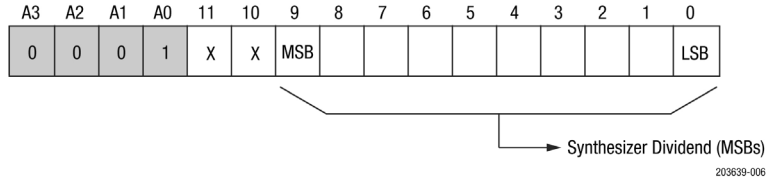
Address	Register <sup>1</sup>	Length (Bits)	Address (Bits)
0	Divider Register	12	4
1	Dividend MSB Register	12	4
2	Dividend LSB Register	12	4
3	Unused		
4	Unused		
5	Reference Frequency Dividers Register	12	4
6	Phase Detector/Charge Pump Control Register	12	4
7	Power Down/Multiplexer Output Select Control Register	12	4
8	Modulation Control Register	12	4
9	Modulation Data Register	12	4
—	Modulation Data Register <sup>2</sup> — direct input	2 ≤ length ≤ 12 bits	0
14	Delta Sigma	12	4

<sup>1</sup> All registers are write only.

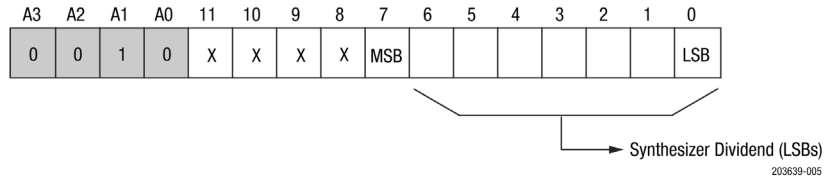
<sup>2</sup> No address bits are required for modulation data. Any serial data between 2 and 12 bits long is considered modulation data.



**Figure 5. Divider Register (Write Only)**



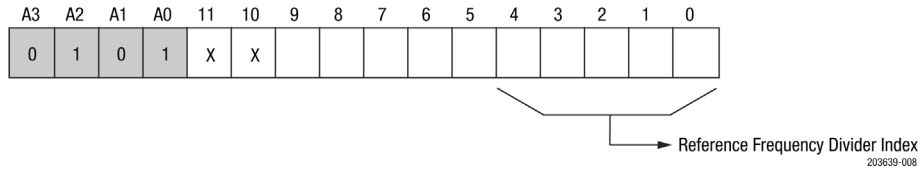
**Figure 6. Dividend MSB Register (Write Only)**



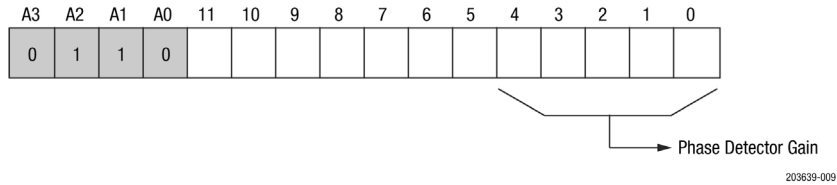
**Figure 7. Dividend LSB Register (Write Only)**

**Table 3. Programming the Reference Frequency Divider**

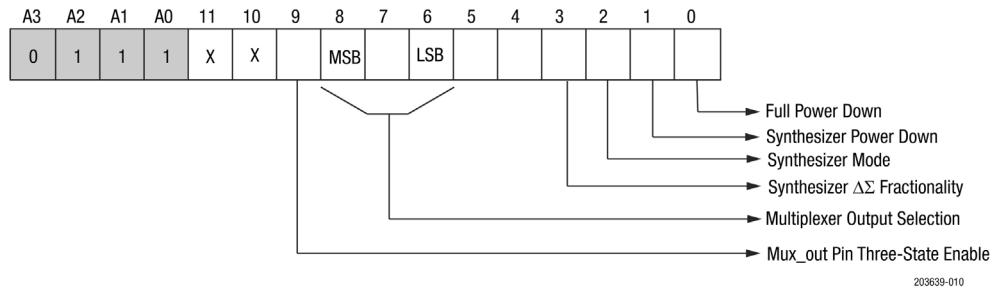
Decimal	Bit 4 (MSB)	Bit 3	Bit 2	Bit 1	Bit 0 (LSB)	Reference Divider Ratio
0	0	0	0	0	0	1
1	0	0	0	0	1	2
2	0	0	0	1	0	3
-	-	-	-	-	-	-
-	-	-	-	-	-	-
-	-	-	-	-	-	-
31	1	1	1	1	1	32



**Figure 8. Reference Frequency Dividers Register (Write Only)**



**Figure 9. Phase Detector/Charge Pump Control Register (Write Only)**



**Figure 10. Power Down/Multiplexer Output Select Control Register (Write Only)**

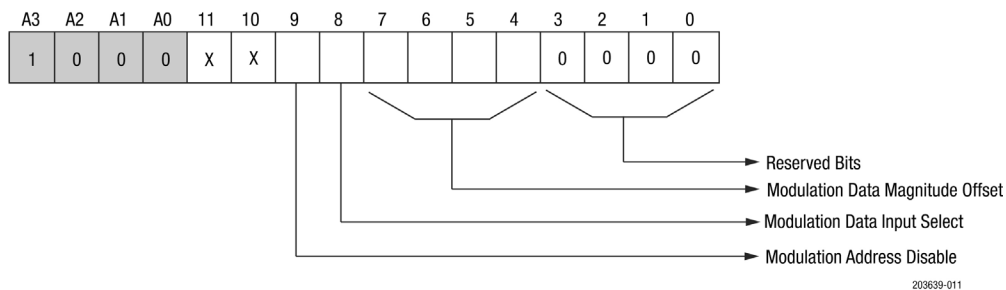
The Phase Detector/Charge Pump Control Register allows control of the gain for the phase detector. As shown in Figure 9, a 5-bit value is loaded for programmable phase detector gain. Range is from 0.125 to 1 mA/radian.

The Power Down/Multiplexer Output Select Control Register allows control of the power-down modes, internal multiplexer output, and  $\Delta\Sigma$  synthesizer fractionality. As shown in Figure 10, the values to be loaded are:

- Full Power Down = One-bit flag to power down the SKY72310-11 except for the reference oscillator and the serial interface. When this bit is cleared, the SKY72310-11 is powered up. When this bit is set, the SKY72310-11 is in full power-down mode excluding the Mux\_out signal (pin 24).
- Synthesizer Power Down = 1-bit flag to power down the synthesizer. When this bit is cleared, the synthesizer is powered up. When this bit is set, the synthesizer is in power-down mode.

**Table 4. Multiplexer Output**

Multiplexer Output Select (Bit 8)	Multiplexer Output Select (Bit 7)	Multiplexer Output Select (Bit 6)	Multiplexer Output (Mux_out, Pin 24)
0	0	0	Reference oscillator
0	0	1	Unused
0	1	0	Reference frequency ( $F_{ref\_main}$ )
0	1	1	Unused
1	0	0	Phase detector frequency ( $F_{pd\_main}$ )
1	0	1	Serial data out
1	1	0	Serial interface test output
1	1	1	Unused



**Figure 11. Modulation Control Register (Write Only)**

- Synthesizer Mode = One-bit flag to power down the  $\Delta\Sigma$  modulator and fractional unit. When this bit is cleared, the synthesizer is in fractional-N mode. When this bit is set, the synthesizer is in integer-N mode.
- Synthesizer  $\Delta\Sigma$  Fractionality = One-bit flag to configure the size of the  $\Delta\Sigma$  modulator. This has a direct effect on power consumption, and on the level of fractionality and step size. When this bit is cleared, the  $\Delta\Sigma$  modulator is 18-bit with a fractionality of  $2^{18}$  and a step size of  $f_{ref\_main}/262144$ . When this bit is set, the  $\Delta\Sigma$  modulator is 10-bit with a fractionality of  $2^{10}$  and a step size of  $f_{ref\_main}/1024$ .

**NOTE:** There are no special power-up sequences required for the SKY72310-11.

- Multiplexer Output Selection = Three-bit value that selects which internal signal is output to the Mux\_out pin. The following internal signals are available on this pin:
  - Reference oscillator:  $f_{ref}$
  - Divided reference (post-reference frequency divider):  $f_{ref\_main}$
  - Phase detector frequency (post-frequency divider):  $f_{pd\_main}$
  - Serial data out for loop-back and test purposes

Refer to Table 4 for more information.

- Mux\_out Pin Tri-State Enable = One-bit flag to tri-state the Mux\_out pin. When this bit is cleared, the Mux\_out pin is enabled. When this bit is set, the Mux\_out pin is tri-stated.

The Modulation Control Register is used to configure the modulation unit of the main synthesizer. The modulation unit adds or subtracts a frequency offset to the selected center frequency at which the main synthesizer operates. The size of the modulation data sample, controlled by the duration of the  $\overline{CS}$  signal, can be from 2 to 12 bits wide to provide from 4 to 4096 selectable frequency offset steps.

The modulation data magnitude offset selects the magnitude multiplier for the modulation data and can be from 0 to 8. As shown in Figure 11, the values to be loaded are:

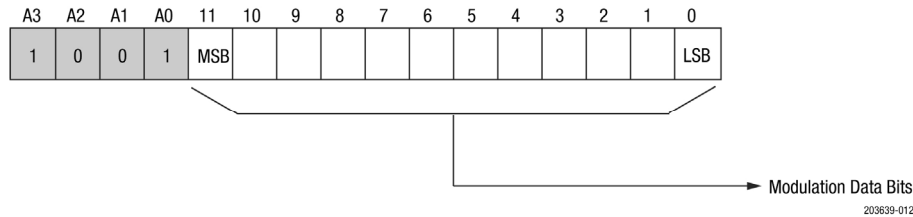
- Modulation Data Magnitude Offset = Four-bit value that indicates the magnitude multiplier (m) for the modulation data samples. Valid values range from 0 to 13, effectively providing a  $2^m$  multiplication of the modulation data sample.
- Modulation Data Input Select = One-bit flag to indicate the pin on which modulation data samples are serially input when the  $\overline{CS}$  signal is between 2 and 12 bits long. When this bit is cleared, modulation data samples are to be presented on the Data pin. When this bit is set, modulation data samples are to be presented on the Mod\_in pin.
- Modulation Address Disable = One-bit flag to indicate the presence of the address as modulation data samples are presented on either the Mod\_in or Data pins. When this bit is cleared, the address is presented with the modulation data samples (i.e., all transfers are 16 bits long). When this bit is set,

no address is presented with the modulation data samples (i.e., all transfers are 2 to 12 bits long).

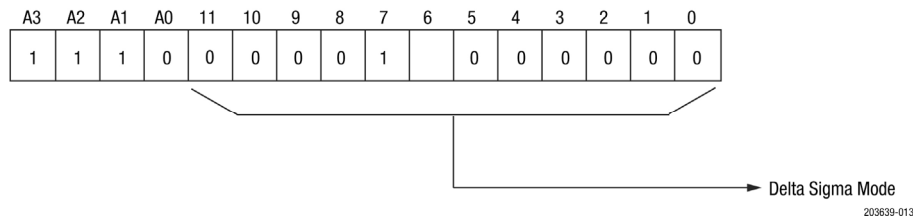
The Modulation Data Register is used to load the modulation data samples to the modulation unit. These values are transferred to the modulation unit on the falling edge of  $f_{pd\_main}$  where they are passed to the main  $\Delta\Sigma$  modulator at the selected magnitude offset on the next falling edge of  $f_{pd\_main}$ . Modulation Data Register

values are 2's complement format. As shown in Figure 12, the value to be loaded is:

- Modulation Data Bits = Modulation data samples that represent the instantaneous frequency offset to the selected main synthesizer frequency (selected channel) before being affected by the modulation data magnitude offset.



**Figure 12. Modulation Data Register (Write Only)**



**Figure 13. Delta Sigma Control Register (Write Only)**

Delta Sigma Mode = One-bit flag to indicate the mode of delta sigma modulation. When this bit is cleared, modulator operates in unsigned mode covering a fractional range from 0 to 262143 in 18-bit mode and from 0 to 1023 in 10-bit mode. When this bit is set modulator operates in signed mode covering a fractional range from -131072 to +131071 in 18-bit mode and from -512 to +511 in 10-bit mode.

### Electrical and Mechanical Specifications

The absolute maximum ratings of the SKY72310-11 are provided in Table 5.

The recommended operating conditions are specified in Table 6, and electrical specifications are provided in Table 7.

**Table 5. SKY72310-11 Absolute Maximum Ratings<sup>1</sup>**

Parameter	Symbol	Min	Max	Units
Maximum analog RF supply voltage			3.6	VDC
Maximum digital supply voltage			3.6	VDC
Maximum charge pump supply voltage			5.25	VDC
Storage temperature	T <sub>STG</sub>	-65	+150	°C
Operating temperature	T <sub>A</sub>	-40	+85	°C

<sup>1</sup> Exposure to maximum rating conditions for extended periods may reduce device reliability. There is no damage to device with only one parameter set at the limit and all other parameters set at or below their nominal values.

---

**ESD HANDLING:** *Although this device is designed to be as robust as possible, electrostatic discharge (ESD) can damage this device. This device must be protected at all times from ESD when handling or transporting. Static charges may easily produce potentials of several kilovolts on the human body or equipment, which can discharge without detection. Industry-standard ESD handling precautions should be used at all times.*

---

**Table 6. Recommended Operating Conditions**

Parameter	Min	Max	Units
Analog RF supplies	2.7	3.3	VDC
Digital supply	2.7	3.3	VDC
Charge pump supplies	2.7	5.0	VDC
Operating temperature (T <sub>A</sub> )	-40	+85	°C

**Table 7. SKY72310-11 Electrical Characteristics**  
(VCC = 3 V, TA = 25 °C, Unless Otherwise Noted)

Parameter	Symbol	Test Conditions	Min	Typ	Max	Units
<b>Power Consumption</b>						
Total power consumption	P <sub>TOTAL</sub>	Charge pump current of 125 μA, synthesizer fractional, f <sub>REF_MAIN</sub> = 24 MHz, RF 1824 MHz		11 (@ RF = 500 MHz) 12 (@ RF = 900 MHz) 14 (@ RF = 1824 MHz)		mW
Power-down current	I <sub>CC-PWDN</sub>			30 <sup>1</sup>		μA
<b>Reference Oscillator</b>						
Reference oscillator frequency	f <sub>OSC</sub>				50	MHz
Oscillator sensitivity (as a buffer)	V <sub>OSC</sub>	AC coupled, single-ended	0.2		2.0	V <sub>pp</sub>
<b>VCO</b>						
Synthesizer operating frequency	f <sub>VCO_MAIN</sub>	Sinusoidal, -40 °C to +85 °C	50 <sup>2</sup>		2100	MHz
RF input sensitivity	V <sub>VCO</sub>	AC coupled	75		1000	mV <sub>peak</sub>
Fractional-N tuning step size	Δf <sub>STEP_MAIN</sub>			f <sub>REF_MAIN</sub> /2 <sup>18</sup> or f <sub>REF_MAIN</sub> /2 <sup>10</sup>		Hz
<b>Phase Noise</b>						
Figure of Merit (FoM)	P <sub>nf</sub>	Measured using 250 kHz loop BW and 24 MHz reference frequency, -40 °C to +85 °C		-218		dBc/Hz
<b>Phase Detector and Charge Pump</b>						
Phase detector frequency	f <sub>REF_MAIN</sub>	-40 °C to +85 °C			50	MHz
Charge pump output source current	I <sub>CP-SOURCE</sub>	V <sub>CP</sub> = 0.5 V <sub>CCCP</sub>	125		1000	μA
Charge pump output sink current	I <sub>CP-SINK</sub>	V <sub>CP</sub> = 0.5 V <sub>CCCP</sub>	-125		-1000	μA
Charge pump accuracy	I <sub>CP-ACCURACY</sub>			±20		%
Charge pump output voltage linearity range	I <sub>CP</sub> vs V <sub>CP</sub>	0.5 V ≤ V <sub>CP</sub> ≤ (3.9 V max)	GND + 0.2		3.9	V
Charge pump current vs temperature	I <sub>CP</sub> vs T	V <sub>CP</sub> = 0.5 V <sub>DDCP</sub> -40 °C < T < +85 °C		5		%
Charge pump current vs voltage	I <sub>CP</sub> vs V <sub>CP</sub>	0.5 V ≤ V <sub>CP</sub> ≤ (3.9 V max)		8		%
<b>Digital Pins</b>						
High level input voltage	V <sub>IH</sub>		0.7 V <sub>CC</sub>		V <sub>CC</sub>	V
Low level input voltage	V <sub>IL</sub>				0.3 V <sub>CC</sub>	V
High level output voltage	V <sub>OH</sub>	I <sub>OH</sub> = -2 mA	V <sub>CC</sub> -0.2			V
Low level output voltage	V <sub>OL</sub>	I <sub>OL</sub> = +2 mA			GND + 0.2	V
<b>Timing - Serial Interface</b>						
Clock frequency	f <sub>CLOCK</sub>			100		MHz
Data and CS set up time to Clock rising	t <sub>SU</sub>		3			ns
Data and CS hold time after Clock rising	t <sub>HOLD</sub>		3			ns

<sup>1</sup> A 5 V charge pump power supply on pin 5 results in higher power-down leakage current.

<sup>2</sup> The minimum synthesizer frequency is 12 x f<sub>osc</sub>, where f<sub>osc</sub> is the frequency at the XtalIn/OSC pin.

### Evaluation Board Description

The SKY72310-11 Evaluation Board is used to test the performance of the SKY72310-11 Frequency Synthesizer.

A schematic diagram is provided in Figure 14. A Bill of Materials (BOM) for the Evaluation Board is listed in Table 8.

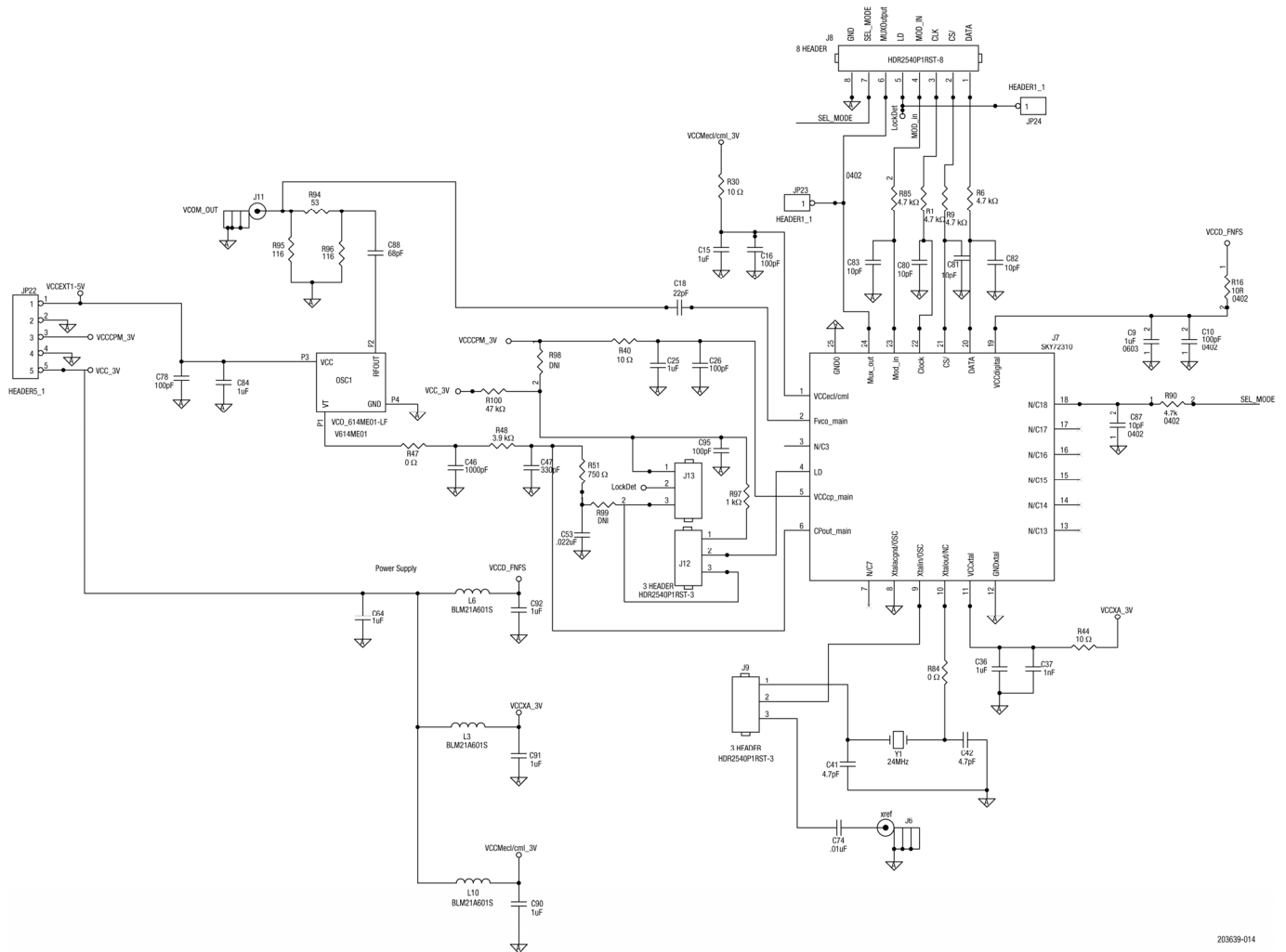


Figure 14. SKY72310-11 Evaluation Board Schematic



**SKY72310-11 Evaluation Board Bill of Materials (BoM)**

Quantity	Reference Designator	Value	Size
9	C9,C15,C25,C36,C64,C84,C90,C91,C92	1 uF	603
5	C10,C16,C26,C78,C95	100 pF	402
1	C18	22 pF	402
1	C37	1 nF	402
2	C41,C42	4.7 pF	402
1	C46	1000 pF	402
1	C47	330 pF	402
1	C53	.022 uF	402
1	C74	.1 uF	402
5	C80,C81,C82,C83,C87	10 pF	402
1	C88	68 pF	402
1	JP22	HEADER5_1	
2	JP23,JP24	HEADER1_1	
2	J6,J11	J_SMA_EDGE_2_4GHz	
1	J7	SKY72310	
1	J8	8 HEADER	
3	J9,J12,J13	3 HEADER	
3	L3,L6,L10	BLM21A601S,Murata	
1	OSC1	V614ME01-LF (1800 MHz) or V580ME02-LF (900 MHz)	
5	R1,R6,R9,R85,R90	4.7 kΩ	402
4	R16,R30,R40,R44	10 Ω	402
3	R47,R84,R94	0 Ω	402
1	R48	3.9 kΩ	402
1	R51	750 Ω	402
4	R95,R96,R99,R98	DNI	402
1	R97	1 kΩ	402
1	R100	47 kΩ	402
1	Y1	24 MHz - XTAL_CSM_7X ECS-240-12-5PX-TR	

### Package Dimensions

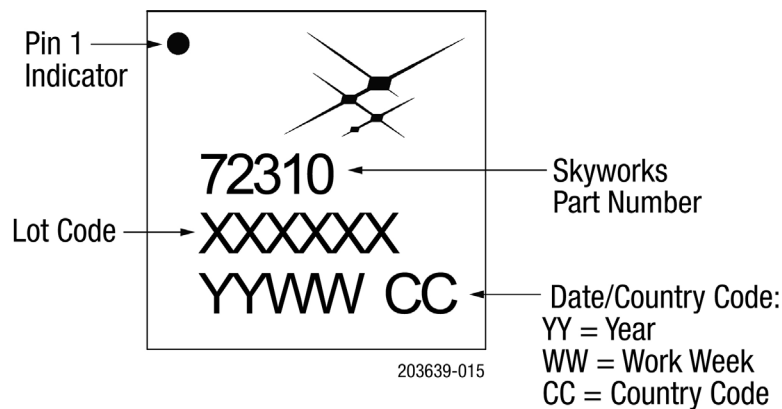
Typical part markings for the SKY72310-11 are shown in Figure 15. The PCB layout footprint is shown in Figure 16. Package dimensions are shown in Figure 17, and tape and reel dimensions are provided in Figure 18.

### Package and Handling Information

Since the device package is sensitive to moisture absorption, it is baked and vacuum packed before shipping. Instructions on the shipping container label regarding exposure to moisture after the container seal is broken must be followed. Otherwise, problems related to moisture absorption may occur when the part is subjected to high temperature during solder assembly.

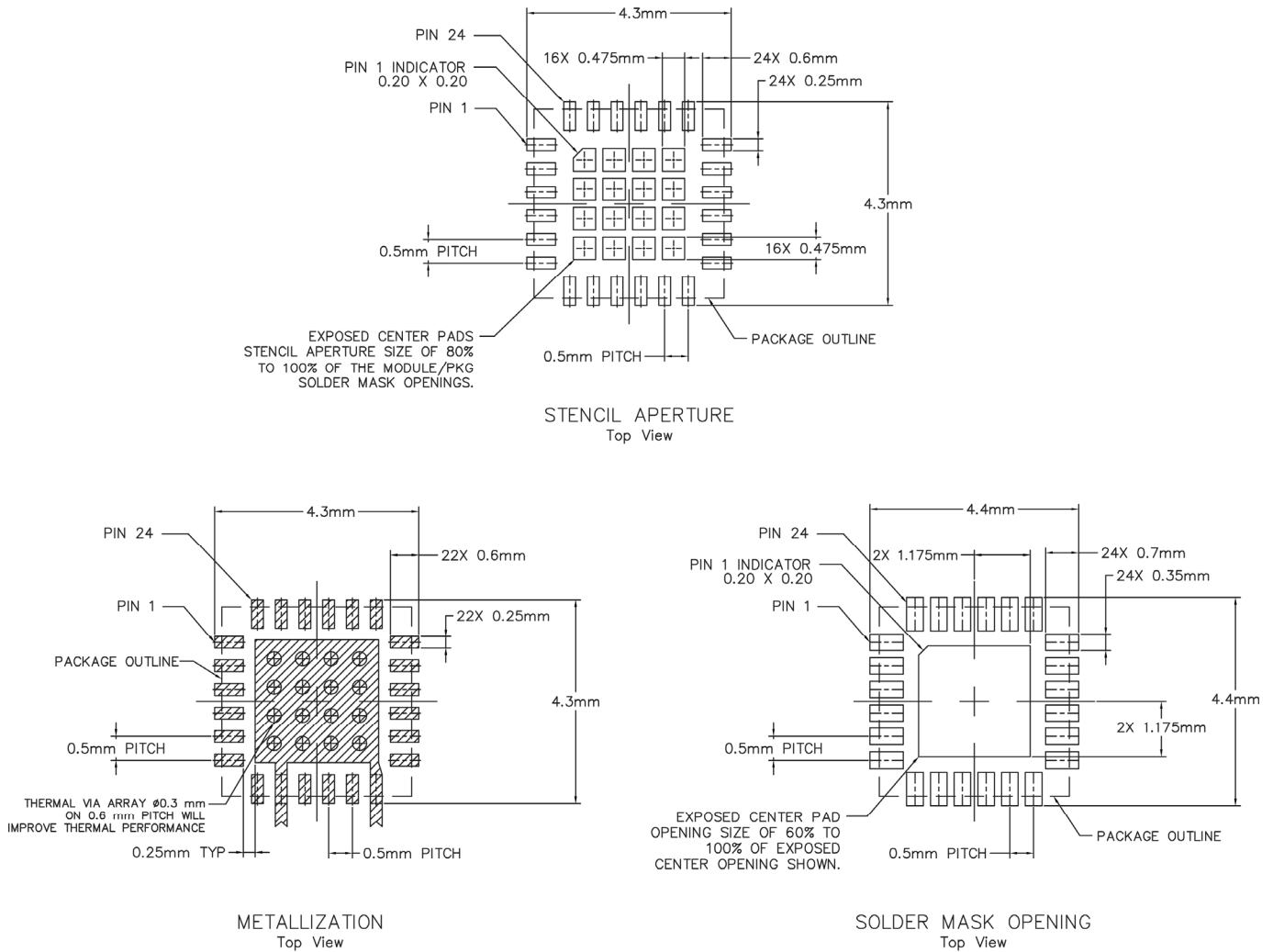
The SKY72310-11 is rated to Moisture Sensitivity Level 3 (MSL3) at 260 °C. It can be used for lead or lead-free soldering.

Care must be taken when attaching this product, whether it is done manually or in a production solder reflow environment. Production quantities of this product are shipped in a standard tape and reel format. For packaging details, refer to the Skyworks Application Note, *Tape and Reel*, document number 101568.



**Figure 15. SKY72310-11 Typical Part Markings**

**DATA SHEET • SKY72310-11: SPUR-FREE, 50 MHz TO 2.1 GHz SINGLE FRACTIONAL-N FREQUENCY SYNTHESIZER**

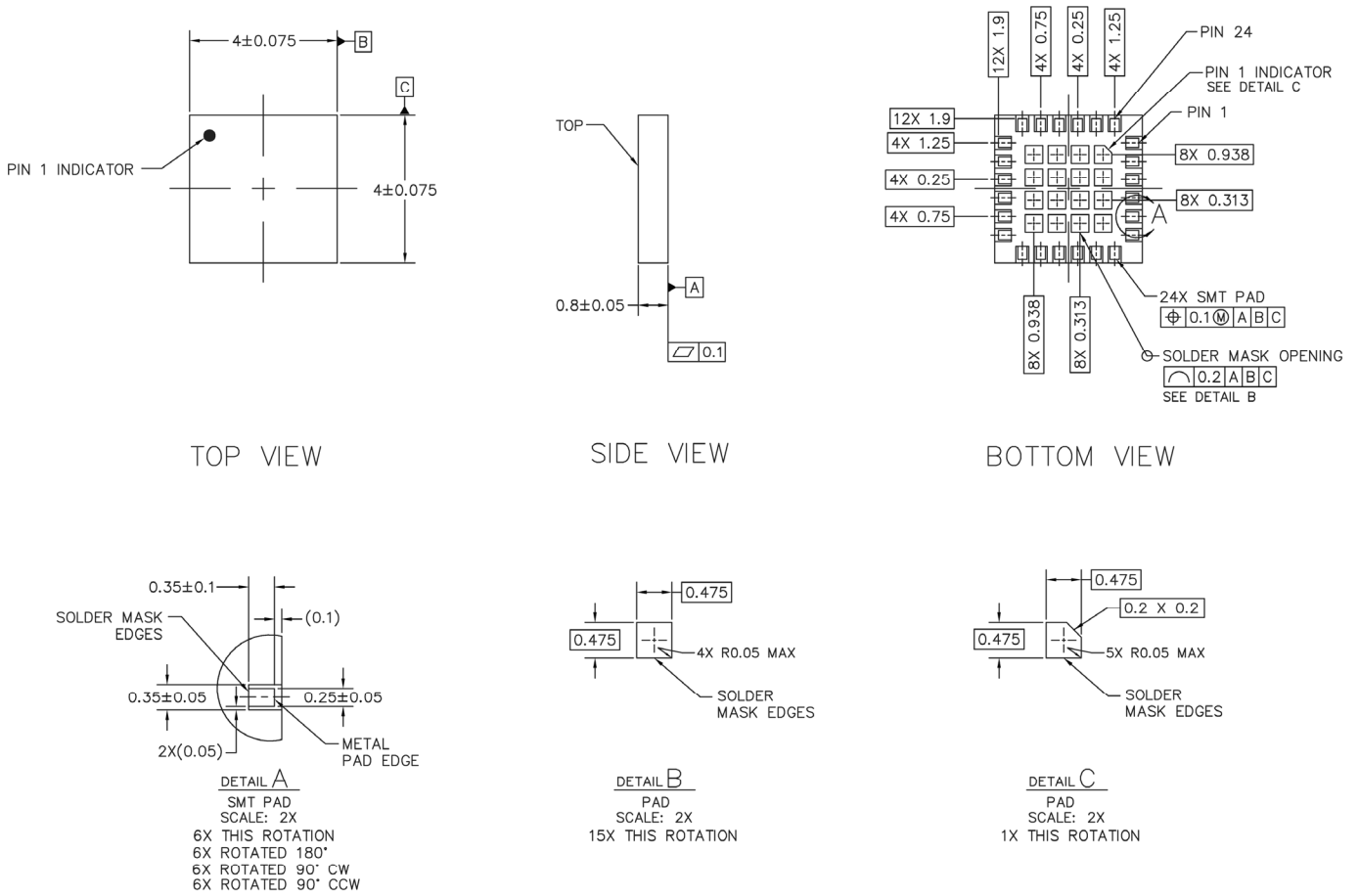


NOTE: THERMAL VIAS SHOULD BE RESIN FILLED AND CAPPED IN ACCORDANCE WITH IPC-4761 TYPE VII VIAS. 30-35UM Cu THICKNESS IS RECOMMENDED.

203639-016

**Figure 16. SKY72310-11 PCB Layout Footprint**

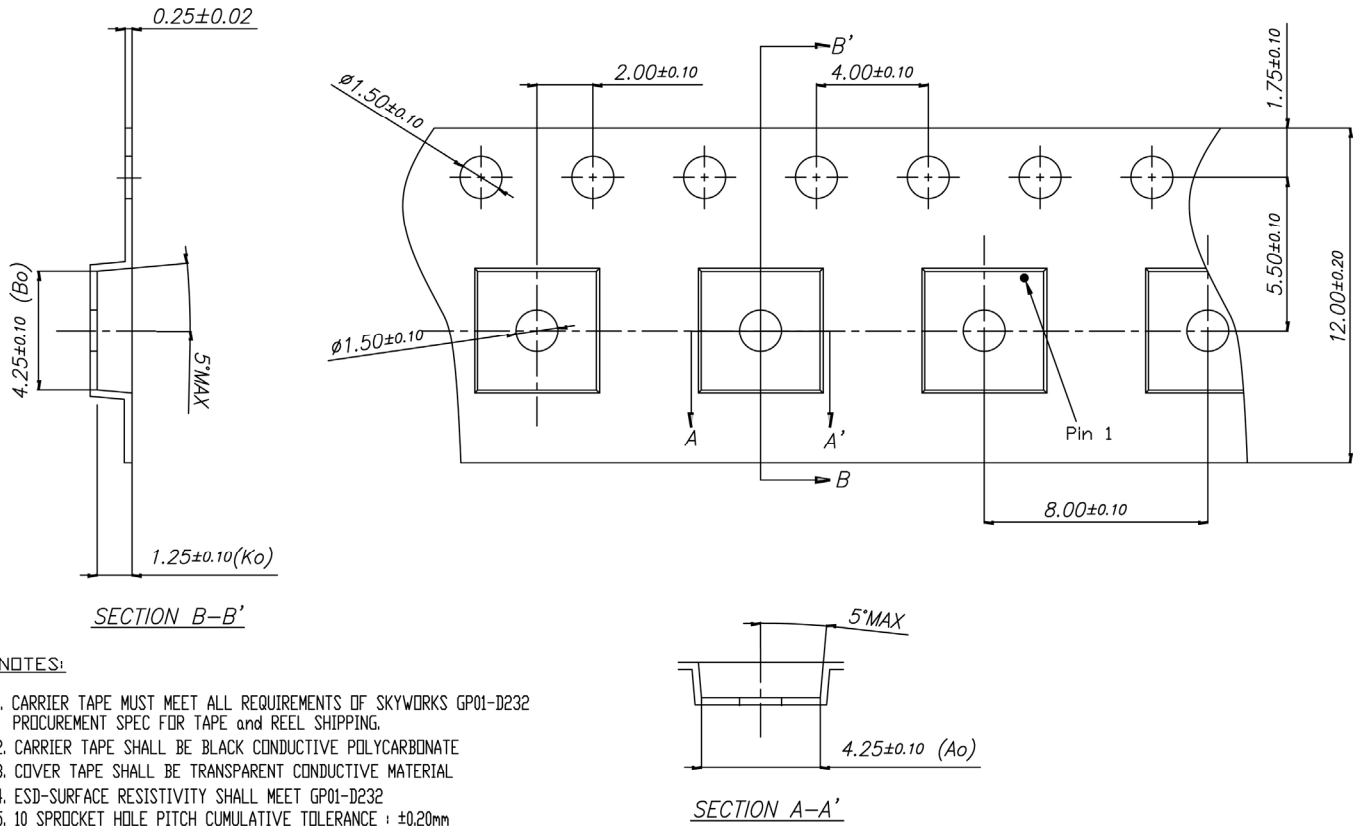
**DATA SHEET • SKY72310-11: SPUR-FREE, 50 MHz TO 2.1 GHz SINGLE FRACTIONAL-N FREQUENCY SYNTHESIZER**



- NOTES: UNLESS OTHERWISE SPECIFIED.
1. DIMENSIONING AND TOLERANCING IN ACCORDANCE WITH ASME Y14.5M-1994.
  2. DIMENSIONS ARE IN MILLIMETERS
  3. PAD DEFINITIONS PER DETAIL ON DRAWING.

203639-017

**Figure 17. SKY72310-11 Package Dimensions**



NOTES:

1. CARRIER TAPE MUST MEET ALL REQUIREMENTS OF SKYWORKS GP01-D232 PROCUREMENT SPEC FOR TAPE and REEL SHIPPING.
2. CARRIER TAPE SHALL BE BLACK CONDUCTIVE POLYCARBONATE
3. COVER TAPE SHALL BE TRANSPARENT CONDUCTIVE MATERIAL
4. ESD-SURFACE RESISTIVITY SHALL MEET GP01-D232
5. 10 SPROCKET HOLE PITCH CUMULATIVE TOLERANCE : ±0.20mm
6. Ao & Bo MEASURED ON PLANE 0.30mm ABOVE THE BOTTOM OF THE POCKET.
7. ALL DIMENSIONS ARE IN MILLIMETERS.

203639-018

**Figure 18. SKY72310-11 Tape and Reel Dimensions**