

DATA SHEET

SKY85601-21: 4.9 to 5.9 GHz SPDT Switch with Low-Noise Amplifier

Applications

- 802.11 a/n WLANs
- 5 GHz ISM radios
- Smartphones
- Notebooks, netbooks, tablets
- Routers, access points, gateways
- Wireless video systems

Features

- Low noise figure: 2.5 dB
- Frequency range: 4.9 to 5.9 GHz
- High IIP3: +6 dBm
- High gain: 12 dB
- Bypass mode with -5 dB insertion loss
- High transmit to receive isolation for high power applications
- Small QFN (16-pin, 2.5 x 2.5 mm) package (MSL1, 260 °C per JEDEC J-STD-020)



Skyworks Green™ products are compliant with all applicable legislation and are halogen-free. For additional information, refer to *Skyworks Definition of Green™*, document number SQ04-0074.

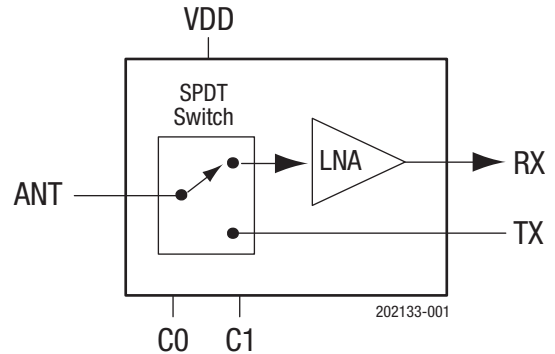


Figure 1. SKY85601-21 Block Diagram

Description

The SKY85601-21 is an integrated, single-pole double-throw (SPDT) switch with a low-noise amplifier (LNA) intended for wireless applications. The device has a low noise figure (NF) with high linearity in the transmit mode.

The SKY85601-21 operates at 3.3 V and draws 15 mA of current. In the transmit mode, a shutdown function saves power when the device is inactive. The switch requires five external components.

The switch is manufactured in a compact, 2.5 x 2.5 mm, 16-pin Quad Flat No-Lead (QFN) package. The small footprint provides the industry's smallest PCB area needed to implement an integrated broadband SPDT switch with LNA functionality.

A functional block diagram is shown in Figure 1. The pin configuration and package are shown in Figure 2. Signal pin assignments and functional pin descriptions are provided in Table 1.

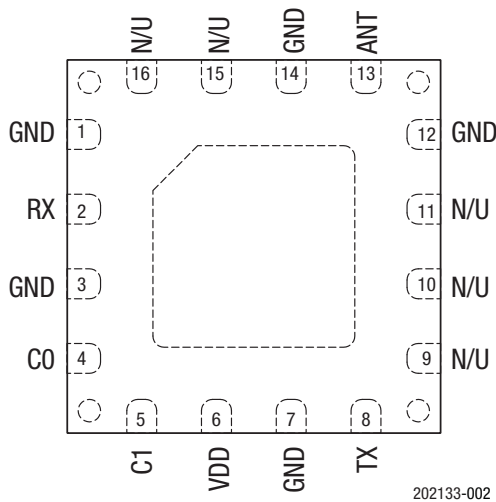


Figure 2. SKY85601-21 Pinout (Top View)

Table 1. SKY85601-21 Signal Descriptions

| Pin | Name | Description | Pin | Name | Description |
|-----|------|-----------------------------|-----|------|-------------------------|
| 1 | GND | Ground | 9 | N/U | Not used (open circuit) |
| 2 | RX | 5 GHz LNA output signal | 10 | N/U | Not used (open circuit) |
| 3 | GND | Ground | 11 | N/U | Not used (open circuit) |
| 4 | C0 | Switch control logic 1 | 12 | GND | Ground |
| 5 | C1 | Switch control logic 2 | 13 | ANT | 5 GHz antenna output |
| 6 | VDD | LNA supply voltage | 14 | GND | Ground |
| 7 | GND | Ground | 15 | N/U | Not used (open circuit) |
| 8 | TX | 5 GHz transmit input signal | 16 | N/U | Not used (open circuit) |

Electrical and Mechanical Specifications

The absolute maximum ratings of the SKY85601-21 are provided in Table 2. The recommended operating conditions are specified in Table 3 and electrical specifications are provided in Tables 4, 5, and 6.

Typical performance characteristics of the SKY85601-21 are illustrated in Figures 3 through 8.

Control logic for the SKY85601-21 SPDT switch is provided in Table 7.

Table 2. SKY85601-21 Absolute Maximum Ratings¹

| Parameter | Symbol | Minimum | Maximum | Units |
|--|-------------------|---------|---------|-------|
| Supply voltage | V _{DD} | 3.0 | 3.6 | V |
| LNA power (receive mode) | P _{RX} | | +3 | dBm |
| Transmit input power (ANT terminated in 50 Ω match, OFDM signal modulated at MCS9 or less) | P _{TXIN} | | +26 | dBm |
| Switch logic control | C0, C1 | 0 | 3.6 | V |
| Storage temperature | T _{STG} | -40 | +125 | °C |

¹ Exposure to maximum rating conditions for extended periods may reduce device reliability. There is no damage to device with only one parameter set at the limit and all other parameters set at or below their nominal value. Exceeding any of the limits listed here may result in permanent damage to the device.

ESD HANDLING: Although this device is designed to be as robust as possible, electrostatic discharge (ESD) can damage this device. This device must be protected at all times from ESD when handling or transporting. Static charges may easily produce potentials of several kilovolts on the human body or equipment, which can discharge without detection. Industry-standard ESD handling precautions should be used at all times.

Table 3. SKY85601-21 Recommended Operating Conditions

| Parameter | Symbol | Min | Typ | Max | Units |
|---|-----------------|-----|-----|-----|-------|
| Supply voltage: LNA, bias, and driver stage | V _{DD} | 3.0 | | 3.6 | V |
| Operating temperature | T _A | -40 | +25 | +85 | °C |

Table 4. SKY85601-21 Electrical Specifications: Control Logic Characteristics¹
(VDD = 3.3 V, TA = +25 °C, Unless Otherwise Noted)

| Parameter | Symbol | Test Condition | Min | Typ | Max | Units |
|--------------------------------------|-------------------------|--|------|------|------|-------|
| Supply current, receive mode | I _{CC_802.11A} | C0 = 0 V, C1 = 3.3 V C0 = C1 = 0 V | | 15 | | mA |
| | | | | 0.02 | | mA |
| Supply current, off | I _{OFF} | No RF, C0 = C1 = 0 V, measured on VDD pin | | 20 | 70 | μA |
| Control voltage: High Low | V _{IH} | | 1.6 | | 3.6 | V |
| | V _{IL} | | -0.3 | | +0.3 | V |
| Control line current: High Low | I _{CC_H} | | | 2 | 10 | μA |
| | I _{CC_L} | | | - | 1 | μA |

¹ Performance is guaranteed only under the conditions listed in this table.**Table 5. SKY85601-21 Electrical Specifications: Receive AC Characteristics¹**
(C1 = 3.3 V, C0 = 0 V, TA = +25 °C, All Unused Ports Terminated With 50 Ω, Unless Otherwise Noted)

| Parameter | Symbol | Test Condition | Min | Typ | Max | Units |
|--|------------------------------------|---|------|------|------|-------|
| Frequency | f | | 4.90 | | 5.85 | GHz |
| Insertion loss | IL | Bypass mode: C0 = C1 = 0 V | | -5 | | dB |
| Receive gain | | High gain mode: 4.90 GHz to 5.20 GHz 5.20 GHz to 5.85 GHz | 11.0 | 13.0 | | dB |
| | | | 11.5 | 13.5 | | dB |
| Noise figure | NF | High gain mode | | 2.5 | | dB |
| TX to RX isolation | I _{SO_TR} | C0 = 3.3 V, C1 = 0 V | | 45 | | dB |
| Input return loss ² | S11 | @ ANT port | | 10 | | dB |
| Output return loss ² | S22 | @ RX output | | 8 | | dB |
| 1 dB input compression point | IP1dB | @ ANT port, high gain mode LNA bypass mode | | -5 | | dBm |
| | | | | +10 | | dBm |
| Interferer amplitude (maximum 2.4 GHz) | | 1 dB degradation of IP1dB | | | 0 | dBm |
| Transmit/receive switching speed | t _{ON} , t _{OFF} | C0 and C1 (50%) to RF output (10% or 90%) | | 300 | | ns |

¹ Performance is guaranteed only under the conditions listed in this table.² Refer to Figures 5 and 6.**Table 6. SKY85601-21 Electrical Specifications: Transmit AC Characteristics¹**
(C0 = 3.3 V, C1 = 0 V, TA = +25 °C, All Unused Ports Terminated With 50 Ω, Unless Otherwise Noted)

| Parameter | Symbol | Test Condition | Min | Typ | Max | Units |
|---------------------|-----------------|---|------|-------|------|-------|
| Frequency | f | | 4.90 | | 5.85 | GHz |
| Insertion loss | IL | | | -0.75 | | dB |
| Input return loss | S11 | @ TX input port | | -15 | | dB |
| Output return loss | S22 | @ ANT port | | -15 | | dB |
| Maximum input power | P _{IN} | Harmonic contribution from switch or LNA <-50 dBm/MHz OFDM, MCS9 or better | | | +23 | dBm |

¹ Performance is guaranteed only under the conditions listed in this table.

Typical Performance Characteristics
 (VDD = 3.3 V, TA = +25 °C, Unless Otherwise Noted)

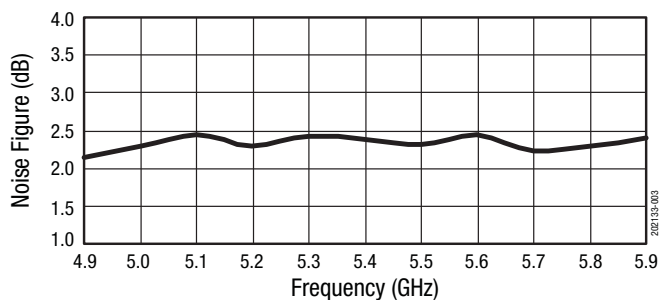


Figure 3. Noise Figure vs Frequency

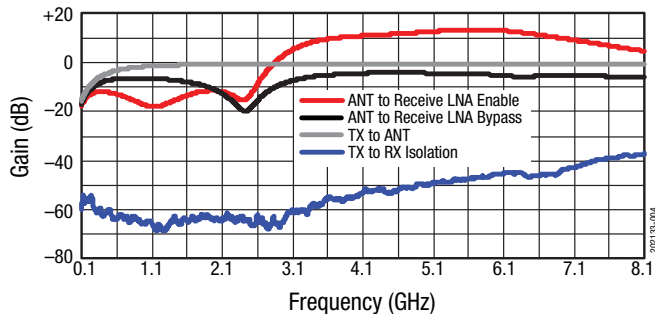


Figure 4. Small Signal Gain vs Frequency

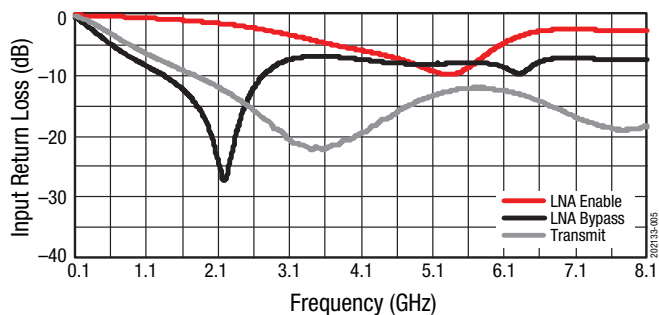


Figure 5. Input Return Loss vs Frequency

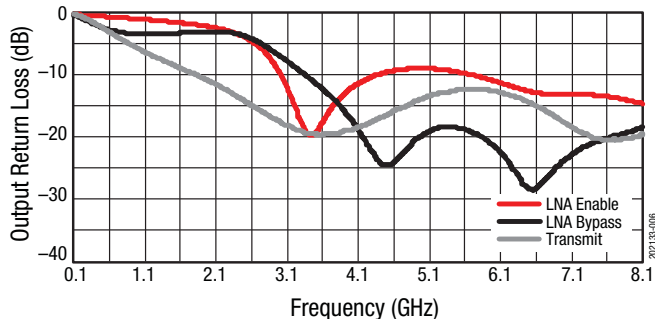


Figure 6. Output Return Loss vs Frequency

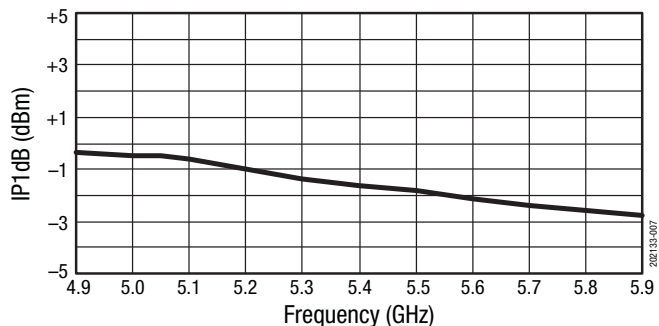


Figure 7. IP1dB vs Frequency

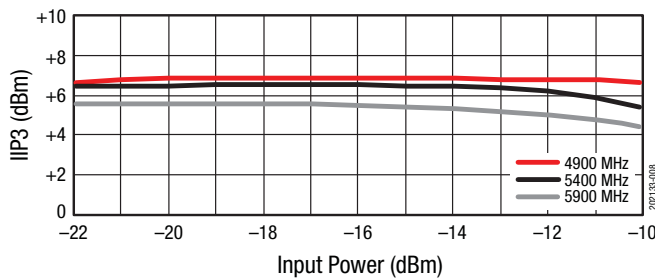


Figure 8. IIP3 vs Input Power

Table 7. SKY85601-21 Switch Control Logic

| ANT | C0 | C1 |
|----------------|-----|-----|
| Receive bypass | Off | Off |
| Receive LNA on | Off | On |
| Transmit on | On | Off |
| All off | On | On |

Note: "Off" = 0 V. "On" = +3.3 V.

Evaluation Board Description

The SKY85601-21 Evaluation Board is used to test the performance of the SKY85601-21 SPDT Switch. An Evaluation Board schematic diagram is provided in Figure 9. Table 8 provides the Bill of Materials (BOM) for Evaluation Board components. A photograph of the Evaluation Board is shown in Figure 10.

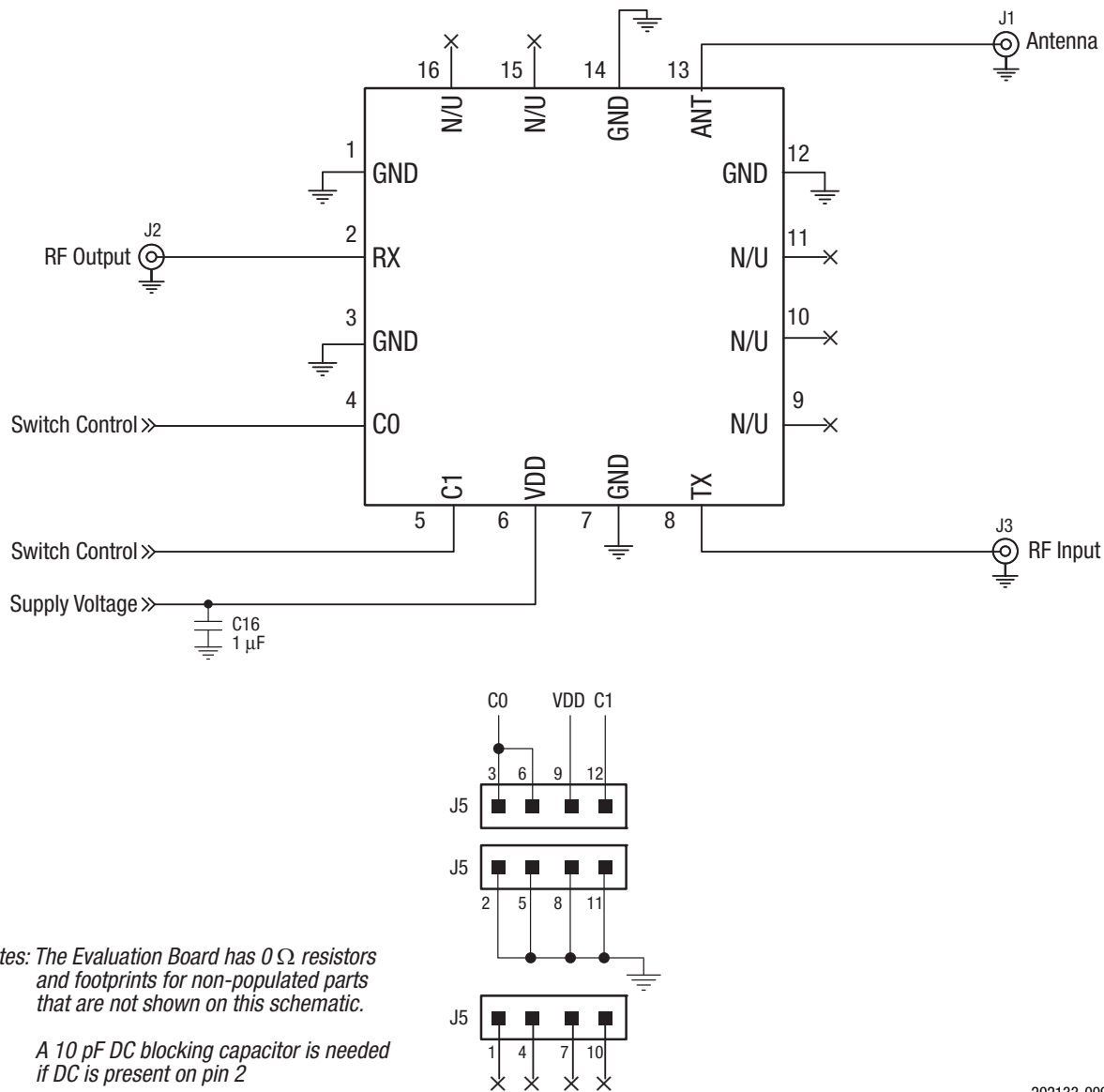
Evaluation Board Setup Procedure

1. Connect system ground to pin 2 of connector J5.
2. Apply 3.3 V to pin 9 of connector J5.
3. Test the RF paths as described by the control logic in Table 7.

Evaluation Board Losses

The board losses from the RF connectors of the Evaluation Board to the pins of the SKY85601-21 are shown below.

| Signal | Loss (dB) | | |
|--------|-----------|---------|---------|
| | 4.9 GHz | 5.4 GHz | 5.9 GHz |
| TX | 0.28 | 0.25 | 0.37 |
| RX | 0.15 | 0.19 | 0.20 |
| ANT | 0.15 | 0.19 | 0.20 |



202133-009

Figure 9. SKY85601-21 Evaluation Board Schematic

Table 8. SKY85601-21 Evaluation Board Bill of Materials

| Component | Value | Size | Vendor | Part Number | Description |
|------------|-------|------------|--------------------|-------------------|---|
| C8 | 0 Ω | 0402 | Panasonic | ERJ2GEJOR0 | Thick film chip resistor |
| C16 | 1 μF | 0402 | Murata | GRM155R60J105KE19 | Multilayer ceramic |
| J1, J2, J3 | SMA | End launch | Johnson Components | 142-0701-851 | SMA end launch straight jack receptacle |
| J5 | 4x3 | 100 mil | Samtec | TSW-104-07-G-T | 100 mil header |

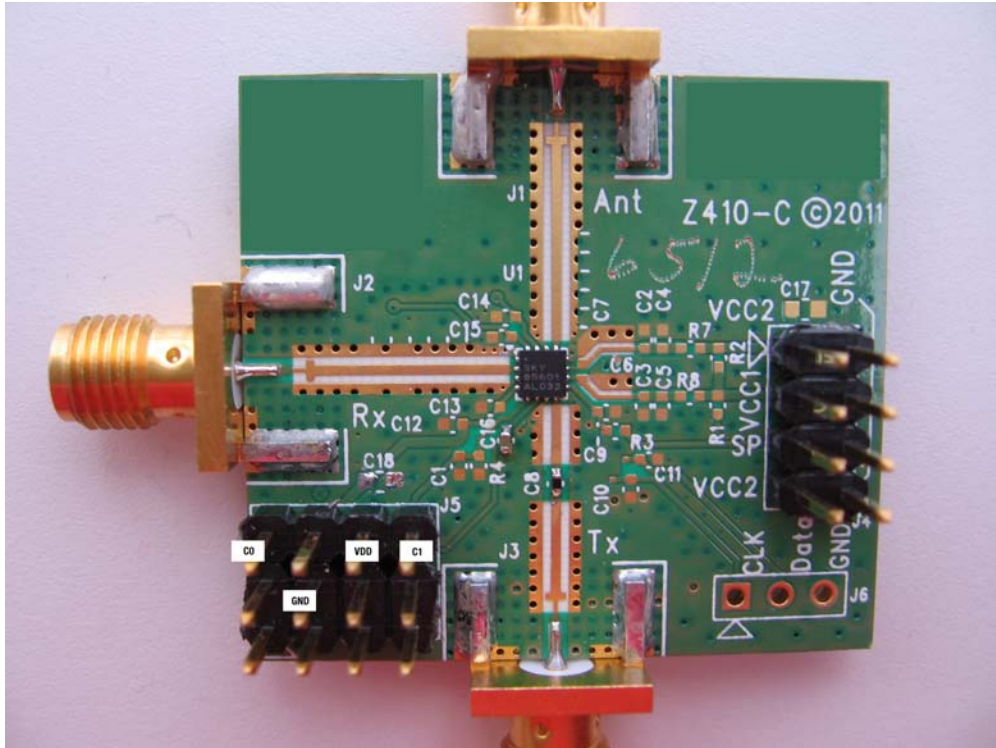


Figure 10. SKY85601-21 Evaluation Board

Package Dimensions

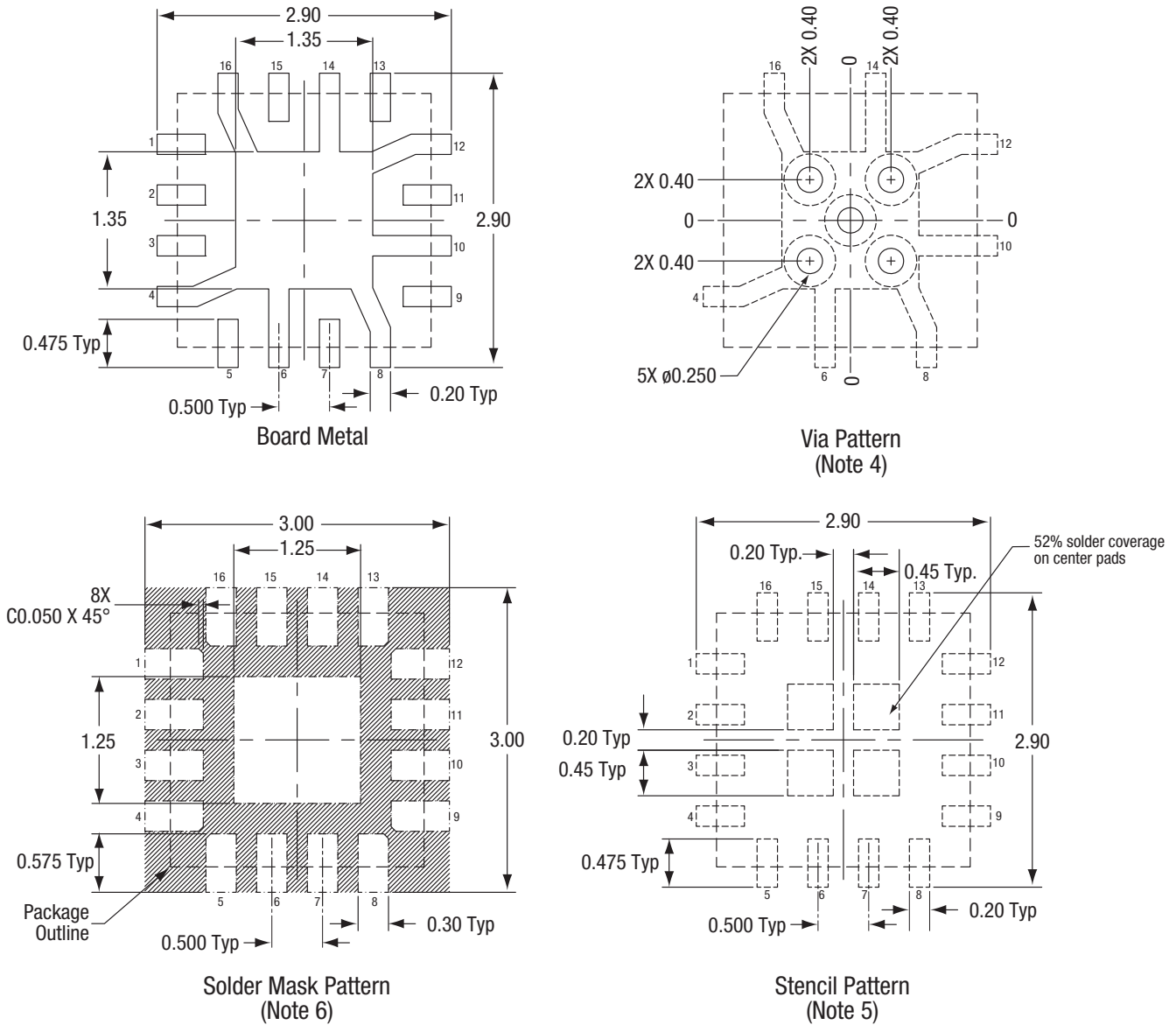
The PCB layout footprint for the SKY85601-21 is provided in Figure 11. Typical part markings are shown in Figure 12. Package dimensions are shown in Figure 13, and tape and reel dimensions are provided in Figure 14.

Package and Handling Information

Instructions on the shipping container label regarding exposure to moisture after the container seal is broken must be followed. Otherwise, problems related to moisture absorption may occur when the part is subjected to high temperature during solder assembly.

The SKY85601-21 is rated to Moisture Sensitivity Level 1 (MSL1) at 260 °C. It can be used for lead or lead-free soldering. For additional information, refer to the Skyworks Application Note, *Solder Reflow Information*, document number 200164.

Care must be taken when attaching this product, whether it is done manually or in a production solder reflow environment. Production quantities of this product are shipped in a standard tape and reel format.



Notes:

1. All dimensions are in millimeters
2. Dimensions and tolerances according to ASME Y14.5M-1994
3. Unless specified, dimensions are symmetrical about center lines.
4. Via hole recommendations: 0.025 mm Cu via wall plating (minimum), solder mask on the far side should tent or plug via holes.
5. Stencil recommendations: 0.10 mm stencil thickness, laser cut apertures, trapezoidal walls and rounded corners offer better paste release.
6. Solder mask recommendations: contact board fabricator for recommended solder mask offset and tolerance.

202133-011

Figure 11. SKY85601-21 PCB Layout Footprint (Top View)

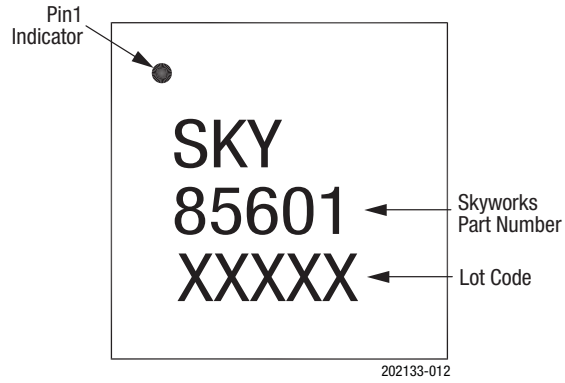
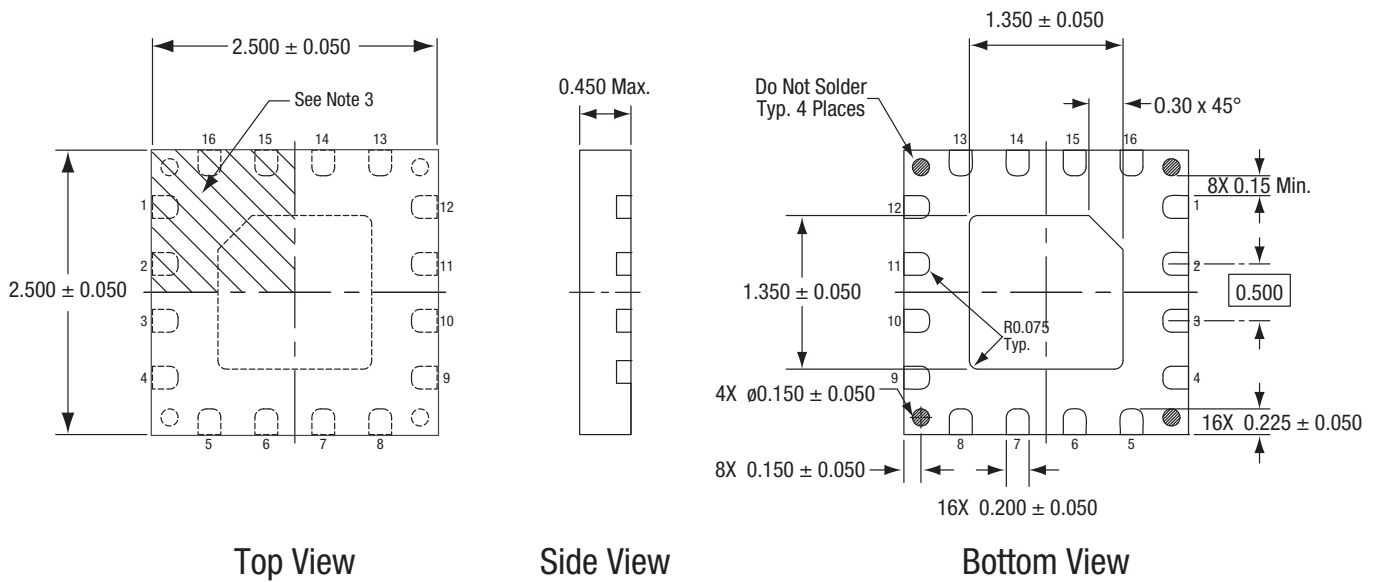


Figure 12. Typical Part Markings (Top View)



Top View

Side View

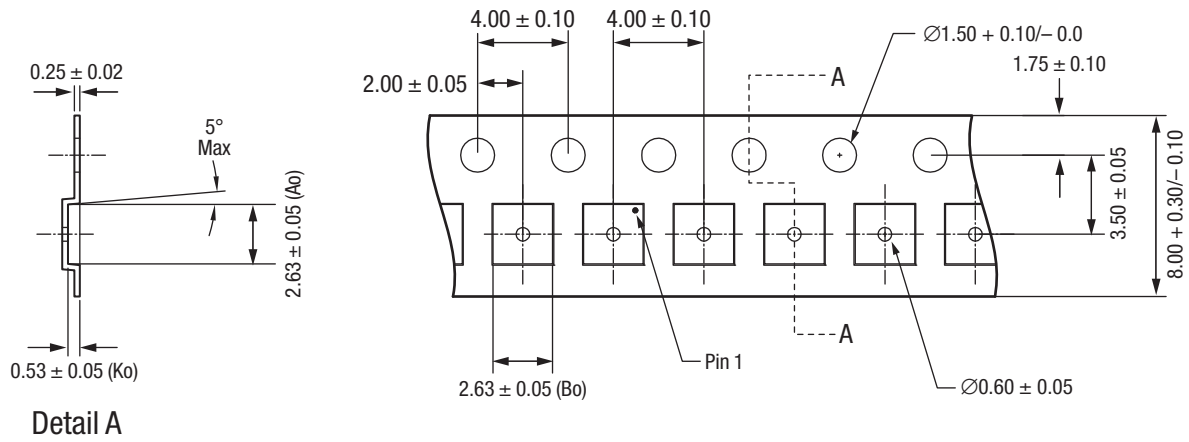
Bottom View

Notes:

1. All measurements are in millimeters.
2. Dimensions and tolerances according to ASME Y14.5M-1994.
Unless otherwise specified, the following values apply:
Decimal Tolerance: Angular Tolerance:
X.X (1 place) ± 0.1 mm ±1°
X.XX (2 places) ± 0.05 mm
X.XXX (3 places) ± 0.025 mm
3. Terminal #1 identification mark located within marked area.
4. Unless specified, dimensions are symmetrical about center lines.

202133-013

Figure 13. SKY85601-21 Package Dimensions



Detail A

Notes:

1. 10 sprocket hole pitch cumulative tolerance ±0.2 mm.
2. Pocket position relative to sprocket hole; measure as true position of pocket, not pocket hole.
3. Carrier tape: black conductive polycarbonate.
4. Cover tape material: transparent conductive material with 5.4 mm width.
5. All measurements are in millimeters.

202133-014

Figure 14. SKY85601-21 Tape and Reel Dimensions