

### RoHS SL1122A Series Hybrid



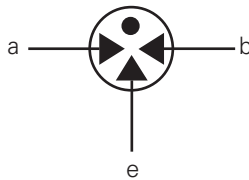
#### Description

The SL1122A series Hybrid features a high performance Alpha Gas Plasma Tube in conjunction with a MOV. These devices are matched so that high speed pulses are initially clamped by the MOV, then as the current rises, the transient energy is switched through the gas tube. The Hybrid offers high levels of performance on fast rising transients in the domain of 100V/μs to 10 kV/μs, so eliminates the dv/dt switching delay normally exhibited by standard GDTs. These devices are extremely robust and are able to divert a 10,000 Amp pulse without destruction.

#### Agency Approvals

AGENCY	AGENCY FILE NUMBER
	E128662

#### 2 Electrode GDT Graphical Symbol



a = TIP  
 b = RING  
 e = GROUND  
 (centre electrode)

#### Features

- RoHs Compliant
- Excellent response to fast rising transients
- Flat response up to 10kV/μs
- 10kA surge capability tested with 8/20μs pulse as defined by IEC 61000-4-5
- Thermal failsafe

#### Applications

- MDF protection
- ADSL equipment
- XDSL equipment
- Alarm panels
- General telecom equipment

#### Electrical Characteristics

Part Number	Device Specifications (at 25°C)						Life Ratings				
	DC Breakdown in Volts <sup>1,2</sup> (@100V/s)			DC Voltage <sup>2</sup> (1kV/μs Ignition Time)	Insulation Resistance	Capacitance (@1MHz, 0V bias, 1V oscillation)	Arc Voltage (on state voltage) @1Amp Min	Surge Life <sup>1</sup> (10/1000μs 300x +/-)	Surge Current <sup>1</sup> (8/20μs x 10)	Nominal AC Discharge Current <sup>1</sup> (10x1s@50Hz)	DC Holdover Voltage (<150msecs.)
	MIN	TYP	MAX		MIN	MAX	TYP				TYP
SL1122A090	72	90	108	200 (< 10μs)	> 10 <sup>8</sup> Ω (at 50V)	270 pF	~10 to 35 Volts	200 A	10 kA	10 A	50 V
SL1122A230	184	230	276	350 (< 10μs)	> 10 <sup>8</sup> Ω (at 100V)	100 pF					135 V
SL1122A260	210	260	310	400 (< 10μs)							

Tested in accordance with ITU-T Rec K.12

Notes:

1. Total current through centre electrode
2. Maximum Peak Break Over Voltage

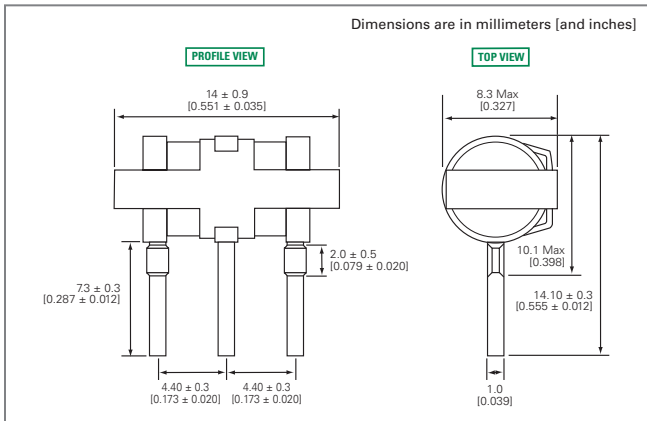
### Product Characteristics

<b>Materials</b>	<b>Electrode Base:</b> Nickel Iron Alloy <b>Electrode Plating:</b> Bright Tin <b>Body:</b> Ceramic
<b>Product Marking</b>	Littelfuse 'LF' Mark, voltage and date code. Red.

<b>Glow to Arc Transition Current</b>	~1 Amp
<b>Glow Voltage</b>	~60 to 200 Volts
<b>Storage and Operational Temperature</b>	-40 to +90°C
<b>Transverse Voltage (Delay Time)</b>	< 0.2 μSec. (Tested to ITU-T Rec.K.12)

### Device Dimensions

#### Radial Lead Devices



### Packaging Dimensions

For Radial Lead Items: Packed in tray (100 pcs)

### Part Numbering System and Ordering Information

